

Type 3 surge protection device - MNT-TAE D - 2882381

Please be informed that the data shown in this PDF Document is generated from our Online Catalog. Please find the complete data in the user's documentation. Our General Terms of Use for Downloads are valid (<http://phoenixcontact.com/download>)

Socket attachment plug with surge protection for the power supply and signal connection of an end device with analog or digital telecommunications interface (VDSL up to 50 Mbps, on short paths (< 300 m) up to 80 Mbps). Cable is included.




Your advantages

- ✓ Easy operation
- ✓ Thermal monitoring of the protective circuit
- ✓ Compact protection for termination devices
- ✓ Green LED - operating indicator for the power supply



Key Commercial Data

Packing unit	1 pc
GTIN	 4 046356 073455
GTIN	4046356073455

Technical data

Dimensions

Height	103 mm
Width	63 mm
Depth	78 mm

Ambient conditions

Ambient temperature (operation)	-25 °C ... 75 °C
Ambient temperature (storage/transport)	-25 °C ... 75 °C

General

Housing material	PA 6
Flammability rating according to UL 94	V-0
Color	jet black RAL 9005
For country-specific use in	D

Type 3 surge protection device - MNT-TAE D - 2882381

Technical data

General

Mounting type	Plugging into the mains socket
Type	Attachment plug
Direction of action	L/N-PE & Signal Line-Earth Ground

Protective circuit, power supply

EN type	T3
Nominal voltage U_N	230 V AC
Arrester rated voltage U_C (L-N)	275 V AC
Arrester rated voltage U_C (L-PE)	360 V AC
Arrester rated voltage U_C (N-PE)	360 V AC
Nominal frequency f_N	50 Hz (60 Hz)
Rated load current I_L	16 A (30 °C)
Standby power consumption P_C	≤ 1 VA
Residual current I_{PE}	≤ 5 μ A
Nominal discharge current I_n (8/20) μ s	3 kA (> 5x)
Combination wave U_{OC}	4 kV
Energy absorption symmetrical	140 J (L-N)
Energy absorption, asymmetrical	220 J (L(N)-PE)
Voltage protection level U_p (L-N)	≤ 1.2 kV
Voltage protection level U_p (L-PE)	≤ 1.5 kV
Voltage protection level U_p (N-PE)	≤ 1.5 kV
Response time (L-N)	≤ 25 ns
Response time (L-PE)	≤ 100 ns
Response time (N-PE)	≤ 100 ns
Surge protection fault message	optical
Max. required back-up fuse	16 A (gG / B / C)

Connection (protective circuit, power supply)

Connection method	Grounding plug/socket
Connection method IN	Grounding plug
Connection method OUT	Grounding socket

Protective circuit, information technology

Arrester rated voltage U_C	200 V DC
Rated current	150 mA (25 °C)
Operating effective current I_C at U_C	≤ 150 μ A
Residual current I_{PE}	≤ 2 μ A
Insulation resistance R_{ISO}	≥ 1 M Ω
	≥ 1 G Ω
Nominal discharge current I_n (8/20) μ s (line-line)	1 kA
Nominal discharge current I_n (8/20) μ s (line-earth)	2.5 kA

Type 3 surge protection device - MNT-TAE D - 2882381

Technical data

Protective circuit, information technology

Max. discharge current I_{max} (8/20) μ s	2.5 kA
Voltage protection level U_p (line-line)	\leq 460 V (C2 - 1 kA)
	\leq 350 V (C3 - 25 A)
Voltage protection level U_p (line-earth)	\leq 900 V (C2 - 2 kA)
	\leq 900 V (C3 - 100 A)
Response time t_A (line-line)	\leq 25 ns
Response time t_A (line-earth)	\leq 100 ns
Cut-off frequency f_g (3 dB), sym. in 100 Ohm system	typ. 4 MHz
Cut-off frequency f_g (3 dB), sym. in 150 Ohm system	typ. 3 MHz
Cut-off frequency f_g (3 dB), sym. in 600 Ohm system	typ. 700 kHz
Capacity (line-line)	typ. 1 nF
Capacity (line-earth)	typ. 5 pF
Output voltage limitation at 1 kV/ μ s (wire-wire)	\leq 360 V
Residual voltage at I_n (line-line)	\leq 500 V
Residual voltage at I_n (line-earth)	\leq 30 V
Residual voltage with I_{an} (10/1000) μ s (line-line)	\leq 35 V
Residual voltage with I_{an} (10/1000) μ s (line-earth)	\leq 35 V
Impulse durability (line-line)	C2 - 2 kV / 1 kA
	C3 - 25 A
Impulse durability (line-earth)	C2 - 4 kV / 2 kA
	C3 - 100 A
	D1 - 500 A
Alternating current carrying capacity (line-line)	250 mA - 1 s
Alternating current carrying capacity (line-earth)	10 A - 1 s
Pulse reset time (line-line)	\leq 15 ms

Power supply, general

Connection method	RJ12-/TAE 6
Connection method IN	RJ12 female connector
Connection method OUT	TAE 6 socket

Connection, equipotential bonding, information technology

Connection method	Via protective contact plug
-------------------	-----------------------------

Standards (protective circuit, information technology)

IEC test classification	C1
	C2
	C3
	D1

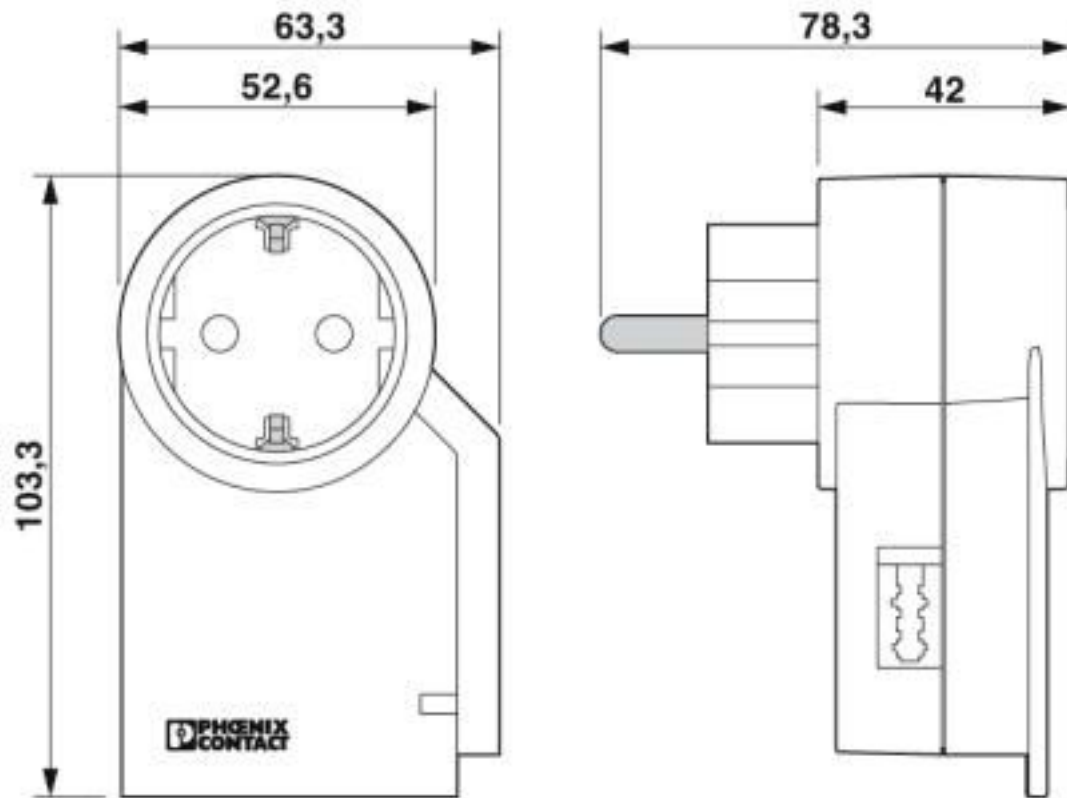
Environmental Product Compliance

REACH SVHC	Lead 7439-92-1
------------	----------------

Type 3 surge protection device - MNT-TAE D - 2882381

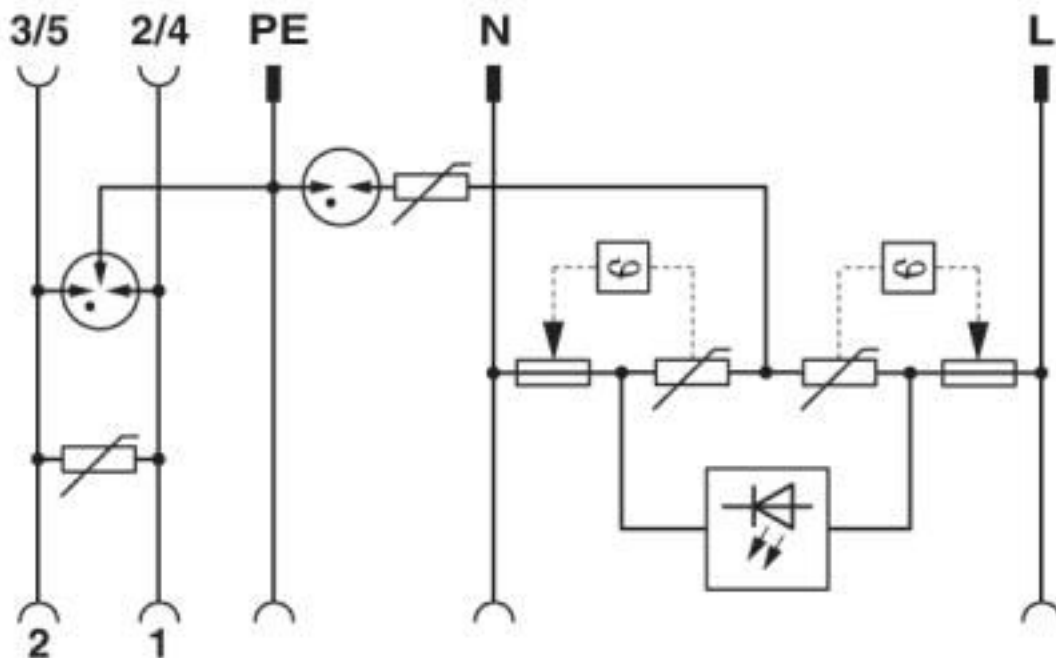
Drawings

Dimensional drawing



Type 3 surge protection device - MNT-TAE D - 2882381

Circuit diagram



Classifications

eCl@ss

eCl@ss 10.0.1	27130810
eCl@ss 4.0	27130800
eCl@ss 4.1	27130800
eCl@ss 5.0	27130800
eCl@ss 5.1	27130800
eCl@ss 6.0	27130800
eCl@ss 7.0	27130810
eCl@ss 8.0	27130810
eCl@ss 9.0	27130810

ETIM

ETIM 2.0	EC001473
ETIM 3.0	EC001473
ETIM 4.0	EC001473
ETIM 5.0	EC001473
ETIM 6.0	EC001473
ETIM 7.0	EC001473

UNSPSC

UNSPSC 6.01	30212010
UNSPSC 7.0901	39121610

Type 3 surge protection device - MNT-TAE D - 2882381

Classifications

UNSPSC

UNSPSC 11	39121610
UNSPSC 12.01	39121610
UNSPSC 13.2	39121620
UNSPSC 18.0	39121620
UNSPSC 19.0	39121620
UNSPSC 20.0	39121620
UNSPSC 21.0	39121620

Approvals

Approvals

Approvals

EAC

Ex Approvals

Approval details

EAC		RU C- DE.*09.B.00169
-----	---	-------------------------

Phoenix Contact 2020 © - all rights reserved
<http://www.phoenixcontact.com>

PHOENIX CONTACT GmbH & Co. KG
Flachsmarktstr. 8
32825 Blomberg
Germany
Tel. +49 5235 300
Fax +49 5235 3 41200
<http://www.phoenixcontact.com>

X-ON Electronics

Largest Supplier of Electrical and Electronic Components

Click to view similar products for [Surge Suppressors](#) category:

Click to view products by [Phoenix Contact](#) manufacturer:

Other Similar products are found below :

[GUS1](#) [GUS12](#) [BSPM1A600D600LVR](#) [2800521](#) [29-2053](#) [GUS11](#) [GUS2](#) [GUS3](#) [GUS4](#) [30460](#) [SRA64C060X](#) [PC642C015](#) [1810-15-A3](#)
[2713175](#) [4B06B-EC1-150LF](#) [SRA6LC](#) [BPMA75D100LV](#) [CX06M](#) [CCTV1](#) [GUS13](#) [GUS14](#) [GUS5](#) [GUS6](#) [VAL-MS 320/3+0-FM](#) [VAL-US-](#)
[120/40/1+1-FM](#) [VAL-US-120/65/1+1-FM](#) [VAL-US-480D/30/3+0-FM](#) [VAL-US-120/40/1+0-FM](#) [STCHSP121BT1RU](#) [LP-BFDN-CW](#) [LP-](#)
[STRL-NFF](#) [LP-STRL-DFE](#) [GUS22](#) [0804111](#) [5053609](#) [5053201](#) [SPD2-150-1P0](#) [SPD2-550-1P0](#) [6720005416](#) [6720005417](#) [1-2191595-2](#)
[STC-CAT6-P0E-I](#) [SPD2-350-1P0](#) [FLT-CP-350-ST](#) [TTC-6P-3-HF-F-M-12DC-UT-I](#) [SMTPA200](#) [2800989](#) [2906776](#) [2906810](#) [2906847](#)