

## Surge protection device - DT-TELE-RJ45 - 2882925

Please be informed that the data shown in this PDF Document is generated from our Online Catalog. Please find the complete data in the user's documentation. Our General Terms of Use for Downloads are valid (<http://phoenixcontact.com/download>)




Attachment plug with surge protection for analog and digital telecommunications interfaces (VDSL up to 50 Mbps). Connection: RJ45 (RJ12/RJ11) and screw terminal block (COMBICON). Alternatively, can be snapped onto a DIN rail.

### Your advantages

- ✓ For analog and digital (DSL) telecommunications interface
- ✓ Connection: RJ45 socket and/or plug-in screw terminal blocks
- ✓ The adapter included enables conversion from RJ45 to RJ11 and RJ12
- ✓ DIN rail mounting possible by removing the cover cap
- ✓ International use thanks to multiple assignment



### Key Commercial Data

Packing unit	1 pc
GTIN	 4 046356 155137
GTIN	4046356155137

### Technical data

#### Dimensions

Height	102 mm
Width	25 mm
Depth	63.5 mm

#### Ambient conditions

Ambient temperature (operation)	-40 °C ... 85 °C
Ambient temperature (storage/transport)	-40 °C ... 85 °C
Degree of protection	IP20

#### General

Housing material	Zinc die-cast
Color	silver/black
Mounting type	Connection-specific attachment plug and DIN rail, 35 mm

# Surge protection device - DT-TELE-RJ45 - 2882925

## Technical data

### General

Type	Attachment plug for DIN rail mounting
Number of positions	4
Direction of action	Line-Line & Line-Ground/Shield

### Protective circuit

IEC test classification	B2
	C1
	C2
	C3
	D1
Maximum continuous voltage $U_C$	185 V DC
	130 V AC
Rated current	$\leq 380$ mA (25 °C)
Operating effective current $I_C$ at $U_C$	$\leq 6$ $\mu$ A
Residual current $I_{PE}$	$\leq 4$ $\mu$ A
Nominal discharge current $I_n$ (8/20) $\mu$ s (line-line)	$\leq 5$ kA
Nominal discharge current $I_n$ (8/20) $\mu$ s (line-earth)	$\leq 5$ kA
Total discharge current $I_{total}$ (8/20) $\mu$ s	10 kA
Nominal pulse current $I_{an}$ (10/1000) $\mu$ s (line-line)	100 A
Nominal pulse current $I_{an}$ (10/1000) $\mu$ s (line-earth)	100 A
Nominal pulse current $I_{an}$ (10/700) $\mu$ s (line-line)	150 A
Nominal pulse current $I_{an}$ (10/700) $\mu$ s (line-earth)	150 A
Output voltage limitation at 1 kV/ $\mu$ s (line-line) static	$\leq 250$ V
Output voltage limitation at 1 kV/ $\mu$ s (line-earth) static	$\leq 250$ V
Residual voltage at $I_n$ (line-line)	$\leq 120$ V
Residual voltage at $I_n$ (line-earth)	$\leq 120$ V
Voltage protection level $U_p$ (line-line)	$\leq 250$ V (B2 - 4 kV / 100 A)
	$\leq 250$ V (C1 - 1 kV/500 A)
	$\leq 250$ V (C2 - 10 kV / 5 kA)
Voltage protection level $U_p$ (line-earth)	$\leq 250$ V (B2 - 4 kV / 100 A)
	$\leq 250$ V (C1 - 1 kV/500 A)
	$\leq 250$ V (C2 - 10 kV / 5 kA)
Response time $t_A$ (line-line)	$\leq 100$ ns
Response time $t_A$ (line-earth)	$\leq 100$ ns
Input attenuation aE, sym.	typ. 0.5 dB ( $\leq 5$ MHz / 100 $\Omega$ )
	typ. 0.3 dB ( $\leq 8$ MHz / 150 $\Omega$ )
	typ. 0.3 dB ( $\leq 2.5$ MHz / 600 $\Omega$ )
Cut-off frequency $f_g$ (3 dB), sym. in 100 Ohm system	typ. 50 MHz
Capacity (line-line)	typ. 20 pF (f= 1 MHz / VR= 0 V)
Capacity (line-earth)	typ. 20 pF (f= 1 MHz / VR= 0 V)
Resistance per path	3.3 $\Omega$ 10 %

# Surge protection device - DT-TELE-RJ45 - 2882925

## Technical data

### Protective circuit

Surge protection fault message	none
Impulse durability (line-line)	B2 - 4 kV / 100 A
	C1 - 1 kV / 500 A
	C2 - 10 kV / 5 kA
Impulse durability (line-earth)	B2 - 4 kV / 100 A
	C1 - 1 kV / 500 A
	C2 - 10 kV / 5 kA
	D1 - 1 kA

### Connection data

Connection method	RJ45/COMBICON
Connection method IN	RJ45 socket
	MC 1,5/4
Connection method OUT	RJ45 socket
	MC 1,5/4
Connection technology	Screw connection
Screw thread	M2
Tightening torque	0.22 Nm
Stripping length	7 mm
Conductor cross section flexible	0.14 mm <sup>2</sup> ... 1.5 mm <sup>2</sup>
Conductor cross section solid	0.14 mm <sup>2</sup> ... 1.5 mm <sup>2</sup>
Conductor cross section AWG	28 ... 16

### Connection, equipotential bonding

Connection method	DIN rail NS35
-------------------	---------------

### Standards and Regulations

Standards/specifications	IEC 61643-21 2012
	EN 61643-21 2013

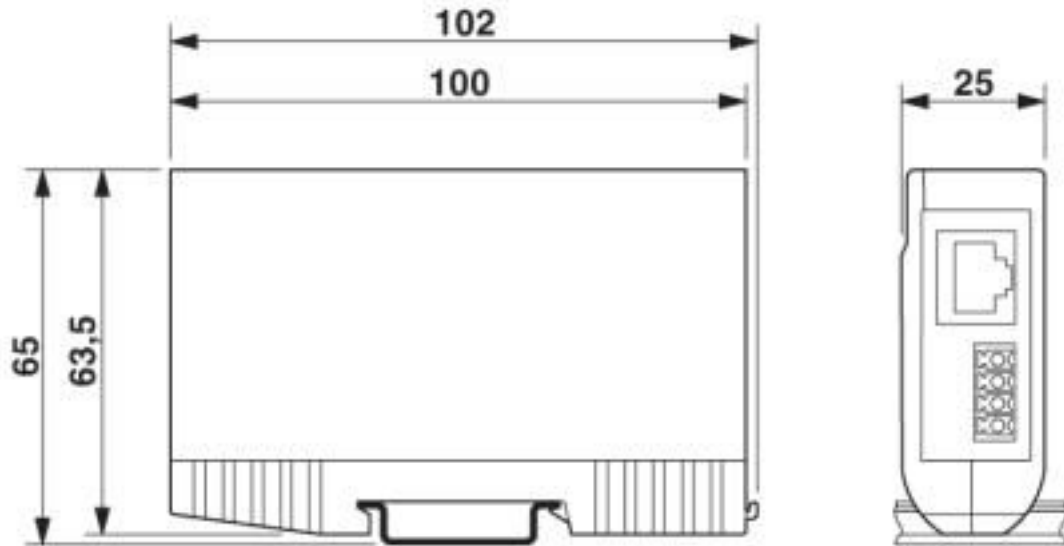
### Environmental Product Compliance

REACH SVHC	Lead 7439-92-1
China RoHS	Environmentally Friendly Use Period = 50 years
	For details about hazardous substances go to tab "Downloads", Category "Manufacturer's declaration"

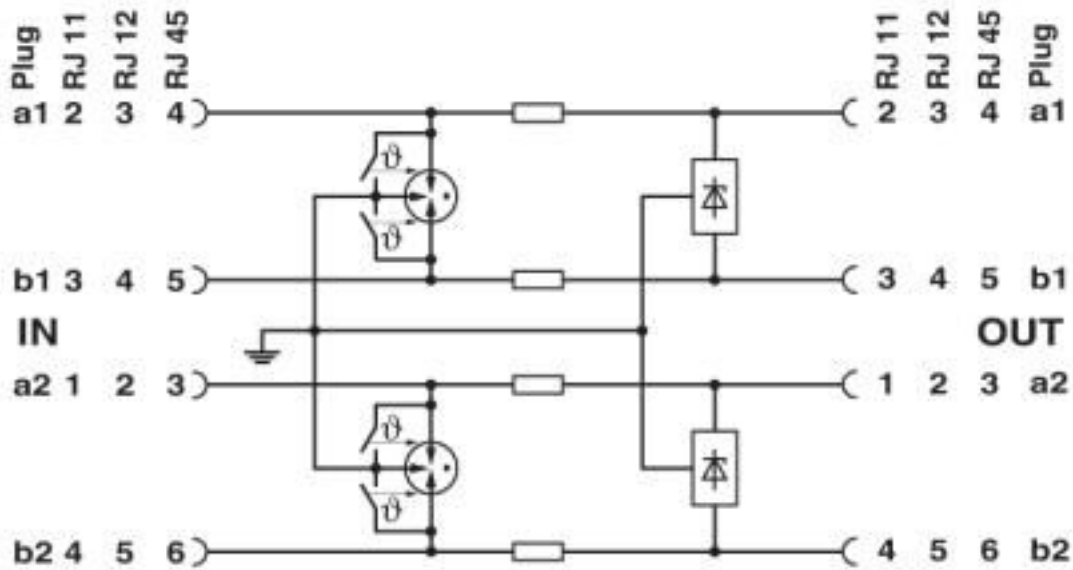
## Drawings

# Surge protection device - DT-TELE-RJ45 - 2882925

Dimensional drawing



Circuit diagram



## Classifications

eCl@ss

eCl@ss 10.0.1	27130807
eCl@ss 4.0	27130800
eCl@ss 4.1	27130800
eCl@ss 5.0	27130800
eCl@ss 5.1	27130800
eCl@ss 6.0	27130800

# Surge protection device - DT-TELE-RJ45 - 2882925

## Classifications

### eCl@ss

eCl@ss 7.0	27130807
eCl@ss 8.0	27130807
eCl@ss 9.0	27130807

### ETIM

ETIM 2.0	EC000943
ETIM 3.0	EC000943
ETIM 4.0	EC000943
ETIM 5.0	EC000943
ETIM 6.0	EC000943
ETIM 7.0	EC000943

### UNSPSC

UNSPSC 6.01	30212010
UNSPSC 7.0901	39121610
UNSPSC 11	39121610
UNSPSC 12.01	39121610
UNSPSC 13.2	39121620
UNSPSC 18.0	39121620
UNSPSC 19.0	39121620
UNSPSC 20.0	39121620
UNSPSC 21.0	39121620

## Approvals

### Approvals

Approvals

EAC / EAC

Ex Approvals

### Approval details

EAC		EAC-Zulassung
-----	---	---------------

## Surge protection device - DT-TELE-RJ45 - 2882925

### Approvals

EAC



RU C-  
DE.\*09.B.00169

### Accessories

#### Accessories

#### Patch cable

Patch cable - FL CAT6 PATCH 1,5 - 2891482



Patch cable, CAT6, pre-assembled, 1.5 m

---

Phoenix Contact 2020 © - all rights reserved  
<http://www.phoenixcontact.com>

PHOENIX CONTACT GmbH & Co. KG  
Flachsmarktstr. 8  
32825 Blomberg  
Germany  
Tel. +49 5235 300  
Fax +49 5235 3 41200  
<http://www.phoenixcontact.com>

## X-ON Electronics

Largest Supplier of Electrical and Electronic Components

*Click to view similar products for [Surge Suppressors](#) category:*

*Click to view products by [Phoenix Contact](#) manufacturer:*

Other Similar products are found below :

[GUS1](#) [GUS12](#) [BSPM1A600D600LVR](#) [2800521](#) [29-2053](#) [GUS11](#) [GUS2](#) [GUS3](#) [GUS4](#) [30460](#) [SRA64C060X](#) [PC642C015](#) [1810-15-A3](#)  
[2713175](#) [4B06B-EC1-150LF](#) [SRA6LC](#) [BPMA75D100LV](#) [CX06M](#) [CCTV1](#) [GUS13](#) [GUS14](#) [GUS5](#) [GUS6](#) [VAL-MS 320/3+0-FM](#) [VAL-US-](#)  
[120/40/1+1-FM](#) [VAL-US-120/65/1+1-FM](#) [VAL-US-480D/30/3+0-FM](#) [VAL-US-120/40/1+0-FM](#) [STCHSP121BT1RU](#) [LP-BFDN-CW](#) [LP-](#)  
[STRL-NFF](#) [LP-STRL-DFE](#) [GUS22](#) [0804111](#) [5053609](#) [5053201](#) [SPD2-150-1P0](#) [SPD2-550-1P0](#) [6720005416](#) [6720005417](#) [1-2191595-2](#)  
[STC-CAT6-P0E-I](#) [SPD2-350-1P0](#) [FLT-CP-350-ST](#) [TTC-6P-3-HF-F-M-12DC-UT-I](#) [SMTPA200](#) [2800989](#) [2906776](#) [2906810](#) [2906847](#)