

Mounting plate - FL PA SFNT 5-8 - 2891012

Please be informed that the data shown in this PDF Document is generated from our Online Catalog. Please find the complete data in the user's documentation. Our General Terms of Use for Downloads are valid (<http://phoenixcontact.com/download>)




Mounting plate for SFNT switches

Product Description

Mounting plate for 5- and 8-port SFNT switches



Key Commercial Data

| | |
|--------------|---|
| Packing unit | 1 pc |
| GTIN |  4 046356 587075 |
| GTIN | 4046356587075 |

Technical data

Dimensions

| | |
|--------|--------|
| Width | 140 mm |
| Height | 130 mm |

General

| | |
|------------|-------|
| Net weight | 224 g |
|------------|-------|

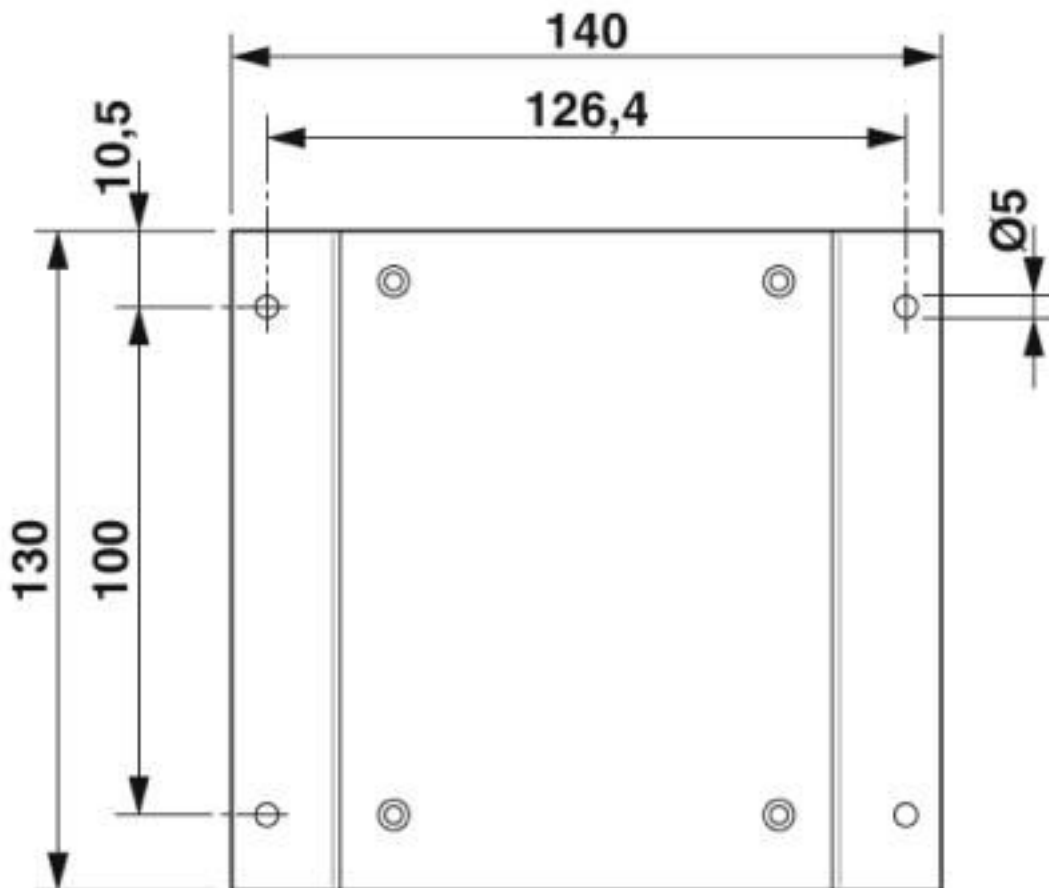
Environmental Product Compliance

| | |
|------------|---|
| China RoHS | Environmentally friendly use period: unlimited = EFUP-e |
| | No hazardous substances above threshold values |

Drawings

Mounting plate - FL PA SFNT 5-8 - 2891012

Dimensional drawing



Classifications

eCl@ss

| | |
|------------|----------|
| eCl@ss 4.0 | 27378000 |
| eCl@ss 4.1 | 27378000 |
| eCl@ss 5.0 | 27379100 |
| eCl@ss 5.1 | 27379100 |
| eCl@ss 6.0 | 27189200 |
| eCl@ss 7.0 | 27189234 |
| eCl@ss 8.0 | 27189234 |
| eCl@ss 9.0 | 27379201 |

ETIM

| | |
|----------|----------|
| ETIM 3.0 | EC001045 |
| ETIM 4.0 | EC002498 |
| ETIM 5.0 | EC002498 |
| ETIM 6.0 | EC002625 |
| ETIM 7.0 | EC002625 |

Mounting plate - FL PA SFNT 5-8 - 2891012

Classifications

UNSPSC

| | |
|---------------|----------|
| UNSPSC 6.01 | 43172015 |
| UNSPSC 7.0901 | 43201404 |
| UNSPSC 11 | 43172015 |
| UNSPSC 12.01 | 43201410 |
| UNSPSC 13.2 | 39121421 |
| UNSPSC 18.0 | 39121421 |
| UNSPSC 19.0 | 39121421 |
| UNSPSC 20.0 | 39121421 |
| UNSPSC 21.0 | 39121421 |

Phoenix Contact 2020 © - all rights reserved
<http://www.phoenixcontact.com>

PHOENIX CONTACT GmbH & Co. KG

Flachsmarktstr. 8

32825 Blomberg

Germany

Tel. +49 5235 300

Fax +49 5235 3 41200

<http://www.phoenixcontact.com>

X-ON Electronics

Largest Supplier of Electrical and Electronic Components

Click to view similar products for [Modular Connectors / Ethernet Connectors](#) category:

Click to view products by [Phoenix Contact](#) manufacturer:

Other Similar products are found below :

[8949-H88/06BLKA/SN](#) [74441-0010/BKN](#) [MP1010RX-1000](#) [MP44RX-1000](#) [PHP-6P6C-5](#) [GAX-3-66](#) [GAX-8-62](#) [GDCX-PA-66-50](#) [GDCX-PN-64](#) [GDCX-PN-66](#) [GDCX-PN-66-50](#) [GDLX-A-66](#) [GDLX-N-66](#) [GDLX-S-66](#) [GDLX-S-88K](#) [GDTX-S-88-50](#) [GDX-PA-1010](#) [GLX-N-1010M-BLK](#) [GLX-S-88M-BLK](#) [GMX-N-1010](#) [GMX-S-1010](#) [GMX-S-66](#) [GMX-SMT4-N-88](#) [GPX-2-64](#) [GSGX-N-2-88](#) [GSGX-N-4-88](#) [GSX-NS2-88-3.05](#) [GSX-NS2-88-3.05-50](#) [GSX-NS-88-3.05-50](#) [PT-108A-8C-UL](#) [PT-J951-8C](#) [PTS-J531-8CS-50UL](#) [1-1775629-2](#) [A-2014-0-4](#) [GWLX-S-88-GR](#) [GWLX-S9-88-YG](#) [DC-1021-8-WH-6](#) [1300530003](#) [1324640-4](#) [RJ11FTVC2G](#) [RJ11FTVC2N](#) [RJFTVX2SA1G](#) [132764-001](#) [1413235](#) [MP88X-1000](#) [MPS88RX-5000](#) [E5288-S000K3-L](#) [E5908-15A242-L](#) [155302-001](#) [AX100653](#)