

DIN rail bus connectors - HBUS 53,6-16P-1S BK - 2896458

Please be informed that the data shown in this PDF Document is generated from our Online Catalog. Please find the complete data in the user's documentation. Our General Terms of Use for Downloads are valid (<http://phoenixcontact.com/download>)



DIN rail connector, number of positions: 16, pitch: 2.54 mm, color: jet black



Key Commercial Data

| | |
|--------------|---------------|
| Packing unit | 10 pc |
| GTIN | |
| GTIN | 4046356103176 |

Technical data

General

| | |
|------------------|-----------|
| Housing material | Polyamide |
|------------------|-----------|

Ambient conditions

| | |
|---------------------------------|---|
| Ambient temperature (operation) | -40 °C ... 105 °C (dependent on the derating curve) |
|---------------------------------|---|

Dimensions

| | |
|--------|---------|
| Length | 37.1 mm |
| Width | 53.6 mm |
| Pitch | 2.54 mm |
| Height | 13.6 mm |

Technical data

| | |
|----------------------------------|------|
| Connection in acc. with standard | CUL |
| Nominal voltage U_N | 60 V |
| Nominal current I_N | 2 A |
| Indicator1 | CUL1 |
| Number of positions | 16 |

Standards and Regulations

| | |
|----------------------------------|-----|
| Connection in acc. with standard | CUL |
|----------------------------------|-----|

DIN rail bus connectors - HBUS 53,6-16P-1S BK - 2896458

Technical data

Standards and Regulations

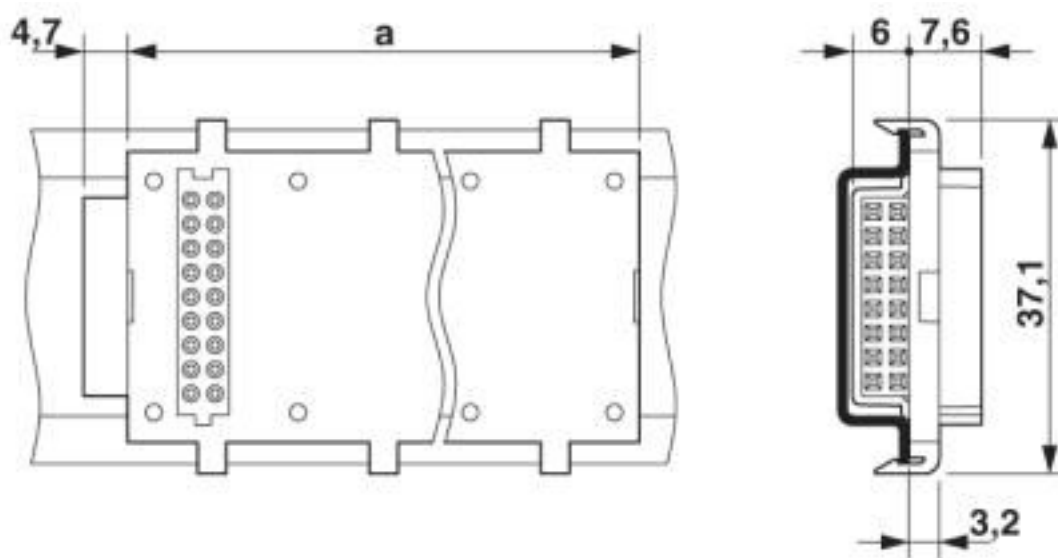
| | |
|--|----|
| Flammability rating according to UL 94 | V0 |
|--|----|

Environmental Product Compliance

| | |
|------------|---|
| China RoHS | Environmentally friendly use period: unlimited = EFUP-e |
| | No hazardous substances above threshold values |

Drawings

Dimensional drawing



A= 53.6 mm

Classifications

eCl@ss

| | |
|---------------|----------|
| eCl@ss 10.0.1 | 27440309 |
| eCl@ss 4.0 | 27260700 |
| eCl@ss 4.1 | 27260700 |
| eCl@ss 5.0 | 27260700 |
| eCl@ss 5.1 | 27260700 |
| eCl@ss 6.0 | 27260700 |
| eCl@ss 7.0 | 27440309 |
| eCl@ss 8.0 | 27440309 |
| eCl@ss 9.0 | 27440309 |

ETIM

| | |
|----------|----------|
| ETIM 2.0 | EC001031 |
| ETIM 3.0 | EC001031 |

DIN rail bus connectors - HBUS 53,6-16P-1S BK - 2896458

Classifications

ETIM

| | |
|----------|----------|
| ETIM 4.0 | EC002637 |
| ETIM 5.0 | EC002638 |
| ETIM 6.0 | EC002638 |
| ETIM 7.0 | EC002638 |

UNSPSC

| | |
|---------------|----------|
| UNSPSC 6.01 | 31261501 |
| UNSPSC 7.0901 | 31261501 |
| UNSPSC 11 | 31261501 |
| UNSPSC 12.01 | 31261501 |
| UNSPSC 13.2 | 39121409 |
| UNSPSC 18.0 | 39121409 |
| UNSPSC 19.0 | 39121409 |
| UNSPSC 20.0 | 39121409 |
| UNSPSC 21.0 | 39121409 |

Approvals


Approvals


Approvals

UL Recognized / cUL Recognized / EAC / cULus Recognized

Ex Approvals

Approval details

| | | | |
|--------------------|---|---|---------------|
| UL Recognized |  | http://database.ul.com/cgi-bin/XYV/template/LISEXT/1FRAME/index.htm | FILE E 118976 |
| Nominal voltage UN | 30 V | | |
| Nominal current IN | 2 A | | |

| | | | |
|--------------------|---|---|---------------|
| cUL Recognized |  | http://database.ul.com/cgi-bin/XYV/template/LISEXT/1FRAME/index.htm | FILE E 118976 |
| Nominal voltage UN | 30 V | | |
| Nominal current IN | 2 A | | |

DIN rail bus connectors - HBUS 53,6-16P-1S BK - 2896458

Approvals

| | | |
|-----|--|---------|
| EAC | | B.01687 |
|-----|--|---------|

| | |
|------------------|--|
| cULus Recognized | |
|------------------|--|

Accessories

Accessories

Cable set

Cable set - BSL-2,54/16-ST 40CM - 2202938



Cable bridge for cross-DIN-rail connection of the HBUS connector

Cable set - BSL2-2,54/16-ST - 2201281



Cable bridge for cross-DIN-rail connection of the HBUS connector

Power plug - SL2-2,54/16-ST - 2896348



Power connector for DIN rail bus connector with 16 free cable ends with a cross section of 0.25 mm², 500 mm long, male contacts

Power plug - BL2-2,54/16-ST - 2896335



Power connector for DIN rail bus connector with 16 free cable ends with a cross section of 0.25 mm², 500 mm long, female contacts

DIN rail bus connectors - HBUS 53,6-16P-1S BK - 2896458

Accessories

Filler plug

Protective cap - HBUS-B SET BK - 2278173



Set of 3 caps, for protecting unused DIN rail bus connectors, simply snap on to fit

Necessary add-on products

Pin strip - PSTD 0,65X0,65/9-2,54 - 2200700



Pin strip, number of positions: 18, pitch: 2.54 mm

Phoenix Contact 2020 © - all rights reserved
<http://www.phoenixcontact.com>

PHOENIX CONTACT GmbH & Co. KG
Flachsmarktstr. 8
32825 Blomberg
Germany
Tel. +49 5235 300
Fax +49 5235 3 41200
<http://www.phoenixcontact.com>

X-ON Electronics

Largest Supplier of Electrical and Electronic Components

Click to view similar products for [Enclosures, Boxes & Cases](#) *category:*

Click to view products by [Phoenix Contact](#) *manufacturer:*

Other Similar products are found below :

[585-R-WH-PK](#) [M-10-PLATED](#) [60221-01](#) [60566-01-000](#) [HPL-9VB BATT DOOR](#) [M18-PLTD](#) [M-21-PLATED](#) [63310-01-000](#) [6711GSKT](#)
[71884-29-028](#) [LH45-100 Black](#) [72868-510-000](#) [CNS-0000 Black](#) [72883-510-000](#) [CNS-0101 Black](#) [72906-510-000](#) [CNS-0407 Black](#) [73092-](#)
[510-000](#) [CNM-0101 Black](#) [73105-510-000](#) [CNL-0101 Black](#) [73108-510-000](#) [CNL-0303 Black](#) [73395-510-039](#) [CNS-0006 Bone](#) [74257-510-000](#)
[CNL-0004](#) [MDC-1183-PLAIN-ALUM](#) [MDC-1183-PTD](#) [MDC-13104-PTD](#) [MDC-321-PTD](#) [MDC-973-PTD](#) [76](#) [77153-01-028](#) [FLX6030](#)
[83535-01-508](#) [90026-501-000](#) [PS36-200](#) [116-508](#) [120-407](#) [120-910](#) [127-908](#) [130-008](#) [1301170079](#) [1322GSKTEP](#) [1325GSKT3](#) [1434-1210](#)
[EAS-500 \(BLACK ANO\)](#) [1804RP-RB-PK](#) [190-005](#) [2202307](#) [KAB3321 BLACK](#) [KAB3421](#) [2697466](#) [S52213](#) [2901123](#) [2901699](#) [A0645271](#)
[A20P20](#) [2106-IR](#) [PERF-850-PLN](#)