

Wireless module - RAD-ISM-900-EN-BD - 2900016

Please be informed that the data shown in this PDF Document is generated from our Online Catalog. Please find the complete data in the user's documentation. Our General Terms of Use for Downloads are valid (<http://phoenixcontact.com/download>)



Wireless transceiver (transmitter and receiver) with Ethernet, RS-232, RS-485 interfaces, for 900 MHz ISM band (America).
This product is exclusively for export outside of the European Economic Area (EEA).

Your advantages

- ✓ Secure data transmission with 128/192/256-bit AES encryption
- ✓ Includes a transmitter that can be set from 10 mW ... 1 W
- ✓ Supports TCP/IP, UDP, and IPv4 protocols
- ✓ Operates in the license-free 902 - 928 MHz ISM band
- ✓ Can be programmed for point-to-point, point-to-multipoint, and multipoint-to-point configurations
- ✓ Frequency hopping spread spectrum
- ✓ Provides an interface for data transmission between a 900 MHz wireless transmission system and Ethernet, RS-232, RS-422 or RS-485 interfaces



Key Commercial Data

Packing unit	1 pc
GTIN	
GTIN	4046356461580

Technical data

Note

Trade restriction	The products are offered exclusively for export outside the EU and the European Economic Area.
-------------------	--

Dimensions

Width	52 mm
Height	99 mm
Depth	115 mm

Ambient conditions

Ambient temperature (operation)	-40 °C ... 65 °C
---------------------------------	------------------

Wireless module - RAD-ISM-900-EN-BD - 2900016

Technical data

Ambient conditions

Ambient temperature (storage/transport)	-40 °C ... 75 °C
Degree of protection	IP20

Wireless set

Set contents	1 transceiver
--------------	---------------

Wireless path

Direction	Bi-directional
Frequency range	902 MHz ... 928 MHz
Transmission power	1 W (adjustable in 1 dBm increments)
Transmit capacity, minimum	10 dBm
Transmit capacity, maximum	30 dBm

Serial interface

Designation	RS-232
Data rate	300 ... 57,6 kBit/s
Connection method	D-SUB-9 female connector
File format/coding	Asynchronous
Data flow control/protocols	RTS/CTS
Designation	RS-485/RS-422
Connection method	COMBICON plug-in screw terminal block

Supply

Supply voltage	24 V DC
Supply voltage range	11 V DC ... 30 V DC
Max. current consumption	250 mA (at 24 V DC)

General

Mounting position	any
Assembly instructions	on standard DIN rail NS 35 in accordance with EN 60715
Housing material	Polyamide PA non-reinforced with aluminum heatsink

Connection data

Conductor cross section solid min.	0.2 mm ²
Conductor cross section solid max.	4 mm ²
Conductor cross section flexible min.	0.2 mm ²
Conductor cross section flexible max.	2.5 mm ²
Conductor cross section AWG min.	24
Conductor cross section AWG max.	14
Connection method	Screw connection
Stripping length	8 mm
Screw thread	M3

Standards and Regulations

Conformance	FCC Directive, Part 15.247
-------------	----------------------------

Wireless module - RAD-ISM-900-EN-BD - 2900016

Technical data

Standards and Regulations

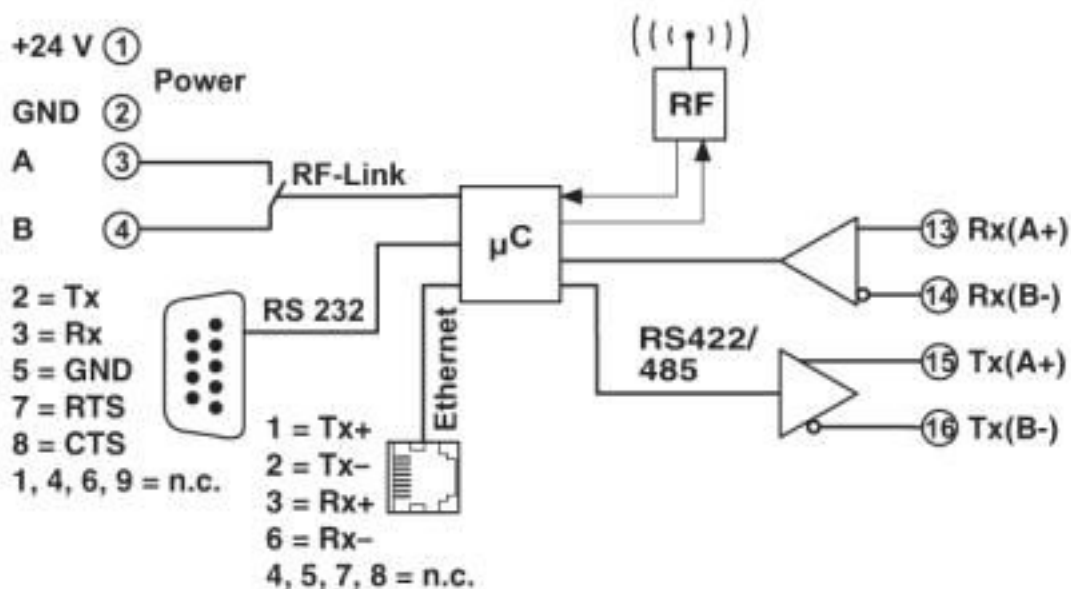
	ISC Directive RSS 210
UL, USA/Canada	Class I, Div. 2, Groups A, B, C, D

Environmental Product Compliance

China RoHS	Environmentally Friendly Use Period = 50 years
	For details about hazardous substances go to tab "Downloads", Category "Manufacturer's declaration"

Drawings

Block diagram



Classifications

eCl@ss

eCl@ss 4.0	27250300
eCl@ss 4.1	27250300
eCl@ss 5.0	27242200
eCl@ss 5.1	27242200
eCl@ss 6.0	19179200
eCl@ss 7.0	19179290
eCl@ss 8.0	19179290
eCl@ss 9.0	19179290

ETIM

ETIM 2.0	EC000310
ETIM 3.0	EC000310

Wireless module - RAD-ISM-900-EN-BD - 2900016

Classifications

ETIM

ETIM 4.0	EC000310
ETIM 5.0	EC000310
ETIM 6.0	EC000310
ETIM 7.0	EC000310

UNSPSC

UNSPSC 6.01	30211506
UNSPSC 7.0901	43223108
UNSPSC 11	39121008
UNSPSC 12.01	43223108
UNSPSC 13.2	43222604
UNSPSC 18.0	43222604
UNSPSC 19.0	43222604
UNSPSC 20.0	43222604
UNSPSC 21.0	43222604

Accessories

Accessories

Adapter cable

Antenna cable - RAD-CON-MCX90-N-SS - 2885207



Antenna cable, outside diameter: 2.5 mm (0.1 in.), inner conductor: stranded, attenuation: 0.9 dB at 900 MHz, connection: 90° MCX (male) -> N (male), cable length: 1.2 m (4 ft.)

Antenna

Antenna - RAD-ISM-900-ANT-OMNI-0-6 - 2867160



Omnidirectional antenna, 900 MHz, gain: 2 dBi, polarization: linear, opening angle: h 360°, degree of protection: IP65, connection: MCX (male), incl. 2 m / 6.5 ft. connecting cable and mounting bracket for wall mounting

Wireless module - RAD-ISM-900-EN-BD - 2900016

Accessories

Antenna - RAD-ISM-900-ANT-OMNI-FG-3-N - 2867791

Omnidirectional antenna, 900 MHz, gain: 5 dBi, polarization: linear, opening angle: h/v 360°/28°, degree of protection: IP65, connection: N (female), incl. mounting bracket and mast clips



Antenna - RAD-ISM-900-ANT-YAGI-6.5-25-AS - 2867827



Panel antenna with surge protection, adapter cable MCX->N and assembly material, IP65 protection, gain 8.5 dBi, cable length 7.6 m, connection N (female)

Antenna - RAD-ISM-900-ANT-YAGI-6.5-50-AS - 2867830



Panel antenna with surge protection, adapter cable MCX->N and assembly material, IP65 protection, gain 8.5 dBi, cable length 15.2 m, connection N (female)

Coaxial cable

Antenna cable - RAD-CAB-RG213-25 - 2867597



Antenna extension cable, length: 25 ft

Control box

Control cabinet - RAD-SYS-NEMA4X-900 - 2917188



NEMA 4X enclosure for wireless systems

Phoenix Contact 2020 © - all rights reserved
<http://www.phoenixcontact.com>

PHOENIX CONTACT GmbH & Co. KG
Flachmarktstr. 8
32825 Blomberg
Germany
Tel. +49 5235 300
Fax +49 5235 3 41200
<http://www.phoenixcontact.com>

X-ON Electronics

Largest Supplier of Electrical and Electronic Components

Click to view similar products for [Sub-GHz Modules](#) category:

Click to view products by [Phoenix Contact](#) manufacturer:

Other Similar products are found below :

[HMC-C024](#) [nRF24L01P-MODULE-SMA](#) [CMD-KEY2-418-CRE](#) [V640-A90](#) [SM1231E868](#) [HMC-C582](#) [SM-MN-00-HF-RC](#) [HMC-C031](#)
[LoRa Node Kit\(US\)](#) [Sierra HL7588 4G KIT\(US\)](#) [WISE-4610-S672NA](#) [EC21AUFA-MINIPCIE](#) [EC21EUGA-MINIPCIE](#) [CS-EASYSWITCH-](#)
[25](#) [EC21JFB-MINIPCIE](#) [DL-RFM95-915M](#) [DL-RFM96-433M](#) [Ra-07H-V1.1](#) [Ra-07](#) [Ra-01SH](#) [Ra-01S-T](#) [Ra-01SH-T](#) [CMD-HHCP-418-MD](#)
[CMD-HHCP-433-MD](#) [CMD-HHLR-418-MD](#) [2095000000200](#) [XB9X-DMRS-031](#) [20911051101](#) [COM-13909](#) [HMC-C033](#) [COM-13910](#)
[WRL-14498](#) [SX1276RF1KAS](#) [HMC-C011](#) [HMC-C014](#) [HMC-C050](#) [HMC-C001](#) [HMC-C006](#) [HMC-C029](#) [HMC-C030](#) [HMC-C021](#) [HMC-](#)
[C041](#) [HMC-C042](#) [HMC-C048](#) [HMC-C051](#) [HMC-C071](#) [HMC-C072](#) [A2500R24C00GM](#) [702-W](#) [HUM-900-PRC](#)