

# WirelessHART adapter - RAD-WHA-1/2NPT - 2900100

Please be informed that the data shown in this PDF Document is generated from our Online Catalog. Please find the complete data in the user's documentation. Our General Terms of Use for Downloads are valid (<http://phoenixcontact.com/download>)



Adapter that can be used to interface HART field devices into a WirelessHART network.

## Product Description


Adapter that can be used to interface HART field devices into a WirelessHART network.

### Your advantages

- ✓ Up to 4 HART devices can be connected to one adapter
- ✓ Connected HART devices can transmit data via a WirelessHART network
- ✓ Removable antenna for connecting a coaxial cable and a high-gain antenna
- ✓ 1/2" NPT connection for distributed or direct device connection
- ✓ A standard signal with 4 ... 20 mA can be connected in order to integrate non-HART devices into a WirelessHART network



## Key Commercial Data

Packing unit	1 pc
GTIN	 4 046356 583930
GTIN	4046356583930

## Technical data

### Dimensions

Width	87.2 mm
Height	161 mm
Depth	65.3 mm
Width	87.2 mm
Height	161 mm
Depth	65.3 mm

### Ambient conditions

Ambient temperature (operation)	-40 °C ... 70 °C
Ambient temperature (storage/transport)	-40 °C ... 85 °C

# WirelessHART adapter - RAD-WHA-1/2NPT - 2900100

## Technical data

### Ambient conditions

Degree of protection	IP65
----------------------	------

### Wireless path

Interface description	WirelessHART
Note	Test loops connect HART programming tool
Direction	Bi-directional
Frequency range	2.4 GHz ... 2.4835 GHz
Transmit capacity, minimum	0 dBm
Transmit capacity, maximum	10 dBm
Channel distance	5 MHz
Number of channel groups	15
Antenna connection method	N (female)

### Supply

Supply voltage	24 V DC
Supply voltage range	11 V DC ... 30 V DC
Max. current consumption	95 mA

### General

Mounting position	any
Assembly instructions	1/2-in. NPT
Housing material	Aluminum, die-cast, corrosion resistant, powder-coated

### Connection data

Connection method	Flying leads, 20 AWG
-------------------	----------------------

### Standards and Regulations

Electromagnetic compatibility	FCC Part 15.247
Interface description	WirelessHART
Channel distance	5 MHz
ATEX	# II 3G Ex nA [nL] IIC T4 Gc, Ex nA [ic] IIC T4 Gc, Sira 11ATEX4217X
IECEX	Ex nA [nL] IIC T4 Gc, Ex nA [ic] IIC T4 Gc, SIR 11.0098X
CSA, USA/Canada	# Canada: Class I, Division 2, Groups A,B,C,D; Class I, Zone 2, AEx nA [nC] IIC T4 Gc

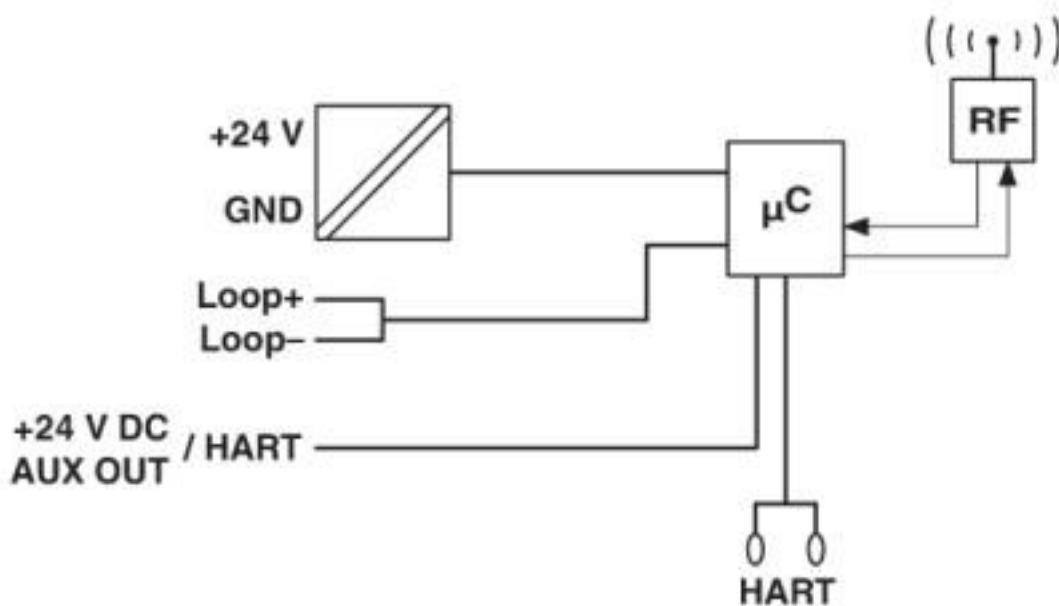
### Environmental Product Compliance

China RoHS	Environmentally Friendly Use Period = 50 years
	For details about hazardous substances go to tab "Downloads", Category "Manufacturer's declaration"

## Drawings

# WirelessHART adapter - RAD-WHA-1/2NPT - 2900100

Block diagram



## Classifications

### eCl@ss

eCl@ss 4.0	24010700
eCl@ss 4.1	24010700
eCl@ss 5.0	19030500
eCl@ss 5.1	19030500
eCl@ss 6.0	19170200
eCl@ss 7.0	19170202
eCl@ss 8.0	19170202
eCl@ss 9.0	19179290

### ETIM

ETIM 3.0	EC001423
ETIM 4.0	EC000817
ETIM 5.0	EC000817
ETIM 6.0	EC000310
ETIM 7.0	EC000310

### UNSPSC

UNSPSC 6.01	43171611
UNSPSC 7.0901	43221706
UNSPSC 11	43171611
UNSPSC 12.01	43221706
UNSPSC 13.2	43221706

## WirelessHART adapter - RAD-WHA-1/2NPT - 2900100

### Accessories

#### Accessories

#### Antenna

##### Antenna - RAD-ISM-2400-ANT-OMNI-6-0 - 2885919

Omnidirectional antenna, 2.4 GHz, gain: 6 dBi, polarization: linear, opening angle: h/v 360°/30°, degree of protection: IP67, seawater-resistant, connection: N (female), incl. mounting bracket and mast clamps, ATEX and IECEx approval



---

##### Antenna - RAD-ISM-2400-ANT-PAN- 8-0 - 2867610

Directional antenna, 2.4 GHz, gain: 8 dBi, polarization: linear, opening angle: h/v 75°/70°, degree of protection: IP55, connection: SMA (female), incl. mounting bracket and mast clips



---

#### Assembly element

##### Mounting kit - RAD-WHA-MKT - 2904553

Mounting kit for WirelessHART adaptor (RAD-WHA-1/2NPT). Allows attachment to a pipe 38 to 89 mm diameter (1.5 to 3.5-inch diameter) or a flat surface, such as a panel.



---

##### Mounting kit - RAD-WHA-MKT - 2904553

Mounting kit for WirelessHART adaptor (RAD-WHA-1/2NPT). Allows attachment to a pipe 38 to 89 mm diameter (1.5 to 3.5-inch diameter) or a flat surface, such as a panel.



---

#### Coaxial cable

##### Antenna cable - RAD-CAB-EF393- 3M - 2867649

Antenna cable, outside diameter: 10 mm (0.4 in.), inner conductor: stranded, attenuation: 1.0 / 1.8 / 3.1 dB at 0.9 / 2.4 / 5.8 GHz, connection: 2 x N (male), cable length: 3 m (10 ft.)



## WirelessHART adapter - RAD-WHA-1/2NPT - 2900100

### Accessories

#### Gateways/Proxies

WirelessHART gateway - RAD-WHG/WLAN-XD - 2900178



Gateway between WirelessHART field devices and 802.11b/g

---

#### Junction box connector

Socket terminal block - JBC 2,5/3 - 3240164



3-pos. socket terminal block with spring-cage connection, for toolless wiring with push-in connection method, for one and multi-strand conductors with a cross section of 0.5 to 2.5 mm<sup>2</sup>, insulation housing transparent.

---

#### NPT adapter

Adapter - 1/2NPT(M)-1/2NPT(M)-EX - 2902313



1/2-inch NPT male to 1/2-inch NPT male adapter, IP68, rated for hazardous locations

---

Adapter - 1/2NPT(M)-M20(M)-EX - 2902339



1/2-inch NPT male to M20 male adapter, IP68, rated for hazardous locations

---

Adapter - 1/2NPT(M)-1/2NPT(F)-90DEG-EX - 2902346



1/2-inch NPT male to 1/2-inch NPT female adapter, 90°, IP64, rated for hazardous locations

---

---

Phoenix Contact 2020 © - all rights reserved  
<http://www.phoenixcontact.com>

PHOENIX CONTACT GmbH & Co. KG  
Flachmarktstr. 8  
32825 Blomberg  
Germany  
Tel. +49 5235 300  
Fax +49 5235 3 41200  
<http://www.phoenixcontact.com>

## X-ON Electronics

Largest Supplier of Electrical and Electronic Components

*Click to view similar products for [WiFi Modules - 802.11 category](#):*

*Click to view products by [Phoenix Contact manufacturer](#):*

Other Similar products are found below :

[KBPC10/15/2506WP](#) [WIFI-RT5392-SB-R10](#) [SX-PCEAN2C-SP](#) [849WM520100E](#) [WIFI-AT2350](#) [7265.NGWG.SW](#) [HDG204-DN-3](#) [FXX-3061-MIX](#) [EMIO-1533-00A2](#) [PPC-WL-KIT02-R11](#) [RC-CC2640-B](#) [HLK-7688A](#) [E70-433T14S](#) [WH-NB73-BA](#) [NF-02-PA](#) [EAR00364](#) [ATSAMW25H18-MR210PB1961](#) [3168.NGWG](#) [MY-WF003U](#) [AX210.NGWG.NV](#) [ESP-15F32Mbit](#) [ESP32-S32Mb](#) [TG-01M](#) [ESP-13](#) [ESP-01F-2M](#) [ESP-01E-2M](#) [ESP-12S-8285-2M](#) [ESP-20](#) [ESP32-SL](#) [ESP-12K-PSRAM](#) [ESP-12K](#) [ESP-12K-PSRAM-IPEX](#) [ESP-12H](#) [BW18](#) [BW12-16Mb](#) [BW14](#) [BW15](#) [BW16](#) [TG-12F](#) [SIM7600CE-L1S](#) [CB3S\(tjrl\)](#) [CB3S\(hvk9\)](#) [CB3S\(qh6\)](#) [WB2S\(csyd\)](#) [WB3S\(ppty\)](#) [WB3S\(h238\)](#) [WB3S\(uvmz\)](#) [1005869](#) [1012](#) [QCA4004X-BL3B](#)