

## Hybrid motor starter - ELR H3-I-SC-230AC/500AC-2 - 2900544

Please be informed that the data shown in this PDF Document is generated from our Online Catalog. Please find the complete data in the user's documentation. Our General Terms of Use for Downloads are valid (<http://phoenixcontact.com/download>)




Hybrid motor starter for starting 3~ AC motors up to 550 V AC, with 230 V AC input, 2.4 A output current, and adjustable overload shutdown.

### Your advantages

- 22.5 mm wide
- Low-wear switching
- Long service life
- Space saving
- Reduction in wiring
- Adjustable current for bimetal function
- 3-phase loop bridges



### Key Commercial Data

|              |   |
|--------------|---|
| Packing unit | 1 pc  |
| GTIN         | <br>4 046356 527699 |
| GTIN         | 4046356527699   |

### Technical data

#### Dimensions

|        |         |
|--------|---------|
| Width  | 22.5 mm |
| Height | 107 mm  |
| Depth  | 114 mm  |

#### Ambient conditions

|   |                                     |
|---|-------------------------------------|
| Ambient temperature (operation)         | -25 °C ... 70 °C (observe derating) |
| Ambient temperature (storage/transport) | -40 °C ... 80 °C                    |
| Maximum altitude                        | ≤ 2000 m                            |
| Degree of protection                    | IP20                                |

#### Device supply

# Hybrid motor starter - ELR H3-I-SC-230AC/500AC-2 - 2900544

## Technical data

### Device supply

|  |                      |
|--|----------------------|
| Rated control circuit supply voltage $U_s$ | 230 V AC             |
| Control supply voltage range               | 85 V AC ... 253 V AC |
| Rated control supply current $I_s$         | 4 mA                 |
| Mains frequency                            | 50/60 Hz             |
| Type of protection                         | Surge protection     |

### Input data

|                               |                      |
|-------------------------------|----------------------|
| Input name                    | Control input        |
| Rated actuating voltage $U_c$ | 230 V AC             |
| Triggering voltage range      | 85 V AC ... 253 V AC |
| Rated actuating current $I_c$ | 7 mA (Input type 1)  |
| Mains frequency               | 50/60 Hz             |
| Switching threshold           | 44 V AC ("0" signal) |
|                               | 85 V AC ("1" signal) |
| Typical turn-off time         | < 70 ms              |

### Output data load output

|   |                                    |
|---|------------------------------------|
| Output name                                       | AC output                          |
| Rated operating voltage $U_e$                     | 500 V AC                           |
| Operating voltage range                           | 42 V AC ... 550 V AC               |
| Rated operating current $I_e$                     | 2.4 A (AC-51)                      |
|   | 2.4 A (AC-53a)                     |
| Mains frequency                                   | 50/60 Hz                           |
| Load current range                                | 180 mA ... 2.4 A (see to derating) |
| Trigger characteristic in acc. with IEC 60947-4-2 | Class 10A                          |
| Cooling time                                      | 20 min. (for auto reset)           |
| Leakage current                                   | 0 mA                               |
| Type of protection                                | Surge protection                   |

### Output data reply output

|   |  |
|---|--|
| Output name                                   | Acknowledge output   |
| Note  | Confirmation: floating change-over contact, signal contact |
| Contact type                                  | 1 PDT  |
| Switching capacity according to IEC 60947-5-1 | 3 A (230 V, AC15)  |
|   | 2 A (24 V, DC13)   |

### General

|                       |  |
|-----------------------|--|
| Motor starter type    | Direct starter                                     |
| Switching frequency   | $\leq 2$ Hz (Load-dependent)                       |
| Mounting position     | vertical (horizontal DIN rail, motor output below) |
| Mounting type         | DIN rail mounting                                  |
| Assembly instructions | alignable, for spacing see derating                |
| Operating mode        | 100% operating factor                              |

# Hybrid motor starter - ELR H3-I-SC-230AC/500AC-2 - 2900544

## Technical data

### General

|                           |            |
|---------------------------|------------|
| Maximum power dissipation | 4.7 W      |
| Minimum power dissipation | 2.6 W      |
| Operating voltage display | Green LED  |
| Status display            | Yellow LED |
| Indication                | Red LED    |

### Connection data

|                                  |   |
|----------------------------------|---|
| Connection name                  | Control circuits                                  |
| Connection method                | Screw connection                                  |
| Stripping length                 | 8 mm  |
| Screw thread                     | M3  |
| Conductor cross section solid    | 0.2 mm <sup>2</sup> ... 2.5 mm <sup>2</sup>       |
| Conductor cross section flexible | 0.2 mm <sup>2</sup> ... 2.5 mm <sup>2</sup>       |
| Conductor cross section AWG      | 24 ... 14   |
| Torque                           | 0.5 Nm ... 0.6 Nm                                 |
|                                  | 5 lb <sub>f</sub> -in. ... 7 lb <sub>f</sub> -in. |

### Connection data 2

|                                  |   |
|----------------------------------|---|
| Connection name                  | Load circuit                                      |
| Connection method                | Screw connection                                  |
| Stripping length                 | 8 mm  |
| Screw thread                     | M3  |
| Conductor cross section solid    | 0.2 mm <sup>2</sup> ... 2.5 mm <sup>2</sup>       |
| Conductor cross section flexible | 0.2 mm <sup>2</sup> ... 2.5 mm <sup>2</sup>       |
| Conductor cross section AWG      | 24 ... 14   |
| Torque                           | 0.5 Nm ... 0.6 Nm                                 |
|                                  | 5 lb <sub>f</sub> -in. ... 7 lb <sub>f</sub> -in. |

### Insulation characteristics

|                          |  |
|--------------------------|--|
| Rated insulation voltage | 500 V  |
| Rated surge voltage      | 4 kV   |
| Overvoltage category     | III  |
| Degree of pollution      | 2  |
| Designation              | Insulation characteristics between the control input and control supply voltage, and auxiliary circuit to the main circuit |
| Insulation               | Safe isolation (IEC 60947-1) at operating voltage ≤ 300 V AC   |
|                          | Safe isolation (EN 50178) at operating voltage ≤ 300 V AC  |
|                          | Basic isolation (IEC 60947-1) at operating voltage 300 ... 500 V AC  |
|                          | Safe isolation (EN 50178) at operating voltage 300 ... 500 V AC  |
| Designation              | Isolation characteristics between the control input and control supply voltage to auxiliary circuit                        |
| Insulation               | Safe isolation (IEC 60947-1) in the auxiliary circuit ≤ 300 V AC   |
|                          | Safe isolation (EN 50178) in the auxiliary circuit ≤ 300 V AC  |

## Hybrid motor starter - ELR H3-I-SC-230AC/500AC-2 - 2900544

### Technical data

#### Standards and Regulations

|                       |                       |
|-----------------------|-----------------------|
| Designation           | Standards/regulations |
| Standards/regulations | IEC 60947-1           |
|                       | IEC 60947-4-2         |
|                       | IEC 61508             |
|                       | ISO 13849             |

#### Conformance/approvals

|             |              |
|-------------|--------------|
| Designation | UL approval  |
| Certificate | NLDX.E228652 |

#### UL data

|                    |  |
|--------------------|--|
| SCCR               | 100 kA (500 V AC (fuse: 30 A class CC/30 A class J (high fault)))      |
|                    | 5 kA (500 V AC (fuse: 20 A RK5 (standard fault)))                      |
| FLA                | 2.4 A (500 V AC)   |
| Group installation | 20 A (class RK5, SCCR 5kA, #24 - 14 AWG max. solid and stranded)       |
|                    | 30 A (class CC or J, SCCR 100kA, #24 - 14 AWG max, solid and stranded) |
| Category code      | NLDX / NRNT  |

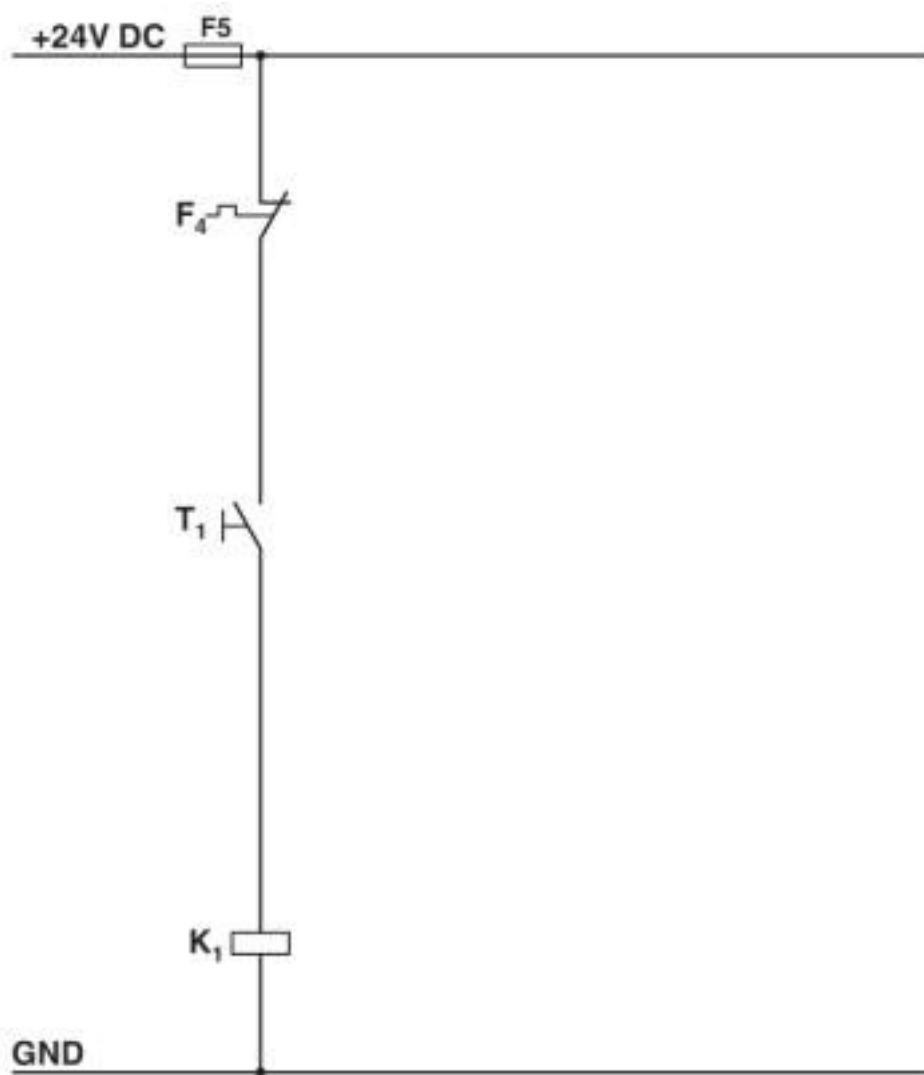
#### Environmental Product Compliance

|            |   |
|------------|---|
| REACH SVHC | Lead 7439-92-1  |
| China RoHS | Environmentally Friendly Use Period = 50 years  |
|            | For details about hazardous substances go to tab "Downloads", Category "Manufacturer's declaration" |

### Drawings

# Hybrid motor starter - ELR H3-I-SC-230AC/500AC-2 - 2900544

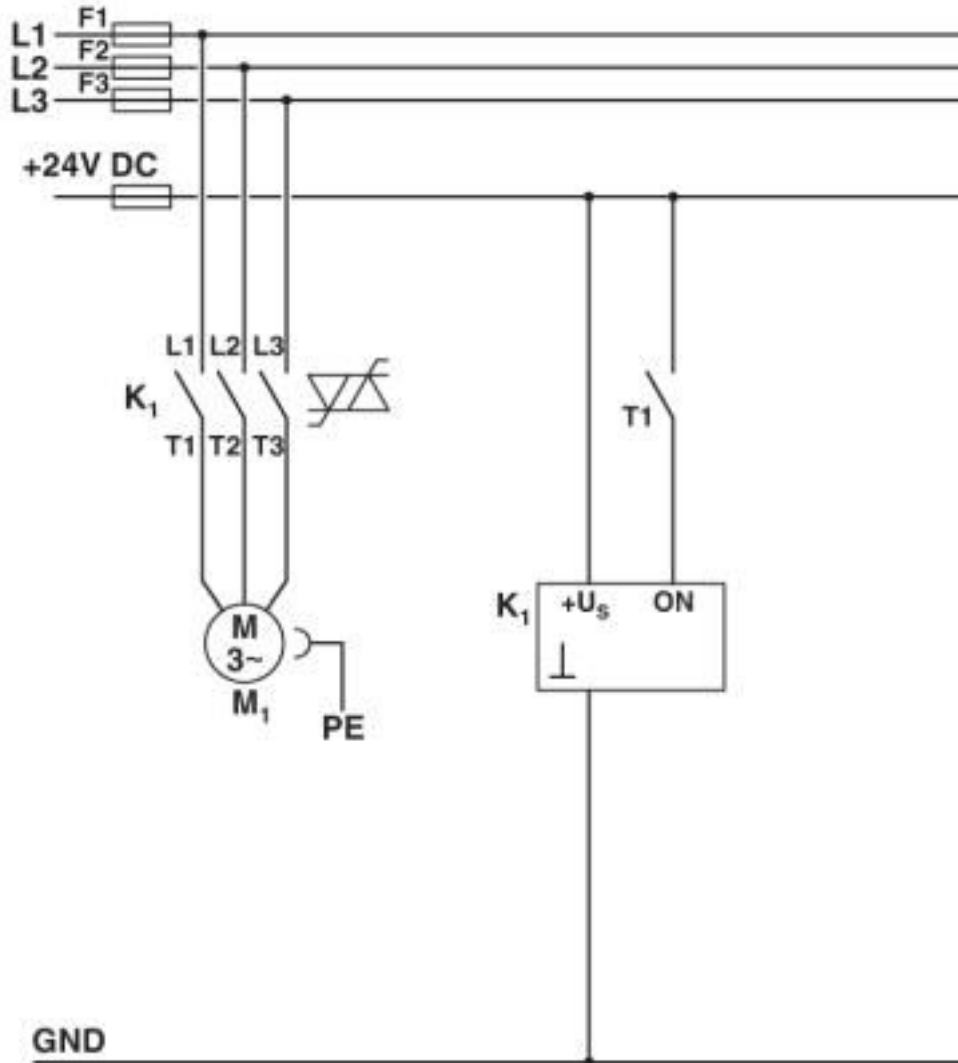
Circuit diagram



Conventional structure  
Control current path contactor  
K1 = Right contactor  
T1 = Right  
F4 = Motor protection relay

# Hybrid motor starter - ELR H3-I-SC-230AC/500AC-2 - 2900544

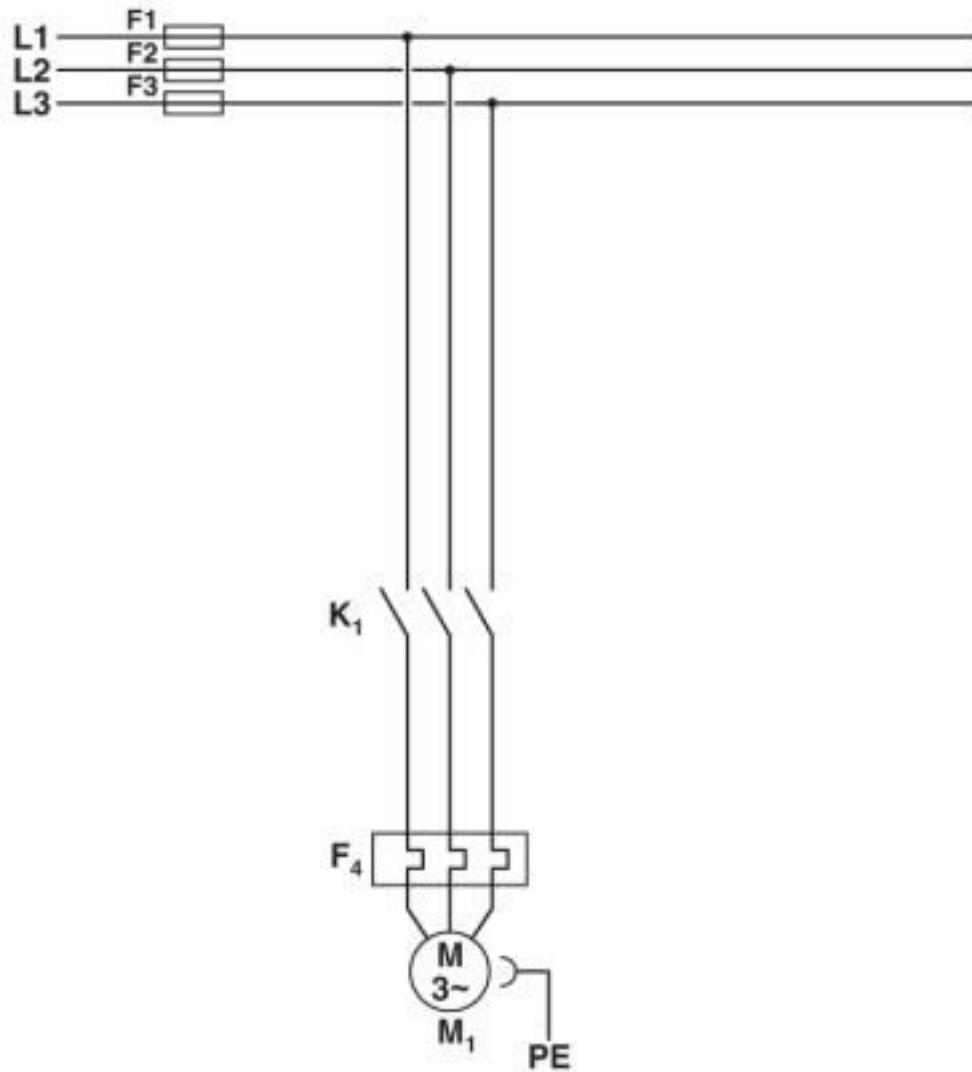
Circuit diagram



Structure with CONTACTRON  
Main and control current path for '2 in 1' hybrid motor starter  
K1 = '2 in 1' hybrid motor starter  
T1 = Right

# Hybrid motor starter - ELR H3-I-SC-230AC/500AC-2 - 2900544

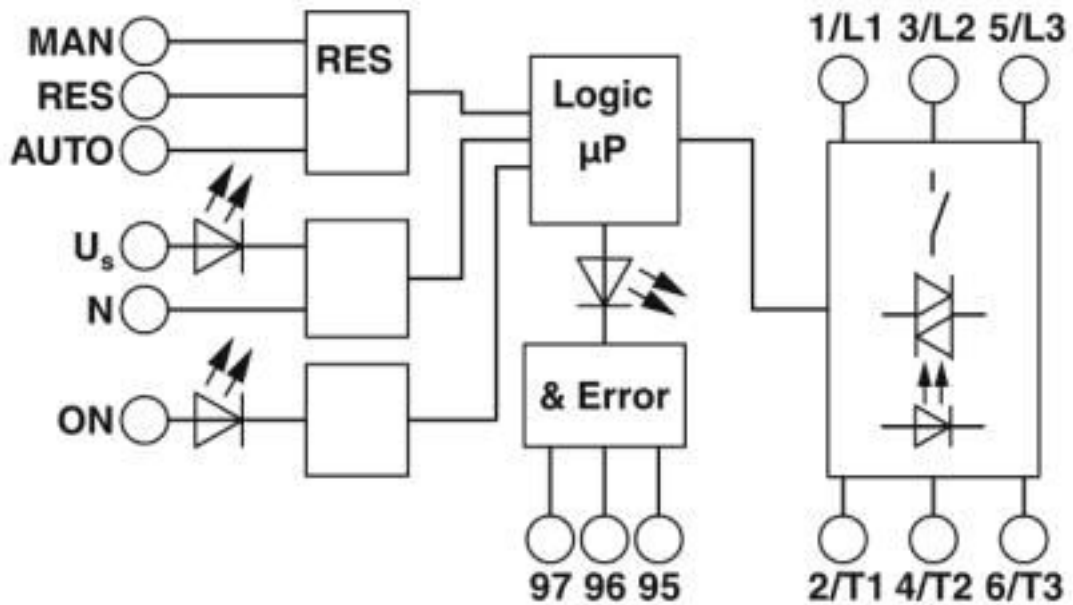
Circuit diagram



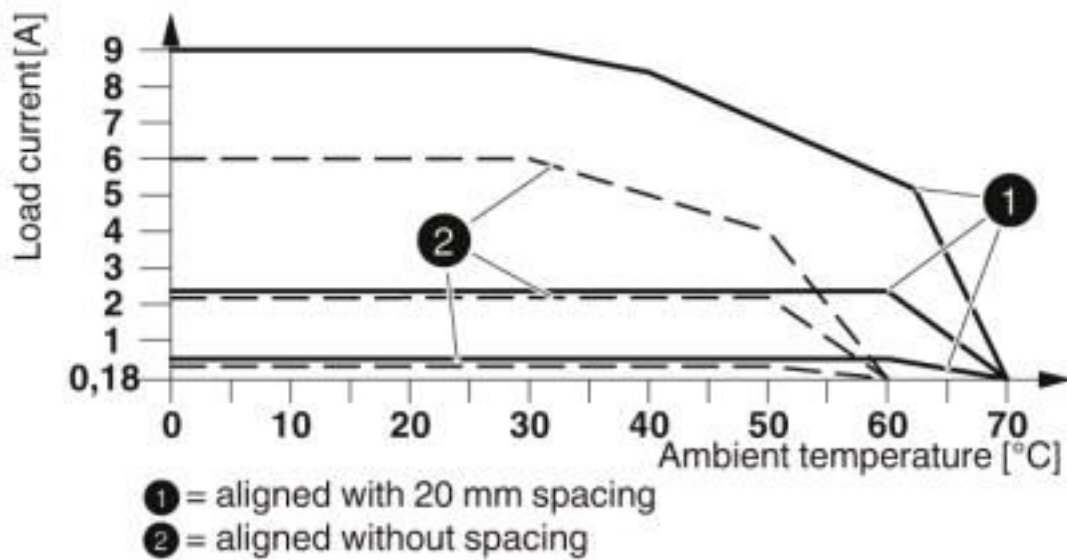
Conventional structure  
Main current path reversing contactor  
K1 = Right contactor  
F4 = Motor protection relay

# Hybrid motor starter - ELR H3-I-SC-230AC/500AC-2 - 2900544

Block diagram



Diagram



Derating diagram

## Classifications

eCl@ss

|               |          |
|---------------|----------|
| eCl@ss 10.0.1 | 27370905 |
| eCl@ss 4.0    | 27021100 |
| eCl@ss 4.1    | 27021100 |
| eCl@ss 5.0    | 27024000 |



# Hybrid motor starter - ELR H3-I-SC-230AC/500AC-2 - 2900544

## Classifications

### eCl@ss

|            |          |
|------------|----------|
| eCl@ss 5.1 | 27024000 |
| eCl@ss 6.0 | 27024000 |
| eCl@ss 7.0 | 27024002 |
| eCl@ss 8.0 | 27024002 |
| eCl@ss 9.0 | 27370905 |

### ETIM

|          |          |
|----------|----------|
| ETIM 2.0 | EC001037 |
| ETIM 3.0 | EC001037 |
| ETIM 4.0 | EC001037 |
| ETIM 5.0 | EC001037 |
| ETIM 6.0 | EC001037 |
| ETIM 7.0 | EC001037 |

### UNSPSC

|               |          |
|---------------|----------|
| UNSPSC 6.01   | 30211915 |
| UNSPSC 7.0901 | 39121514 |
| UNSPSC 11     | 39121514 |
| UNSPSC 12.01  | 39121514 |
| UNSPSC 13.2   | 25173902 |
| UNSPSC 18.0   | 25173902 |
| UNSPSC 19.0   | 25173902 |
| UNSPSC 20.0   | 25173902 |
| UNSPSC 21.0   | 25173902 |

## Accessories

### Accessories

#### Adapter

Adapter - EM-CPS-DA-22,5F/16A - 1002668



Device adapter with fuse holder for 16 A fuse (10x38/Class CC), CrossLink® interface and fixed DIN rail

---

### Assembly adapter

## Hybrid motor starter - ELR H3-I-SC-230AC/500AC-2 - 2900544

### Accessories

Power distribution board - EM-CPS-225 - 1002634



Modular power distribution board with CrossLink® interface, 125 A, 3-pos., touch-proof and protection against polarity reversal, width: 225 mm

---

Power distribution board - EM-CPS-405 - 1002635



Modular power distribution board with CrossLink® interface, 125 A, 3-pos., touch-proof and protection against polarity reversal, width: 405 mm

---

Connection module - EM-CPS-TB3/63A - 1002633



Connection module with integrated spring-loaded terminals for cables from 1.5 to 16 mm<sup>2</sup>, 3-pos., maximum 63 A

---

### Bridge

Jumper - BRIDGE- 4-3M - 2901659



3-phase loop bridge for 4 CONTACTRON modules, with screw connection and 22.5 mm housing width, connecting cable: 3 m

---

### Cover

Covering hood - BRIDGE COVER - 2906240



The BRIDGE COVER covering hood is used to cover unused plugs on the CONTACTRON bridge that may subsequently be used to extend the system. The hood can be used with the screw and Push-in version of the bridge.

---

### Device marking

## Hybrid motor starter - ELR H3-I-SC-230AC/500AC-2 - 2900544

### Accessories

#### Plastic label - US-EMLP (15X5) - 0828790



Plastic label, Card, white, unlabeled, can be labeled with: BLUEMARK ID COLOR, BLUEMARK ID, THERMOMARK PRIME, THERMOMARK CARD 2.0, THERMOMARK CARD, mounting type: adhesive, lettering field size: 15 x 5 mm, Number of individual labels: 189

---

#### Plastic label - UC-EMLP (15X5) - 0819301



Plastic label, Sheet, white, unlabeled, can be labeled with: BLUEMARK ID COLOR, BLUEMARK ID, BLUEMARK CLED, PLOTMARK, CMS-P1-PLOTTER, mounting type: adhesive, lettering field size: 15 x 5 mm, Number of individual labels: 10

---

### Loop bridge

#### Jumper - BRIDGE- 2 - 2900746



3-phase loop bridge for 2 CONTACTRON modules, with screw connection and 22.5 mm housing width, connecting cable: 0.3 m, with ferrules.

---

#### Jumper - BRIDGE- 3 - 2900747



3-phase loop bridge for 3 CONTACTRON modules, with screw connection and 22.5 mm housing width, connecting cable: 0.3 m, with ferrules.

---

#### Jumper - BRIDGE- 4 - 2900748



3-phase loop bridge for 4 CONTACTRON modules, with screw connection and 22.5 mm housing width, connecting cable: 0.3 m, with ferrules.

## Hybrid motor starter - ELR H3-I-SC-230AC/500AC-2 - 2900544

### Accessories

#### Jumper - BRIDGE- 5 - 2900749



3-phase loop bridge for 5 CONTACTRON modules, with screw connection and 22.5 mm housing width, connecting cable: 0.3 m, with ferrules.

---

#### Jumper - BRIDGE- 6 - 2900750



3-phase loop bridge for 6 CONTACTRON modules, with screw connection and 22.5 mm housing width, connecting cable: 0.3 m, with ferrules.

---

#### Jumper - BRIDGE- 7 - 2900751



3-phase loop bridge for 7 CONTACTRON modules, with screw connection and 22.5 mm housing width, connecting cable: 0.3 m, with ferrules.

---

#### Jumper - BRIDGE- 8 - 2900752



3-phase loop bridge for 8 CONTACTRON modules, with screw connection and 22.5 mm housing width, connecting cable: 0.3 m, with ferrules.

---

#### Jumper - BRIDGE- 9 - 2900753



3-phase loop bridge for 9 CONTACTRON modules, with screw connection and 22.5 mm housing width, connecting cable: 0.3 m, with ferrules.

---

## Hybrid motor starter - ELR H3-I-SC-230AC/500AC-2 - 2900544

### Accessories

#### Jumper - BRIDGE-10 - 2900754



3-phase loop bridge for 10 CONTACTRON modules, with screw connection and 22.5 mm housing width, connecting cable: 0.3 m, with ferrules.

---

#### Jumper - BRIDGE- 2-1M - 2901542



3-phase loop bridge for 2 CONTACTRON modules, with screw connection and 22.5 mm housing width, connecting cable: 1 m

---

#### Jumper - BRIDGE- 3-1M - 2901655



3-phase loop bridge for 3 CONTACTRON modules, with screw connection and 22.5 mm housing width, connecting cable: 1 m

---

#### Jumper - BRIDGE- 4-1M - 2901658



3-phase loop bridge for 4 CONTACTRON modules, with screw connection and 22.5 mm housing width, connecting cable: 1 m

---

#### Jumper - BRIDGE- 5-1M - 2901544



3-phase loop bridge for 5 CONTACTRON modules, with screw connection and 22.5 mm housing width, connecting cable: 1 m

---

## Hybrid motor starter - ELR H3-I-SC-230AC/500AC-2 - 2900544

### Accessories

Jumper - BRIDGE- 6-1M - 2901649



3-phase loop bridge for 6 CONTACTRON modules, with screw connection and 22.5 mm housing width, connecting cable: 1 m

---

Jumper - BRIDGE- 2-3M - 2901543



3-phase loop bridge for 2 CONTACTRON modules, with screw connection and 22.5 mm housing width, connecting cable: 3 m

---

Jumper - BRIDGE- 3-3M - 2901656



3-phase loop bridge for 3 CONTACTRON modules, with screw connection and 22.5 mm housing width, connecting cable: 3 m

---

Jumper - BRIDGE- 5-3M - 2901545



3-phase loop bridge for 5 CONTACTRON modules, with screw connection and 22.5 mm housing width, connecting cable: 3 m

---

Jumper - BRIDGE- 6-3M - 2901697



3-phase loop bridge for 6 CONTACTRON modules, with screw connection and 22.5 mm housing width, connecting cable: 3 m

---

## Hybrid motor starter - ELR H3-I-SC-230AC/500AC-2 - 2900544

### Accessories

Jumper - BRIDGE- 7-3M - 2901698



3-phase loop bridge for 7 CONTACTRON modules, with screw connection and 22.5 mm housing width, connecting cable: 3 m

---

Jumper - BRIDGE- 8-3M - 2901700



3-phase loop bridge for 8 CONTACTRON modules, with screw connection and 22.5 mm housing width, connecting cable: 3 m

---

Jumper - BRIDGE- 9-3M - 2901701



3-phase loop bridge for 9 CONTACTRON modules, with screw connection and 22.5 mm housing width, connecting cable: 3 m

---

Jumper - BRIDGE-10-3M - 2901702



3-phase loop bridge for 10 CONTACTRON modules, with screw connection and 22.5 mm housing width, connecting cable: 3 m

---

Jumper - BRIDGE- 2- 2M/0,3M - 2909897



3-phase loop bridge for 2 CONTACTRON modules, with screw connection and 22.5 mm housing width, cable length between the modules: 0.3 m, connecting cable: 2 m

---

## Hybrid motor starter - ELR H3-I-SC-230AC/500AC-2 - 2900544

### Accessories

Jumper - BRIDGE- 3- 2M/0,3M - 2909898



3-phase loop bridge for 3 CONTACTRON modules, with screw connection and 22.5 mm housing width, cable length between the modules: 0.3 m, connecting cable: 2 m

---

Jumper - BRIDGE- 4- 2M/0,3M - 2909899



3-phase loop bridge for 4 CONTACTRON modules, with screw connection and 22.5 mm housing width, cable length between the modules: 0.3 m, connecting cable: 2 m

---

Phoenix Contact 2020 © - all rights reserved  
<http://www.phoenixcontact.com>

PHOENIX CONTACT GmbH & Co. KG  
Flachsmarktstr. 8  
32825 Blomberg  
Germany  
Tel. +49 5235 300  
Fax +49 5235 3 41200  
<http://www.phoenixcontact.com>



## X-ON Electronics

Largest Supplier of Electrical and Electronic Components

*Click to view similar products for [Terminal Block Interface Modules](#) category:*

*Click to view products by [Phoenix Contact](#) manufacturer:*

Other Similar products are found below :

[73-551-6002I](#) [GCN1MX25B](#) [DIN-50P-01](#) [DIN-68H-01](#) [DIN-96DI-01](#) [2291901](#) [2295185](#) [2907794](#) [2M10FCL](#) [FLKM-2I/O](#) [FLKM-4I/O](#)  
[2281759](#) [2906251](#) [2907808](#) [5601749](#) [5541962](#) [1776613-1](#) [GCN1-004A](#) [ADAM-3920R-AE](#) [060-6827-06](#) [2311030](#) [2287708](#) [XW2C-20G6-](#)  
[IO16](#) [GCN1-T](#) [MACX](#) [MCR-VAC](#) [5775235](#) [ADAM-3956-BE](#) [XW6T-COM2.5X20YL](#) [XW6T-COM1.5X8BL](#) [XW6T-COM1.5X16BL](#)  
[XW6T-COM1.5X20YL](#) [XW6T-COM1.5X16YL](#) [XW6T-COM1.5X20RD](#) [XW6T-COM1.5X20BL](#) [XW6T-COM2.5X8BL](#) [1976610000](#) [UM](#)  
[45-D50SUB/B/ZFKDS](#) [5541234](#) [410-261](#) [902056](#) [2906243](#) [2906915](#) [2907706](#) [ADAM-3909-AE](#) [ADAM-3920-AE](#) [ADAM-3925-AE](#)  
[ADAM-3937-BE](#) [ADAM-3950-AE](#) [ADAM-3951-BE](#) [ADAM-3968-AE](#)