


## Adapter - EM SWD-ADAPTER - 2902776

Please be informed that the data shown in this PDF Document is generated from our Online Catalog. Please find the complete data in the user's documentation. Our General Terms of Use for Downloads are valid (<http://phoenixcontact.com/download>)

SmartWire DT™ adapter for CONTACTRON hybrid motor starters, with "Enable" input for safe shutdown up to PLe/SIL 3.



### Key Commercial Data

Packing unit	1 pc
GTIN	 4 046356 701037
GTIN	4046356701037

### Technical data

#### Dimensions

Width	22.5 mm
Height	165 mm
Depth	114.5 mm

#### General

Color	green
Degree of protection	IP20

#### Standards and Regulations

Standards/regulations	IEC 60947-1
	EN 60947-1
Pollution degree	2
Overvoltage category	III

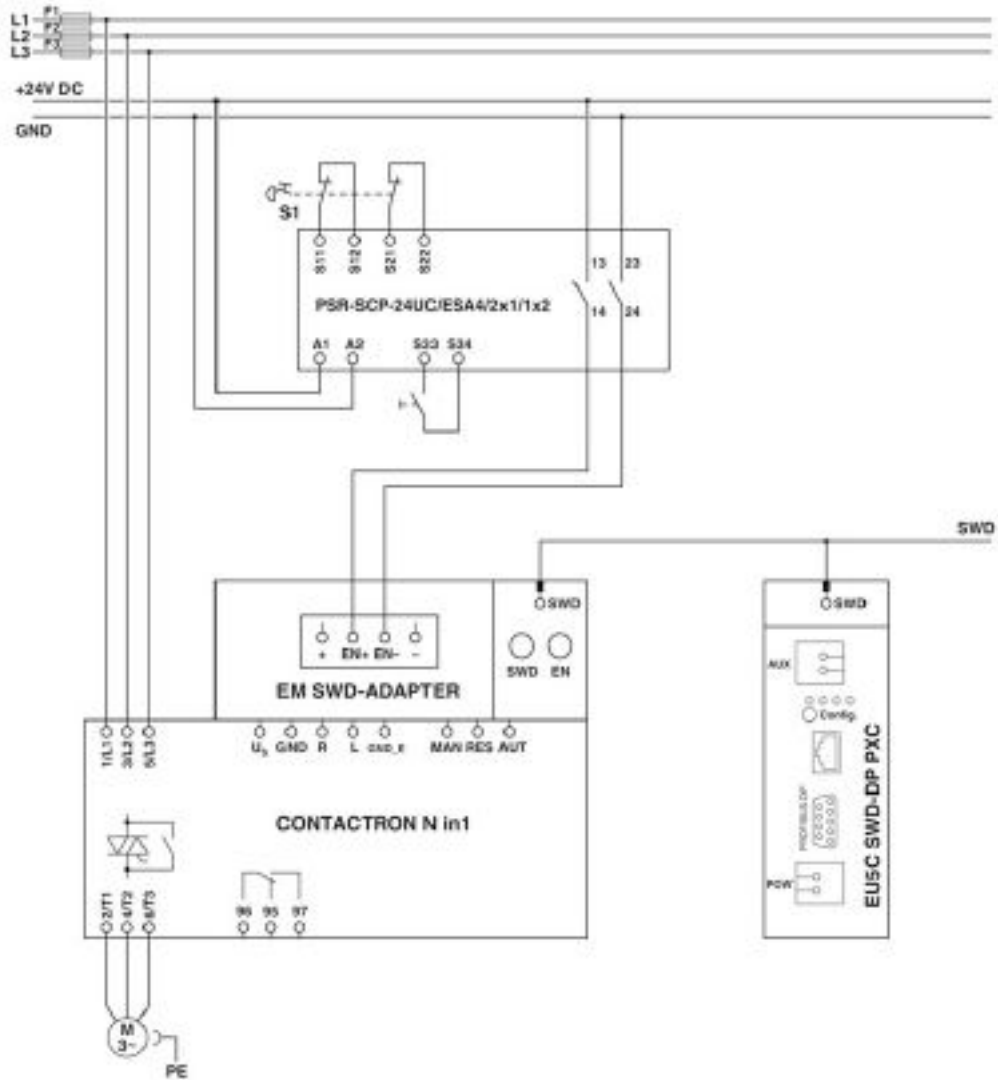
#### Environmental Product Compliance

REACH SVHC	Lead 7439-92-1
China RoHS	Environmentally Friendly Use Period = 50 years
	For details about hazardous substances go to tab "Downloads", Category "Manufacturer's declaration"

### Drawings

# Adapter - EM SWD-ADAPTER - 2902776

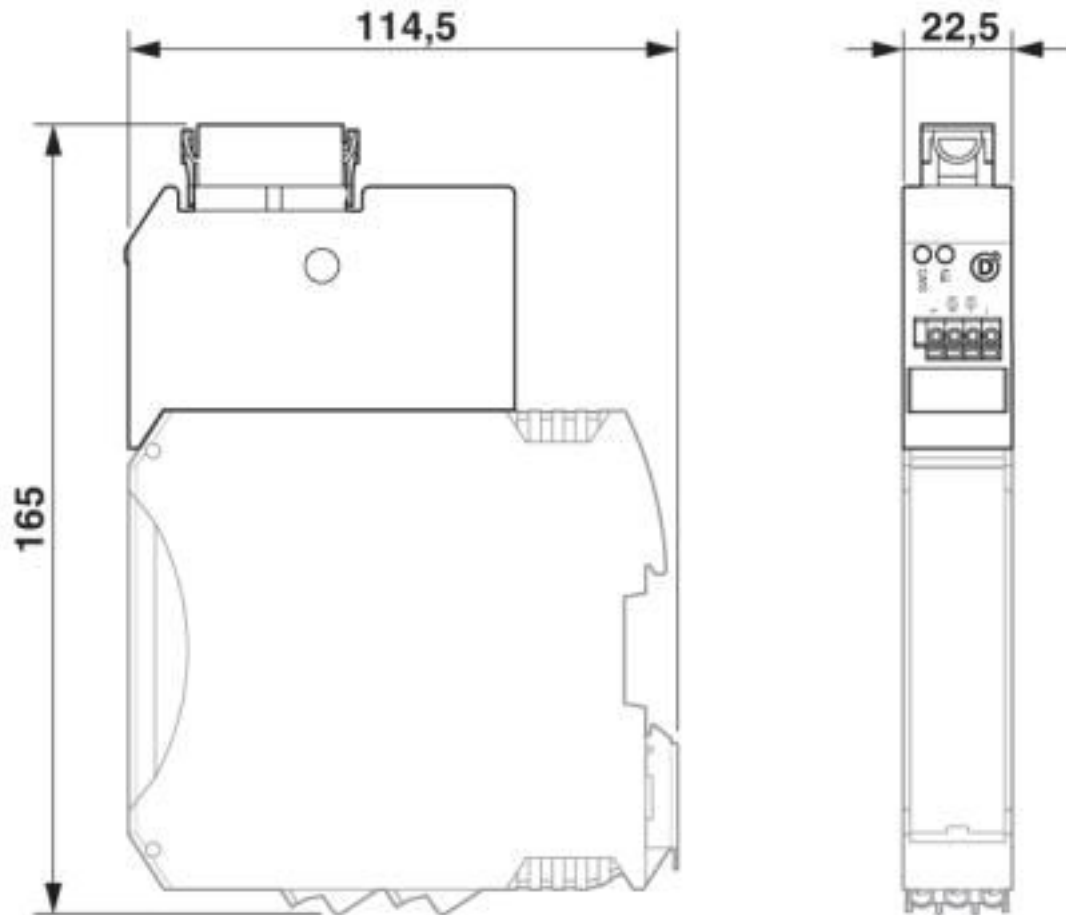
Circuit diagram



EMERGENCY STOP wiring example (two-channel)

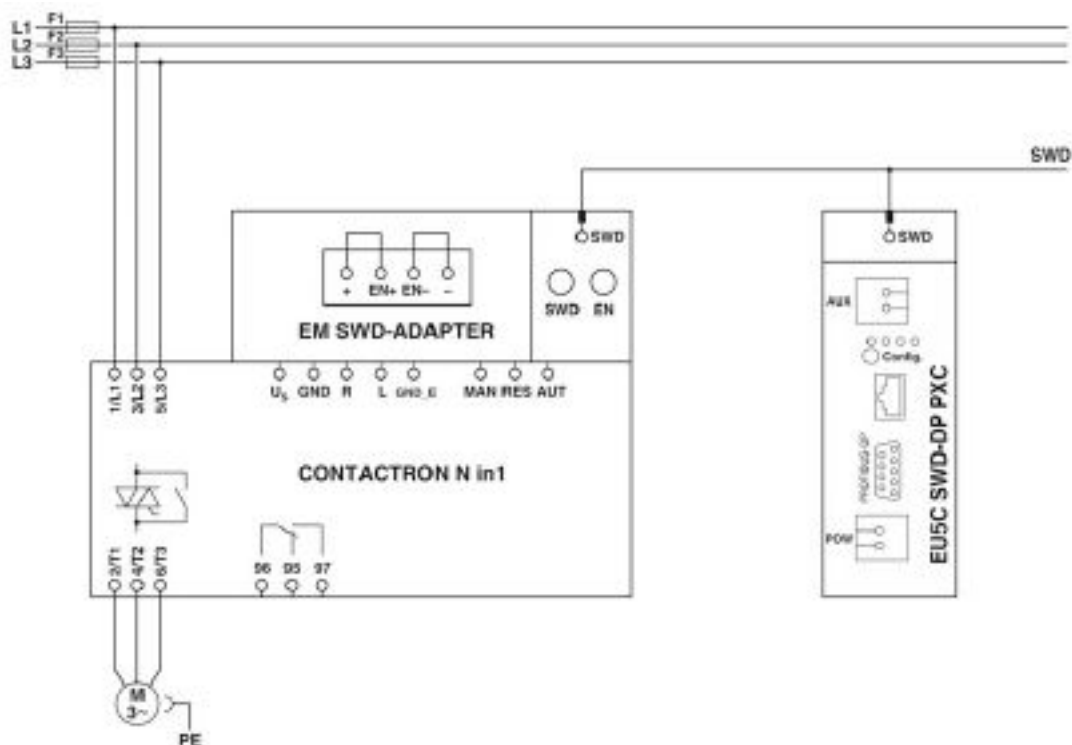
## Adapter - EM SWD-ADAPTER - 2902776

Dimensional drawing



# Adapter - EM SWD-ADAPTER - 2902776

Circuit diagram



Wiring example without EMERGENCY STOP

## Classifications

eCl@ss

eCl@ss 10.0.1	27371392
eCl@ss 4.0	27378000
eCl@ss 4.1	27378000
eCl@ss 5.0	27379100
eCl@ss 5.1	27379100
eCl@ss 6.0	27379200
eCl@ss 7.0	27379201
eCl@ss 8.0	27379201
eCl@ss 9.0	27379201

ETIM

ETIM 4.0	EC002498
ETIM 5.0	EC002498
ETIM 6.0	EC002498
ETIM 7.0	EC002498

UNSPSC

UNSPSC 6.01	30211915
-------------	----------

# Adapter - EM SWD-ADAPTER - 2902776

## Classifications

### UNSPSC

UNSPSC 7.0901	39121514
UNSPSC 11	39121514
UNSPSC 12.01	39121514
UNSPSC 13.2	39121421
UNSPSC 18.0	39121421
UNSPSC 19.0	39121421
UNSPSC 20.0	39121421
UNSPSC 21.0	39121421

## Approvals

### Approvals

Approvals

UL Listed / cUL Listed / EAC / cULus Listed

Ex Approvals

### Approval details

UL Listed		<a href="http://database.ul.com/cgi-bin/XYV/template/LISEXT/1FRAME/index.htm">http://database.ul.com/cgi-bin/XYV/template/LISEXT/1FRAME/index.htm</a>	FILE E 228652
-----------	--	---	---------------

cUL Listed		<a href="http://database.ul.com/cgi-bin/XYV/template/LISEXT/1FRAME/index.htm">http://database.ul.com/cgi-bin/XYV/template/LISEXT/1FRAME/index.htm</a>	FILE E 228652
------------	--	---	---------------

EAC		RU C- DE.A*30.B.01742
-----	--	--------------------------

cULus Listed	
--------------	--

## Accessories

Accessories

Assembly tool

## Adapter - EM SWD-ADAPTER - 2902776

### Accessories

Tool - SWD4-CRP-1 PXC - 2903110



SmartWire DT™ pliers for device plugs

---

### Mounting material

Plug - SWD4-8SF2-5 PXC - 2903107



SmartWire DT™ device plug, 8-pos.

---

### Necessary add-on products

Hybrid motor starter - ELR H5-IES-SC-SWD/500AC-0,6 - 2903116



Hybrid motor starter for reversing 3~ AC motors up to 550 V AC, 0.6 A output current, adjustable overload shutdown and safe emergency stop up to PLe/SIL 3 and SmartWire--DT™ adapter as a set.

---

Hybrid motor starter - ELR H5-IES-SC-SWD/500AC-2 - 2903117



Hybrid motor starter for reversing 3~ AC motors up to 550 V AC, 2.4 A output current, adjustable overload shutdown and safe emergency stop up to PLe/SIL 3 and SmartWire-DT™ adapter as a set.

---

Hybrid motor starter - ELR H5-IES-SC-SWD/500AC-9 - 2903118



Hybrid motor starter for reversing 3~ AC motors up to 550 V AC, 9 A output current, adjustable overload shutdown and safe emergency stop up to PLe/SIL 3 and SmartWire-DT™ adapter as a set.

---

## Adapter - EM SWD-ADAPTER - 2902776

### Accessories

#### Hybrid motor starter - ELR H51-IESSC-24DC500AC-06 - 2902746



Short-circuit-proof hybrid motor starter for reversing 3~ AC motors up to 550 V AC, with 24 V DC input, 0.6 A output current, emergency stop function, and adjustable overload shutdown. Can only be used with EM-RD and EM-RI adapters or power distribution board.

---

#### Hybrid motor starter - ELR H51-IESSC-24DC500AC-2 - 2902744



Short-circuit-proof hybrid motor starter for reversing 3~ AC motors up to 550 V AC, with 24 V DC input, 2.4 A output current, emergency stop function, and adjustable overload shutdown. Can only be used with EM-RD and EM-RI adapters or power distribution board.

---

#### Hybrid motor starter - ELR H51-IESSC-24DC500AC-9 - 2902745



Short-circuit-proof hybrid motor starter for reversing 3~ AC motors up to 550 V AC, with 24 V DC input, 9 A output current, emergency stop function, and adjustable overload shutdown. Can only be used with EM-RD adapter, EM-RI adapter or power distribution board.

---

#### Hybrid motor starter - ELR H51-0.6-DIN-RAIL-SET - 2902952



Complete package consisting of ELR H51-IESSC-24DC500AC-06 and EM-RD-ADAPTER for mounting on 35 mm DIN rails.

---

#### Hybrid motor starter - ELR H51-2.4-DIN-RAIL-SET - 2902953



Complete package consisting of ELR H51-IESSC-24DC500AC-2 and EM-RD-ADAPTER for mounting on 35 mm DIN rails.

## Adapter - EM SWD-ADAPTER - 2902776

### Accessories

Hybrid motor starter - ELR H51-9-DIN-RAIL-SET - 2902954



Complete package consisting of ELR H51-IESSC-24DC500AC-9 and EM-RD-ADAPTER for mounting on 35 mm DIN rails.

---

Hybrid motor starter - ELR H5-IES-SC- 24DC/500AC-0,6 - 2900582



Hybrid motor starter for reversing 3~ AC motors up to 500 V AC and 0.6 A output current, with 24 V DC control voltage, adjustable overload shutdown, emergency stop function to SIL 3/PL e, and screw connection.

---

Hybrid motor starter - ELR H5-IES-SC- 24DC/500AC-2 - 2900414



Hybrid motor starter for reversing 3~ AC motors up to 500 V AC and 2.4 A output current, with 24 V DC control voltage, adjustable overload shutdown and emergency stop function to SIL 3 / PL e and screw connection

---

Hybrid motor starter - ELR H5-IES-SC- 24DC/500AC-9 - 2900421



Hybrid motor starter for reversing 3~ AC motors up to 500 V AC and 9 A output current, with 24 V DC control voltage, adjustable overload shutdown, emergency stop function to SIL 3/PL e, and screw connection.

---

Hybrid motor starter - ELR H3-IES-SC- 24DC/500AC-0,6 - 2900566



Hybrid motor starter for starting 3~ AC motors up to 500 V AC and 0.6 A output current, with 24 V DC control voltage, adjustable overload shutdown and emergency stop function to SIL3 /PL e, and screw connection.

---



## Adapter - EM SWD-ADAPTER - 2902776

### Accessories

Hybrid motor starter - ELR H3-IES-SC- 24DC/500AC-2 - 2900567



Hybrid motor starter for starting 3~ AC motors up to 500 V AC and 2.4 A output current, with 24 V DC control voltage, adjustable overload shutdown and emergency stop function to SIL 3/PL e and, screw connection.

---

Hybrid motor starter - ELR H3-IES-SC- 24DC/500AC-9 - 2900569



Hybrid motor starter for starting 3~ AC motors up to 500 V AC and 9 A output current, with 24 V DC control voltage, adjustable overload shutdown and emergency stop function to SIL3 /PL e, and screw connection.

---

Hybrid motor starter - ELR W3- 24DC/500AC- 2I - 2297031



"4 in 1" three-phase semiconductor reversing contactor with 24 V DC input, 2 A output current, emergency stop function, and adjustable overload shutdown.

---

Hybrid motor starter - ELR W3- 24DC/500AC- 9I - 2297057



"4 in 1" three-phase semiconductor reversing contactor with 24 V DC input, 9 A output current, emergency stop function, and adjustable overload switching.

---

Hybrid motor starter - ELR H5-I-SC- 24DC/500AC-0,6 - 2900573



Hybrid motor starter for reversing 3~ AC motors up to 500 V AC and 0.6 A output current, with 24 V DC control voltage, adjustable overload shutdown, and screw connection.

---

## Adapter - EM SWD-ADAPTER - 2902776

### Accessories

Hybrid motor starter - ELR H5-I-SC- 24DC/500AC-2 - 2900574



Hybrid motor starter for reversing 3~ AC motors up to 500 V AC and 2.4 A output current, with 24 V DC control voltage, adjustable overload shutdown, and screw connection.

---

Hybrid motor starter - ELR H5-I-SC- 24DC/500AC-9 - 2900576



Hybrid motor starter for reversing 3~ AC motors up to 500 V AC and 9 A output current, with 24 V DC control voltage, adjustable overload shutdown, and screw connection.

---

Hybrid motor starter - ELR H3-I-SC- 24DC/500AC-0,6 - 2900542



Hybrid motor starter for starting 3~ AC motors up to 500 V AC and 0.6 A output current, with 24 V DC control voltage, adjustable overload shutdown, and screw connection.

---

Hybrid motor starter - ELR H3-I-SC- 24DC/500AC-2 - 2900543



Hybrid motor starter for starting 3~ AC motors up to 500 V AC and 2.4 A output current, with 24 V DC control voltage, adjustable overload shutdown, and screw connection.

---

Hybrid motor starter - ELR H3-I-SC- 24DC/500AC-9 - 2900545



Hybrid motor starter for starting 3~ AC motors up to 500 V AC and 9 A output current, with 24 V DC control voltage, adjustable overload shutdown, and screw connection.

---

---

Phoenix Contact 2020 © - all rights reserved  
<http://www.phoenixcontact.com>

PHOENIX CONTACT GmbH & Co. KG  
Flachmarktstr. 8  
32825 Blomberg  
Germany  
Tel. +49 5235 300  
Fax +49 5235 3 41200  
<http://www.phoenixcontact.com>

## X-ON Electronics

Largest Supplier of Electrical and Electronic Components

*Click to view similar products for [DIN Rail Power Supplies](#) category:*

*Click to view products by [Phoenix Contact](#) manufacturer:*

Other Similar products are found below :

[PS-S6024](#) [DVP01PU-S](#) [DVP06AD-S](#) [DVP06XA-S](#) [DVDPNET-SL](#) [DVPDT01-S](#) [DVPPS01](#) [PS-6012](#) [PS9Z-5R1G](#) [PS-C24024](#)  
[DVP08ST11N](#) [DVPACAB530](#) [DVPCOPM-SL](#) [DVPEN01-SL](#) [DVPPF01-S](#) [ADNB008-48-1PM-C](#) [ADNB017-24-1PM-C](#) [ADNB040-24-1PM-C](#) [ADNB034-12-1PM-C](#) [SS14011524](#) [PS-UPS40](#) [PSC-6024](#) [PSD-A60W12](#) [96PS-A120WDIN](#) [PSD-A60W48](#) [PSD-A40W12](#) [PSD-A40W24](#) [SMP21-L20-DC24V-5A](#) [PSD-A40W48](#) [S8T-DCBU-02](#) [PS-S4024](#) [NTPS-24-1.3](#) [ZI-20](#) [PST-96024](#) [S82YVSC4P](#) [PS-S4005](#) [PS-10024](#) [PS-S10024](#) [PS-C12024](#) [PSP-480S24](#) [PS-C48024](#) [PSC-2024](#) [PSC-4012](#) [PSC-4048](#) [PSC-9615](#) [PSC-15124](#) [PSC-15148](#) [PSC-24148](#) [PSC-48148](#) [TRIO-PS-2G/1AC/12DC/5/C2LP](#)