

Controller - PLC-V8C/SC-24DC/BM - 2903094

Please be informed that the data shown in this PDF Document is generated from our Online Catalog. Please find the complete data in the user's documentation. Our General Terms of Use for Downloads are valid (<http://phoenixcontact.com/download>)



PLC logic basic logic module, generation 1, with 16 I/Os, can be plugged onto 8 digital PLC-INTERFACE terminal blocks, can be extended to 48 I/Os, realtime clock, accommodates memory module and Bluetooth adapter (firmware update required, see downloads), screw connection



Key Commercial Data

Packing unit	1 pc
GTIN	
GTIN	4046356712842

Technical data

Note

Utilization restriction	EMC: class A product, see manufacturer's declaration in the download area
-------------------------	---------------------------------------------------------------------------

Power supply

Supply voltage	24 V DC
Supply voltage range	19.2 V DC ... 26.4 V DC
Maximum input current at U _N	120 mA
Protective circuit	Reverse polarity protection
	Surge protection
Status display	Green LED

Input data (digital)

Number of inputs	8 (2 configurable as analog)
Description of the input	EN 61131-2, type 3
Input voltage	24 V DC
Signal level "0" signal	< 5 V
Signal level "1" signal	> 11 V
Input current "0" signal	< 1 mA
Input current "1" signal	typ. 2.5 mA

Controller - PLC-V8C/SC-24DC/BM - 2903094

Technical data

Input data (digital)

Status display	Yellow LED
----------------	------------

Input data (analog)

Number of inputs	2 (IN6 and IN7 are configurable as analog)
Input voltage range	0 V ... 10 V
Input resistance	> 3.5 kΩ

Input data (PLC-INTERFACE)

Number of inputs	≤ 8
Description of the input	technical data depends on the PLC-INTERFACE terminal block used
Input voltage	19 V DC
Typical current consumption	4 mA
Input resistance	< 100 mΩ

Output data

Number of outputs	≤ 8
Nominal output voltage	24 V DC
Nominal current	9 mA

General

Realtime clock accuracy	±2 s/d
Realtime clock buffer time	24 h (Capacitor)
Color	green
Mounting position	any
Assembly instructions	can be plugged onto 8 x PLC-INTERFACE terminal blocks
Operating mode	100% operating factor
Degree of protection	IP20

Connection data (supply and digital inputs)

Connection method	Screw connection
Stripping length	7 mm
Screw thread	M2
Conductor cross section solid	0.14 mm ² ... 1.5 mm ²
Conductor cross section flexible	0.14 mm ² ... 1.5 mm ²
	0.25 mm ² ... 0.5 mm ² (Ferrule with plastic sleeve)
	0.25 mm ² ... 1.5 mm ² (Ferrules without plastic sleeve)
Conductor cross section AWG	28 ... 16
Number of connections	1
Number of positions	10
Note	Device supply and 8 x inputs

Connection data (programming interface)

Connection method	Micro USB type B
Number of connections	1

Controller - PLC-V8C/SC-24DC/BM - 2903094

Technical data

Connection data (INTERFACE system)

Connection method	Spring-cage connection
Stripping length	6 mm
Conductor cross section solid	0.14 mm ² ... 0.5 mm ²
Conductor cross section flexible	0.2 mm ² ... 0.5 mm ²
Conductor cross section AWG	26 ... 20
Number of connections	1
Number of positions	3

Connection data (PLC V8C bus)

Connection method	Insulation displacement connection
Number of connections	1
Number of positions	4

Connection data (memory)

Connection method	S-PORT (socket)
Number of connections	1
Number of positions	12
Note	For connecting the memory module

Ambient conditions

Ambient temperature (operation)	-20 °C ... 45 °C
Ambient temperature (storage/transport)	-20 °C ... 70 °C
Max. permissible relative humidity (operation)	95 %

Dimensions

Width	50 mm
Height	106 mm
Depth	87 mm

Standards and Regulations

Designation	Air clearances and creepage distances between the power circuits
Standards/regulations	DIN EN 50178
Rated insulation voltage	50 V
Rated surge voltage	0.8 kV
Insulation	Basic insulation
Pollution degree	2
Overvoltage category	III
Conformance	CE-compliant

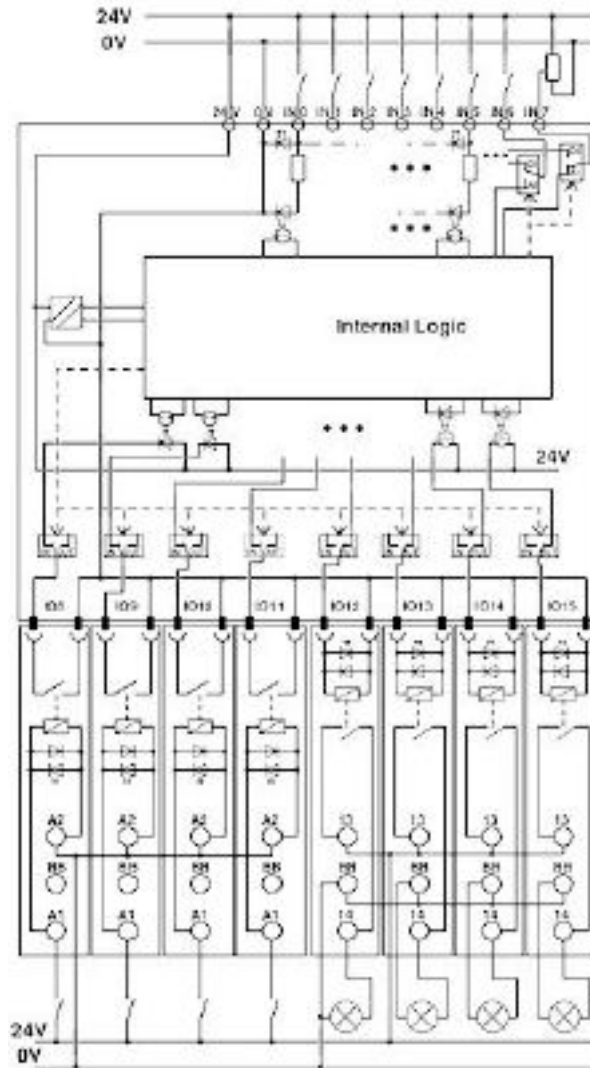
Environmental Product Compliance

China RoHS	Environmentally Friendly Use Period = 50 years
	For details about hazardous substances go to tab "Downloads", Category "Manufacturer's declaration"

Controller - PLC-V8C/SC-24DC/BM - 2903094

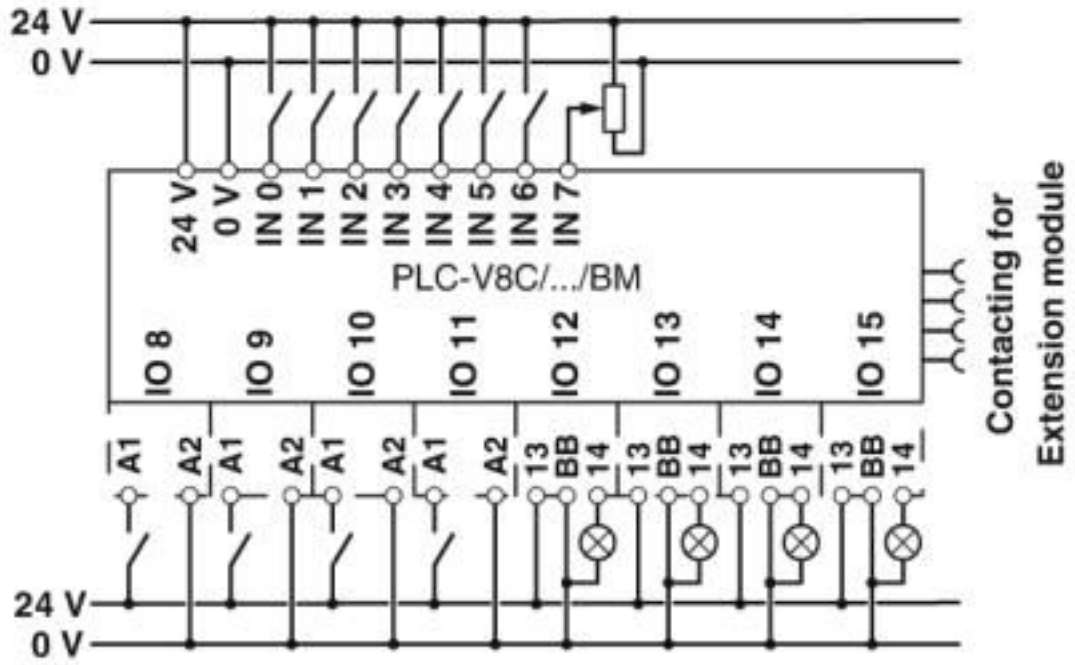
Drawings

Circuit diagram



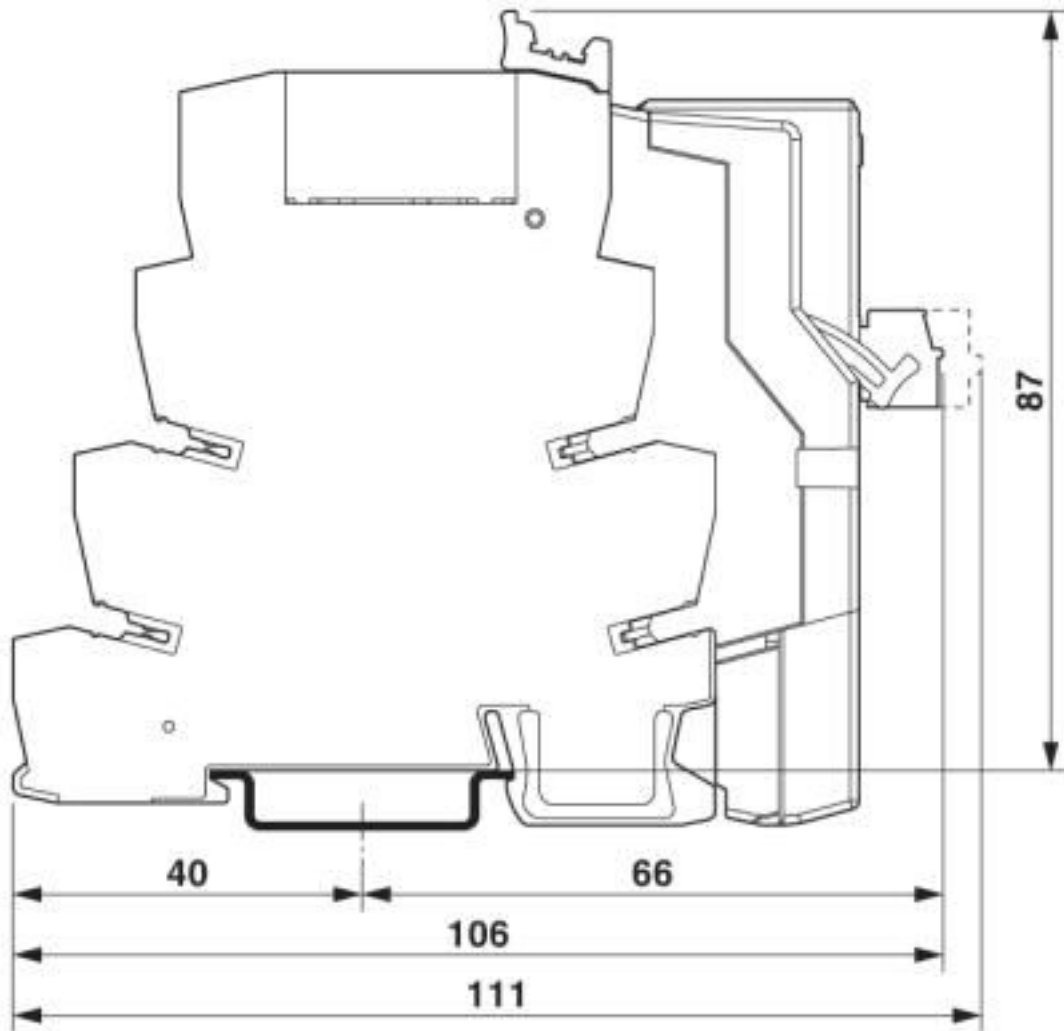
Controller - PLC-V8C/SC-24DC/BM - 2903094

Connection diagram



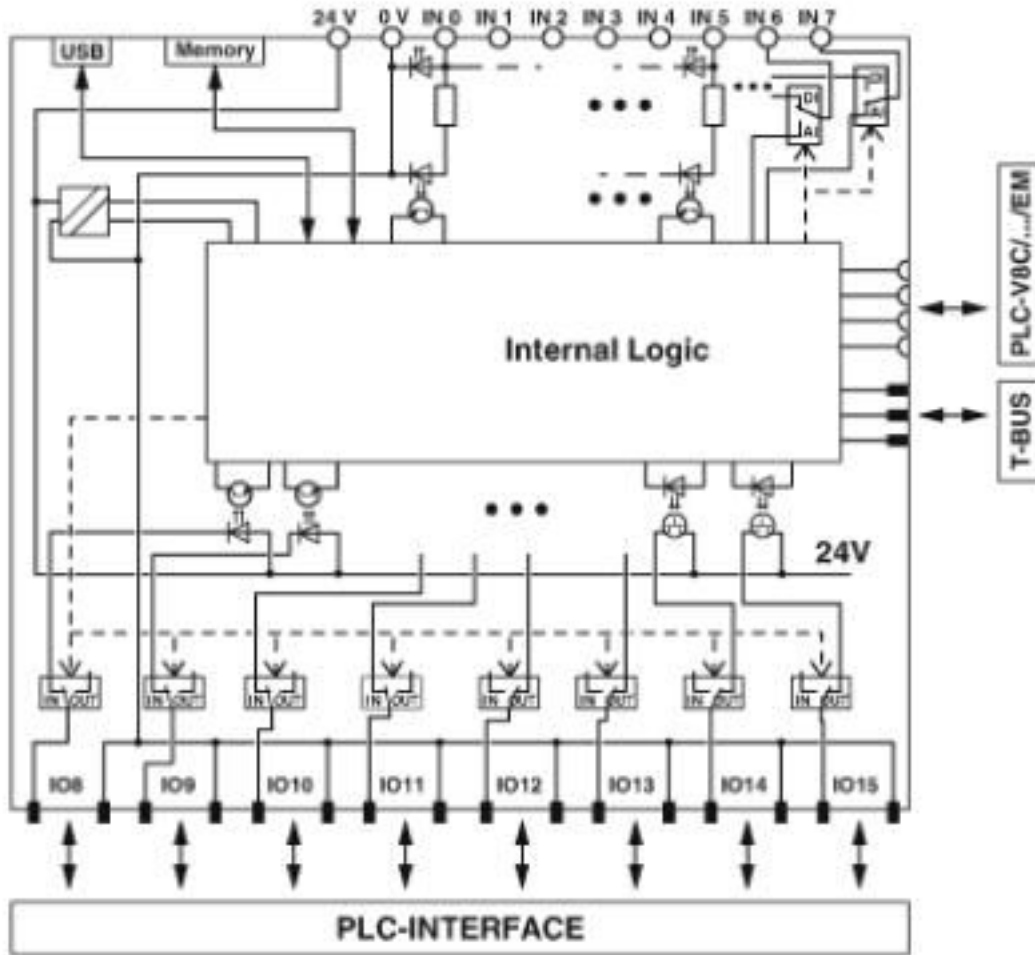
Controller - PLC-V8C/SC-24DC/BM - 2903094

Dimensional drawing



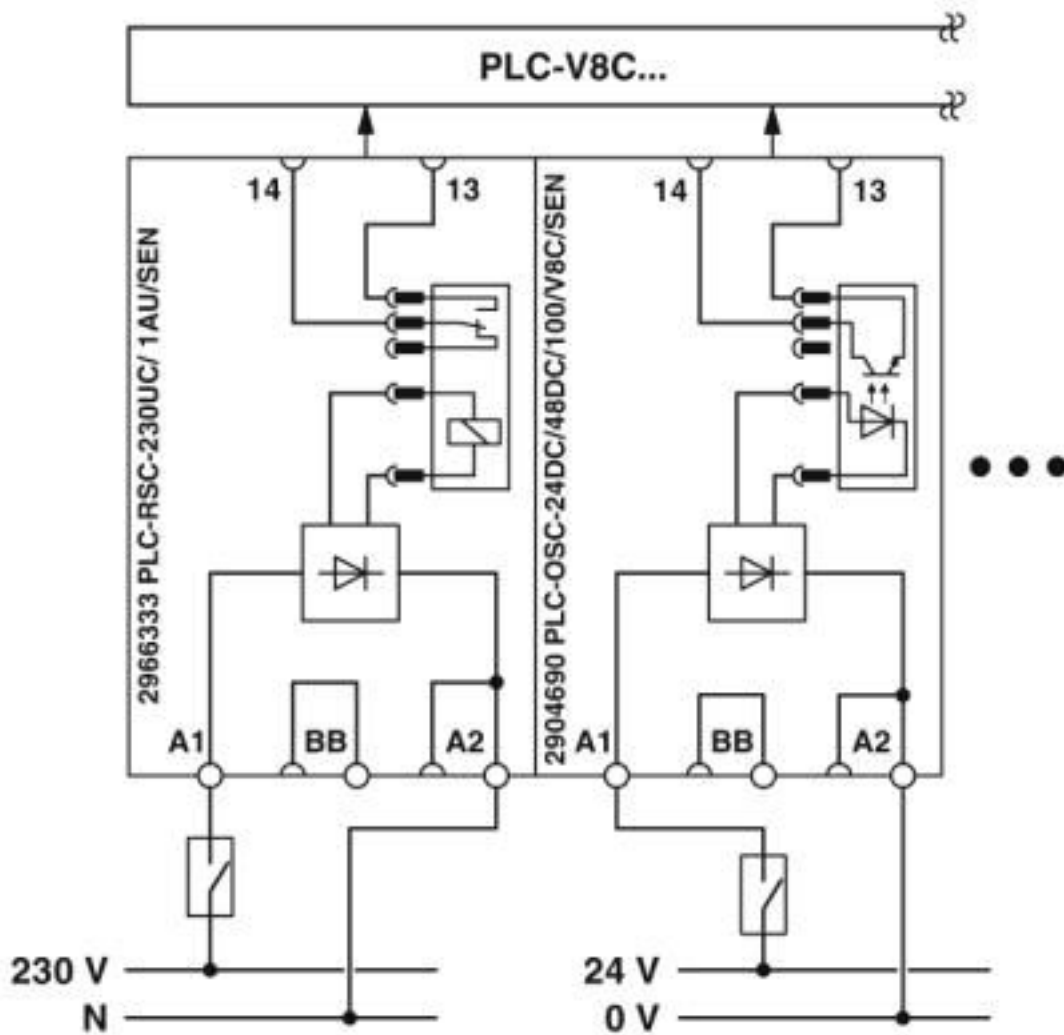
Controller - PLC-V8C/SC-24DC/BM - 2903094

Circuit diagram



Controller - PLC-V8C/SC-24DC/BM - 2903094

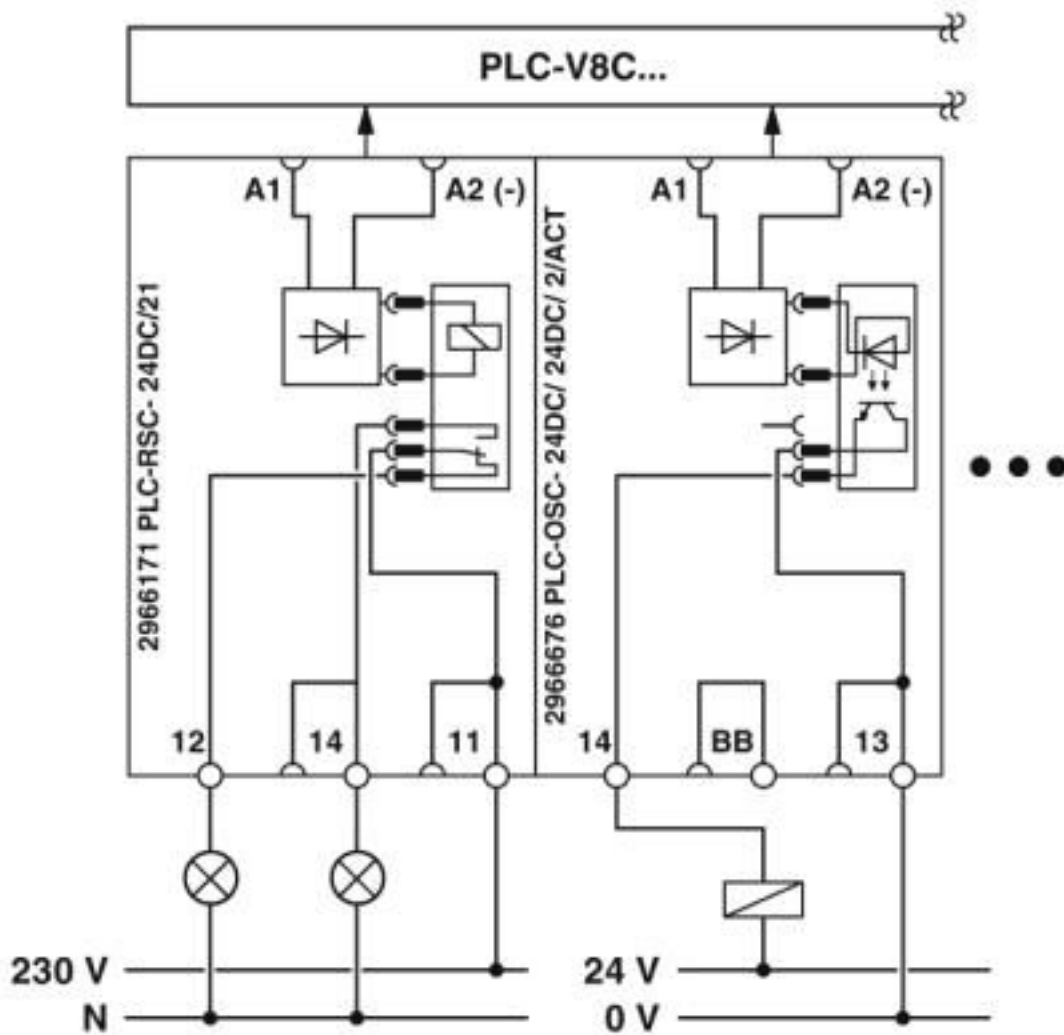
Circuit diagram



Basic circuit diagram: inputs via PLC-INTERFACE with the example of one input terminal block with relay (230 V AC) and one input terminal block with solid-state relay (24 V DC).

Controller - PLC-V8C/SC-24DC/BM - 2903094

Circuit diagram



Basic circuit diagram: outputs via PLC-INTERFACE with the example of an output terminal block with relay, 1 PDT, and an output terminal block with solid-state relay.

Classifications

eCl@ss

eCl@ss 4.0	27242216
eCl@ss 4.1	27242216
eCl@ss 5.0	27242216
eCl@ss 5.1	27242700
eCl@ss 6.0	27242200
eCl@ss 7.0	27242216
eCl@ss 8.0	27242216
eCl@ss 9.0	27242216

Controller - PLC-V8C/SC-24DC/BM - 2903094

Classifications

ETIM

ETIM 2.0	EC001417
ETIM 3.0	EC001417
ETIM 4.0	EC001417
ETIM 5.0	EC001417
ETIM 6.0	EC001417

UNSPSC

UNSPSC 13.2	39122329
UNSPSC 19.0	39122329

Accessories

Accessories

Adapter cable

Connecting cable - PLC-V8C/CAB/TBUS/0,3M - 2905263



Round cable set; controller: PLC logic (connection to the DIN rail connector); connection 1: COMBICON connectors (1x 3-position); connection 2: COMBICON connectors (1x 5-position); cable length: 0.3 m

DIN rail connector

DIN rail bus connectors - ME 22,5 TBUS 1,5/ 5-ST-3,81 GN - 2707437



DIN rail connector, nominal current: 8 A, rated voltage (III/2): 125 V, number of positions: 5, pitch: 3.81 mm, color: green, mounting: DIN rail, Item with gold-plated contacts, bus connectors for connecting with electronics housings, 5 parallel contacts

Extension module

Extension module - PLC-V8C/SC-24DC/EM - 2903095



PLC logic extension logic module with 16 I/Os for plug-in connection to 8 PLC-INTERFACE terminal blocks for extending the basic module (a maximum of two extension modules can be connected to a basic module), screw connection

Gateways/Proxies

Controller - PLC-V8C/SC-24DC/BM - 2903094

Accessories

Data interface - EM-PB-GATEWAY-IFS - 2297620



Gateway for the connection of up to 32 INTERFACE system devices to a higher-level controller via PROFIBUS DP. The INTERFACE system devices are connected to the Gateway via DIN rail connectors, the DIN rail connectors are provided.

Data interface - EM-RS232-GATEWAY-IFS - 2901526



Gateway for the connection of up to 32 INTERFACE system devices to a higher-level controller via Modbus/RS-232. The INTERFACE system devices are connected to the Gateway via DIN rail connectors, the DIN rail connectors are provided.

Data interface - EM-RS485-GATEWAY-IFS - 2901527



Gateway for the connection of up to 32 INTERFACE system devices to a higher-level controller via Modbus/RS-485. The INTERFACE system devices are connected to the Gateway via DIN rail connectors, the DIN rail connectors are provided.

Data interface - EM-MODBUS-GATEWAY-IFS - 2901528



Gateway for the connection of up to 32 INTERFACE system devices via Modbus/TCP to a higher-level controller. The INTERFACE system devices are connected to the Gateway via DIN rail connectors, the DIN rail connectors are provided.

Data interface - EM-DNET-GATEWAY-IFS - 2901529



Gateway for the connection of up to 32 INTERFACE system devices to a higher-level controller via DeviceNet™. The INTERFACE system devices are connected to the Gateway via DIN rail connectors, the DIN rail connectors are provided.

Controller - PLC-V8C/SC-24DC/BM - 2903094

Accessories

Data interface - EM-CAN-GATEWAY-IFS - 2901504



Gateway for the connection of up to 32 INTERFACE system devices to a higher-level controller via CANopen[®]. The INTERFACE system devices are connected to the Gateway via DIN rail connectors, the DIN rail connectors are provided.

Data interface - EM-PNET-GATEWAY-IFS - 2904472



Gateway for the connection of up to 32 INTERFACE system devices via PROFINET to a higher-level controller. The INTERFACE system devices are connected to the Gateway via DIN rail connectors, the DIN rail connectors are provided.

Data interface - EM-ETH-GATEWAY-IFS - 2901988



Gateway for the connection of up to 32 INTERFACE system devices to a higher-level controller via EtherNet/IP[™]. The INTERFACE system devices are connected to the Gateway via DIN rail connectors, the DIN rail connectors are provided.

Labeled terminal marker

Zack Marker strip, flat - ZBF 19,7 CUS - 0825021



Zack Marker strip, flat, can be ordered: Strip, white, labeled according to customer specifications, mounting type: snap into flat marker groove, for terminal block width: 19.7 mm, lettering field size: 5.15 x 19.7 mm, Number of individual labels: 5

Memory block

Memory block - IFS-CONFSTICK - 2986122



Multi-functional memory block for the INTERFACE systemf for easy storage and backup of the configuration.

Programming adapter

Controller - PLC-V8C/SC-24DC/BM - 2903094

Accessories

Adapter - IFS-BT-PROG-ADAPTER - 2905872



Bluetooth adapter with micro USB and S-PORT interface for wireless communication with the MINI Analog, MINI Analog Pro, MACX Analog, INTERFACE system gateways, and PLC logic device series.

Programming cable

Connecting cable - CAB-USB A/MICRO USB B/2,0M - 2701626



Connecting cable, for connecting the controller to a PC for PC Worx and LOGIC+, USB A to micro USB B, 2 m in length.

Relay Module

Relay Module - PLC-RPT- 24DC/21 - 2900299



PLC-INTERFACE, consisting of PLC-BPT.../21 basic terminal block with push-in technology and plug-in miniature relay with power contact, for mounting on NS 35/7,5 DIN rails, 1 PDT, input voltage: 24 V DC

Relay Module - PLC-RPT- 24DC/21AU - 2900306



PLC-INTERFACE, consisting of PLC-BPT.../21 basic terminal block with push-in connection and plug-in miniature relay with multi-layer gold contact, for mounting on DIN rail NS 35/7,5, 1 PDT, input voltage 24 V DC

Relay Module - PLC-RPT- 24DC/ 1/ACT - 2900312



PLC-INTERFACE for output functions, consisting of PLC-BPT.../ACT basic terminal block with push-in connection and plug-in miniature relay with power contact, for mounting on DIN rail NS 35/7,5, 1 N/O contact, input voltage 24 V DC

Controller - PLC-V8C/SC-24DC/BM - 2903094

Accessories

Switch - PLC-RPT- 24UC/ 1/S/H - 2900328



PLC-INTERFACE with switch (operation by hand) and integrated power contact relay for the "Manual, Zero and Automatic" functions, with push-in connection, for mounting on DIN rail NS 35/7.5, one N/O contact, input voltage 24 V AC/DC

Relay Module - PLC-RSC- 24DC/21 - 2966171



PLC relay, consisting of base terminal block PLC-BSC.../21 with screw connection and pluggable miniature relay with power contact, for assembly on DIN rail NS 35/7.5, 1 PDT, input voltage 24 V DC

Relay Module - PLC-RSC- 24DC/21AU - 2966265



PLC-INTERFACE, consisting of PLC-BSC.../21 basic terminal block with screw connection and plug-in miniature relay with multi-layer gold contact, for mounting on DIN rail NS 35/7,5, 1 PDT, input voltage 24 V DC

Switch - PLC-RSC- 24UC/ 1/S/H - 2982236



PLC-INTERFACE with switch (operation by hand) for the "Manual, Zero, and Automatic" functions, with screw connection and integrated power contact relay, for mounting on DIN rail NS 35/7,5, 1 N/O contact, input voltage 24 V AC/DC

Relay Module - PLC-RPT- 24DC/ 1AU/SEN - 2900313



PLC-INTERFACE for input functions, consisting of PLC-BPT.../SEN basic terminal block with push-in connection and plug-in miniature relay with multi-layer gold contact, for mounting on DIN rail NS 35/7,5, 1 N/O contact, input voltage 24 V DC

Controller - PLC-V8C/SC-24DC/BM - 2903094

Accessories

Relay Module - PLC-RPT-120UC/ 1AU/SEN - 2900314



PLC-INTERFACE for input functions, consisting of PLC-BPT.../SEN basic terminal block with push-in connection and plug-in miniature relay with multi-layer gold contact, for mounting on DIN rail NS 35/7,5, 1 N/O contact, input voltage 120 V AC/110 V DC

Relay Module - PLC-RPT-230UC/ 1AU/SEN - 2900315



PLC-INTERFACE for input functions, consisting of PLC-BPT.../SEN basic terminal block with push-in connection and plug-in miniature relay with multi-layer gold contact, for mounting on DIN rail NS 35/7,5, 1 N/O contact, input voltage 230 V AC/220 V DC

Relay Module - PLC-RSC- 24DC/ 1AU/SEN - 2966317



PLC-INTERFACE for input functions, consisting of PLC-BSC.../SEN basic terminal block with screw connection and plug-in miniature relay with multi-layer gold contact, for mounting on DIN rail NS 35/7,5, 1 N/O contact, input voltage 24 V DC

Relay Module - PLC-RSC-120UC/ 1AU/SEN - 2966320



PLC-INTERFACE for input functions, consisting of PLC-BSC.../SEN basic terminal block with screw connection and plug-in miniature relay with multi-layer gold contact, for mounting on DIN rail NS 35/7,5, 1 N/O contact, input voltage 120 V AC/110 V DC

Relay Module - PLC-RSC-230UC/ 1AU/SEN - 2966333



PLC-INTERFACE for input functions, consisting of PLC-BSC.../SEN basic terminal block with screw connection and plug-in miniature relay with multi-layer gold contact, for mounting on DIN rail NS 35/7,5, 1 N/O contact, input voltage 230 V AC/220 V DC

Relay socket

Controller - PLC-V8C/SC-24DC/BM - 2903094

Accessories

Relay base - PLC-BSC- 5DC/ 1/SEN - 2980267



6.2 mm PLC basic terminal block for output functions with screw connection, without relay or solid-state relay, for mounting on DIN rail NS 35/7,5, with load return line connection (BB), 1 N/O contact, input voltage 5 V DC

Relay base - PLC-BPT- 24DC/21 - 2900445



6.2 mm PLC basic terminal block with push-in connection, without relay or solid-state relay, for mounting on DIN rail NS 35/7,5, 1 PDT, input voltage 24 V DC

Relay base - PLC-BPT- 24DC/ 1/SEN - 2900262



6.2 mm PLC basic terminal block for input functions with push-in connection, without relay or solid-state relay, for mounting on DIN rail NS 35/7,5, with sensor supply voltage distribution (BB), 1 N/O contact, input voltage 24 V DC

Relay base - PLC-BSC- 24DC/21 - 2966016



6.2 mm PLC basic terminal block with screw connection, without relays or solid-state relay, for mounting on DIN rail NS 35/7,5, 1 PDT, input voltage 24 V DC

Relay base - PLC-BSC- 24DC/ 1/SEN - 2966061



6.2 mm PLC basic terminal block for input functions with screw connection, without relay or solid-state relay, for mounting on DIN rail NS 35/7,5, with sensor supply voltage distribution (BB), 1 N/O contact, input voltage 24 V DC

Screwdriver tools

Controller - PLC-V8C/SC-24DC/BM - 2903094

Accessories

Screwdriver - SZS 0,4X2,5 VDE - 1205037



Screwdriver, slot-headed, VDE insulated, size: 0.4 x 2.5 x 80 mm, 2-component grip, with non-slip grip

Solid-state relay module

Solid-state relay module - PLC-OPT- 24DC/ 48DC/100 - 2900352



PLC-INTERFACE, consisting of PLC-BPT.../21 basic terminal block with push-in connection and plug-in miniature solid-state relay, for mounting on DIN rail NS 35/7,5, 1 N/O contact, input: 24 V DC, output: 3 - 48 V DC/100 mA

Solid-state relay module - PLC-OPT- 24DC/ 24DC/2 - 2900364



PLC-INTERFACE, consisting of PLC-BPT.../21 basic terminal block with push-in connection and plug-in miniature solid-state relay, for mounting on DIN rail NS 35/7,5, 1 N/O contact, input: 24 V DC, output: 3 - 33 V DC/3 A

Solid-state relay module - PLC-OPT- 24DC/230AC/1 - 2900369



PLC-INTERFACE, consisting of PLC-BPT.../21 basic terminal block with push-in connection and plug-in miniature solid-state relay, for mounting on DIN rail NS 35/7,5, 1 N/O contact, input: 24 V DC, output: 24 - 253 V AC/0.75 A

Solid-state relay module - PLC-OPT- 24DC/ 24DC/2/ACT - 2900376



PLC-INTERFACE for output functions, consisting of PLC-BPT.../ACT basic terminal block with push-in connection and plug-in miniature solid-state relay, for mounting on DIN rail NS 35/7,5, 1 N/O contact, input: 24 V DC, output: 3 - 33 V DC/3 A

Controller - PLC-V8C/SC-24DC/BM - 2903094

Accessories

Solid-state relay module - PLC-OPT- 24DC/300DC/1 - 2900383



PLC-INTERFACE, integrated solid-state relay, with push-in connection, for mounting on NS 35/7,5 DIN rails, input: 24 V DC, output: 12 - 300 V DC/1 A

Solid-state relay module - PLC-OPT- 24DC/ 24DC/10/R - 2900398



PLC-INTERFACE with confirmation contact, consisting of basic terminal block with push-in connection and integrated miniature solid-state relay, for mounting on DIN rail NS 35/7,5, 1 N/O contact, input: 24 V DC, output: 3 - 33 V DC/10 A

Solid-state relay module - PLC-OPT- 24DC/ 48DC/500/W - 2900378



PLC-INTERFACE with electronic PDT contact, consisting of PLC-BPT.../21 basic terminal block with push-in connection and integrated miniature solid-state relay, for mounting on DIN rail NS 35/7,5, 1 PDT, input: 24 V DC, output: 3 - 48 V DC/500 mA

Solid-state relay module - PLC-OPT- 24DC/TTL - 2900363



PLC-INTERFACE for TTL signal, consisting of PLC-O.../TTL basic terminal block with push-in connection and integrated solid-state relay, for mounting on DIN rail NS 35/7,5, 1 N/O contact, input: 24 V DC, output: TTL (5 V DC)

Solid-state relay module - PLC-OSC- 24DC/ 48DC/100 - 2966728



PLC-INTERFACE, consisting of PLC-BSC.../21 basic terminal block with screw connection and plug-in miniature solid-state relay, for mounting on DIN rail NS 35/7,5, 1 N/O contact, input: 24 V DC, output: 3 - 48 V DC/100 mA

Controller - PLC-V8C/SC-24DC/BM - 2903094

Accessories

Solid-state relay module - PLC-OSC- 24DC/ 24DC/ 2 - 2966634



PLC-INTERFACE, consisting of PLC-BSC.../21 basic terminal block with screw connection and plug-in miniature solid-state relay, for mounting on DIN rail NS 35/7,5, 1 N/O contact, input: 24 V DC, output: 3 - 33 V DC/3 A

Solid-state relay module - PLC-OSC- 24DC/230AC/ 1 - 2967840



PLC-INTERFACE, consisting of PLC-BSC.../21 basic terminal block with screw connection and plug-in miniature solid-state relay, for mounting on DIN rail NS 35/7,5, 1 N/O contact, input: 24 V DC, output: 24 - 253 V AC/0.75 A

Solid-state relay module - PLC-OSC- 24DC/ 24DC/ 2/ACT - 2966676



PLC-INTERFACE for output functions, consisting of PLC-BSC.../ACT basic terminal block with screw connection and plug-in miniature solid-state relay, for mounting on DIN rail NS 35/7,5, 1 N/O contact, input: 24 V DC, output: 3 - 33 V DC/3 A

Solid-state relay module - PLC-OSC- 24DC/230AC/ 1/ACT - 2967947



PLC-INTERFACE for output functions, consisting of PLC-BSC.../ACT basic terminal block with screw connection and plug-in miniature solid-state relay, for mounting on DIN rail NS 35/7,5, 1 N/O contact, input: 24 V DC, output: 24 ... 253 V AC/0.75 A

Solid-state relay module - PLC-OSC- 24DC/300DC/ 1 - 2980678



PLC-INTERFACE, integrated solid-state relay, with screw connection, for mounting on NS 35/7,5 DIN rails, input: 24 V DC, output: 12 - 300 V DC/1 A

Controller - PLC-V8C/SC-24DC/BM - 2903094

Accessories

Solid-state relay module - PLC-OSC- 24DC/ 24DC/ 10/R - 2982702



PLC-INTERFACE with checkback contact, consisting of basic terminal block with screw connection and integrated miniature solid-state relay, for mounting on DIN rail NS 35/7,5, 1 N/O contact, input: 24 V DC, output: 3 ... 33 V DC/10 A

Solid-state relay module - PLC-OSC- 24DC/ 48DC/500/W - 2980636



PLC electronic PDT, integrated optocoupler, with screw connection, for mounting on DIN rail NS 35/7.5, input: 24 V DC, output: 3 - 48 V DC/500 mA

Solid-state relay module - PLC-OSC- 24DC/TTL - 2982728



PLC solid-state relay with screw connection, for mounting on DIN rail NS 35/7.5, input: 24 V DC, output: TTL (5 V DC)

Solid-state relay module - PLC-OPT-24DC/48DC/100/V8C/SEN - 2904693



PLC-INTERFACE for input functions with PLC logic, with push-in connection and plug-in miniature solid-state relay, for mounting on DIN rail NS 35/7,5, 1 N/O contact, input: 24 V DC, output: 3 - 48 V DC/100 mA

Solid-state relay module - PLC-OPT-120UC/48DC/100/V8C/SEN - 2904694



PLC-INTERFACE for input functions with PLC logic, with push-in connection and plug-in miniature solid-state relay, for mounting on DIN rail NS 35/7,5, 1 N/O contact, input: 120 V AC/110 V DC, output: 3 - 48 V DC/100 mA

Controller - PLC-V8C/SC-24DC/BM - 2903094

Accessories

Solid-state relay module - PLC-OPT-230UC/48DC/100/V8C/SEN - 2904695



PLC-INTERFACE for input functions with PLC logic, with push-in connection and plug-in miniature solid-state relay, for mounting on DIN rail NS 35/7,5, 1 N/O contact, input: 230 V AC/220 V DC, output: 3 - 48 V DC/100 mA

Solid-state relay module - PLC-OSC- 24DC/48DC/100/V8C/SEN - 2904690



PLC-INTERFACE for input functions with PLC logic, with screw connection and plug-in miniature solid-state relay, for mounting on DIN rail NS 35/7,5, 1 N/O contact, input: 24 V DC, output: 3 - 48 V DC/100 mA

Solid-state relay module - PLC-OSC-120UC/48DC/100/V8C/SEN - 2904691



PLC-INTERFACE for input functions with PLC logic, with screw connection and plug-in miniature solid-state relay, for mounting on DIN rail NS 35/7,5, 1 N/O contact, input: 120 V AC/110 V DC, output: 3 - 48 V DC/100 mA

Solid-state relay module - PLC-OSC-230UC/48DC/100/V8C/SEN - 2904692



PLC-INTERFACE for input functions with PLC logic, with screw connection and plug-in miniature solid-state relay, for mounting on DIN rail NS 35/7,5, 1 N/O contact, input: 230 V AC/220 V DC, output: 3 - 48 V DC/100 mA

Terminal marking

Zack marker strips off the roll, flat - ZBF 19,7:UNBEDRUCKT - 0810627



Zack marker strips off the roll, flat, Strip, white, unlabeled, can be labeled with: PLOTMARK, CMS-P1-PLOTTER, mounting type: snap into flat marker groove, for terminal block width: 19.7 mm, lettering field size: 19.7 x 5.2 mm, Number of individual labels: 5

Phoenix Contact 2020 © - all rights reserved
<http://www.phoenixcontact.com>

PHOENIX CONTACT GmbH & Co. KG
Flachmarktstr. 8
32825 Blomberg
Germany
Tel. +49 5235 300
Fax +49 5235 3 41200
<http://www.phoenixcontact.com>

X-ON Electronics

Largest Supplier of Electrical and Electronic Components

Click to view similar products for [Terminal Block Interface Modules](#) category:

Click to view products by [Phoenix Contact](#) manufacturer:

Other Similar products are found below :

[73-551-6002I](#) [GCN1MX25B](#) [DIN-50P-01](#) [DIN-68H-01](#) [DIN-96DI-01](#) [2291901](#) [2295185](#) [2907794](#) [2M10FCL](#) [FLKM-2I/O](#) [FLKM-4I/O](#)
[2281759](#) [2906251](#) [2907808](#) [5601749](#) [5541962](#) [1776613-1](#) [GCN1-004A](#) [ADAM-3920R-AE](#) [060-6827-06](#) [2311030](#) [2287708](#) [XW2C-20G6-](#)
[IO16](#) [GCN1-T](#) [MACX](#) [MCR-VAC](#) [5775235](#) [ADAM-3956-BE](#) [XW6T-COM2.5X20YL](#) [XW6T-COM1.5X8BL](#) [XW6T-COM1.5X16BL](#)
[XW6T-COM1.5X20YL](#) [XW6T-COM1.5X16YL](#) [XW6T-COM1.5X20RD](#) [XW6T-COM1.5X20BL](#) [XW6T-COM2.5X8BL](#) [1976610000](#) [UM](#)
[45-D50SUB/B/ZFKDS](#) [5541234](#) [410-261](#) [2906243](#) [2906915](#) [2907706](#) [ADAM-3909-AE](#) [ADAM-3920-AE](#) [ADAM-3925-AE](#) [ADAM-3937-](#)
[BE](#) [ADAM-3950-AE](#) [ADAM-3951-BE](#) [ADAM-3968-AE](#) [ADAM-3968/50-AE](#)