

## Interface module - VIP-2/PT/FLK10/LED - 2904248


Please be informed that the data shown in this PDF Document is generated from our Online Catalog. Please find the complete data in the user's documentation. Our General Terms of Use for Downloads are valid (<http://phoenixcontact.com/download>)



VARIOFACE module, with push-in connection and flat-ribbon cable connector, for mounting on NS 35 rails, with pin strip and short and long locking latches for socket strips, 10-pos., with LED

RoHS

### Key Commercial Data

Packing unit	1 pc
GTIN	 4 046356 813594
GTIN	4046356813594

### Technical data

#### Dimensions

Width	36.8 mm
Height	72.1 mm
Depth	56 mm

#### Ambient conditions

Ambient temperature (operation)	-20 °C ... 50 °C
Ambient temperature (storage/transport)	-20 °C ... 70 °C

#### General

Nominal voltage $U_N$	24 V DC
Max. perm. current (per branch)	1 A
Number of positions	10
Status display	LED
Mounting position	any

#### Connection data

Connection name	Field level
Connection method	Push-in connection
Stripping length	8 mm

# Interface module - VIP-2/PT/FLK10/LED - 2904248

## Technical data

### Connection data

Conductor cross section solid	0.14 mm <sup>2</sup> ... 2.5 mm <sup>2</sup>
Conductor cross section flexible	0.14 mm <sup>2</sup> ... 2.5 mm <sup>2</sup>
Conductor cross section AWG	26 ... 14

### Connection data 2

Connection name	Controller level
Connection method	IDC/FLK pin strip
Number of connections	1
Number of positions	10
Pitch	2.54 mm

### Standards and Regulations

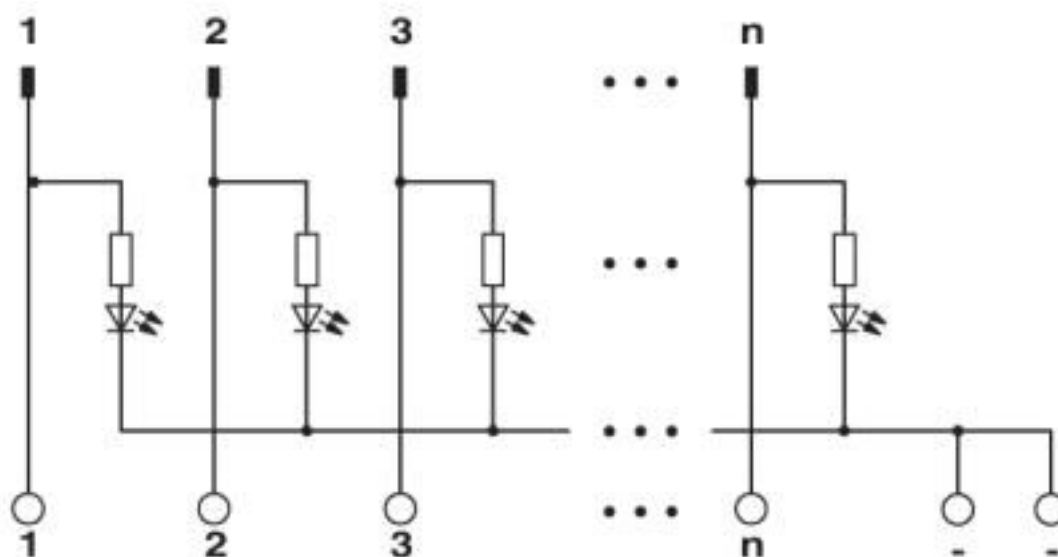
Connection in acc. with standard	CSA
Standards/regulations	IEC 60664
	DIN EN 50178
Pollution degree	2
Overvoltage category	II
Flammability rating according to UL 94	V0

### Environmental Product Compliance

China RoHS	Environmentally Friendly Use Period = 50 years
	For details about hazardous substances go to tab "Downloads", Category "Manufacturer's declaration"

## Drawings

Circuit diagram



# Interface module - VIP-2/PT/FLK10/LED - 2904248

## Classifications

### eCl@ss

eCl@ss 10.0.1	27141152
eCl@ss 4.0	27250300
eCl@ss 4.1	27250300
eCl@ss 5.0	27250300
eCl@ss 5.1	27250300
eCl@ss 6.0	27242600
eCl@ss 7.0	27141152
eCl@ss 8.0	27141152
eCl@ss 9.0	27141152

### ETIM

ETIM 4.0	EC002780
ETIM 5.0	EC002780
ETIM 6.0	EC002780
ETIM 7.0	EC002780

### UNSPSC

UNSPSC 6.01	30211824
UNSPSC 7.0901	39121421
UNSPSC 11	39121421
UNSPSC 12.01	39121421
UNSPSC 13.2	39121432
UNSPSC 18.0	39121432
UNSPSC 19.0	39121432
UNSPSC 20.0	39121432
UNSPSC 21.0	39121432

## Approvals

### Approvals

---

#### Approvals

CSA / UL Recognized / cUL Recognized / EAC / cULus Recognized

---

#### Ex Approvals

---

### Approval details

# Interface module - VIP-2/PT/FLK10/LED - 2904248

## Approvals

CSA		<a href="http://www.csagroup.org/services-industries/product-listing/">http://www.csagroup.org/services-industries/product-listing/</a>	2122203
Nominal voltage UN		24 V	
Nominal current IN		1 A	
mm <sup>2</sup> /AWG/kcmil		26-14	

UL Recognized		<a href="http://database.ul.com/cgi-bin/XYV/template/LISEXT/1FRAME/index.htm">http://database.ul.com/cgi-bin/XYV/template/LISEXT/1FRAME/index.htm</a>	FILE E 238705
Nominal voltage UN		24 V	
Nominal current IN		1 A	
mm <sup>2</sup> /AWG/kcmil		26-14	

cUL Recognized		<a href="http://database.ul.com/cgi-bin/XYV/template/LISEXT/1FRAME/index.htm">http://database.ul.com/cgi-bin/XYV/template/LISEXT/1FRAME/index.htm</a>	FILE E 238705
Nominal voltage UN		24 V	
Nominal current IN		1 A	
mm <sup>2</sup> /AWG/kcmil		26-14	

EAC		RU C- DE.A*30.B.01742
-----	--	--------------------------

cULus Recognized	
------------------	--

## Accessories

### Accessories

#### System cable

Cable - FLK 10/EZ-DR/ 50/KONFEK - 2299204



Round cable set; connection 1: IDC/FLK socket strip (1x 10-position); connection 2: IDC/FLK socket strip (1x 10-position); cable length: 0.5 m

## Interface module - VIP-2/PT/FLK10/LED - 2904248

### Accessories

---

#### Cable - FLK 10/EZ-DR/ 100/KONFEK - 2299217



Round cable set; connection 1: IDC/FLK socket strip (1x 10-position); connection 2: IDC/FLK socket strip (1x 10-position); cable length: 1 m

---

#### Cable - FLK 10/EZ-DR/ 150/KONFEK - 2299220



Round cable set; connection 1: IDC/FLK socket strip (1x 10-position); connection 2: IDC/FLK socket strip (1x 10-position); cable length: 1.5 m

---

#### Cable - FLK 10/EZ-DR/ 200/KONFEK - 2299233



Round cable set; connection 1: IDC/FLK socket strip (1x 10-position); connection 2: IDC/FLK socket strip (1x 10-position); cable length: 2 m

---

#### Cable - FLK 10/EZ-DR/ 300/KONFEK - 2299246



Round cable set; connection 1: IDC/FLK socket strip (1x 10-position); connection 2: IDC/FLK socket strip (1x 10-position); cable length: 3 m

---

#### Cable - FLK 10/EZ-DR/ 400/KONFEK - 2299259



Round cable set; connection 1: IDC/FLK socket strip (1x 10-position); connection 2: IDC/FLK socket strip (1x 10-position); cable length: 4 m

---

## Interface module - VIP-2/PT/FLK10/LED - 2904248

### Accessories

#### Cable - FLK 10/EZ-DR/ 600/KONFEK - 2299262



Round cable set; connection 1: IDC/FLK socket strip (1x 10-position); connection 2: IDC/FLK socket strip (1x 10-position); cable length: 6 m

---

#### Cable - FLK 10/EZ-DR/ 800/KONFEK - 2299275



Round cable set; connection 1: IDC/FLK socket strip (1x 10-position); connection 2: IDC/FLK socket strip (1x 10-position); cable length: 8 m

---

#### Cable - FLK 10/EZ-DR/1000/KONFEK - 2299288



Round cable set; connection 1: IDC/FLK socket strip (1x 10-position); connection 2: IDC/FLK socket strip (1x 10-position); cable length: 10 m

---

#### Cable - FLK EZ-DR.../.../... - 2295059



Round cable, with preassembly, not shielded, variable cable length

---

Phoenix Contact 2020 © - all rights reserved  
<http://www.phoenixcontact.com>

PHOENIX CONTACT GmbH & Co. KG  
Flachsmarktstr. 8  
32825 Blomberg  
Germany  
Tel. +49 5235 300  
Fax +49 5235 3 41200  
<http://www.phoenixcontact.com>

## X-ON Electronics

Largest Supplier of Electrical and Electronic Components

*Click to view similar products for [Terminal Block Interface Modules](#) category:*

*Click to view products by [Phoenix Contact](#) manufacturer:*

Other Similar products are found below :

[73-551-6002I](#) [GCN1MX25B](#) [DIN-50P-01](#) [DIN-68H-01](#) [DIN-96DI-01](#) [2291901](#) [2295185](#) [2907794](#) [2M10FCL](#) [FLKM-2I/O](#) [FLKM-4I/O](#)  
[2281759](#) [2906251](#) [2907808](#) [5601749](#) [5541962](#) [1776613-1](#) [GCN1-004A](#) [ADAM-3920R-AE](#) [060-6827-06](#) [2311030](#) [2287708](#) [XW2C-20G6-](#)  
[IO16](#) [GCN1-T](#) [MACX](#) [MCR-VAC](#) [5775235](#) [ADAM-3956-BE](#) [XW6T-COM2.5X20YL](#) [XW6T-COM1.5X8BL](#) [XW6T-COM1.5X16BL](#)  
[XW6T-COM1.5X20YL](#) [XW6T-COM1.5X16YL](#) [XW6T-COM1.5X20RD](#) [XW6T-COM1.5X20BL](#) [XW6T-COM2.5X8BL](#) [1976610000](#) [UM](#)  
[45-D50SUB/B/ZFKDS](#) [5541234](#) [410-261](#) [2906243](#) [2906915](#) [2907706](#) [ADAM-3909-AE](#) [ADAM-3920-AE](#) [ADAM-3925-AE](#) [ADAM-3937-](#)  
[BE](#) [ADAM-3950-AE](#) [ADAM-3951-BE](#) [ADAM-3968-AE](#) [ADAM-3968/50-AE](#)