

# Hybrid motor starter - ELR H5-I-SC-24DC/500AC-9-SP - 2904678

Please be informed that the data shown in this PDF Document is generated from our Online Catalog. Please find the complete data in the user's documentation. Our General Terms of Use for Downloads are valid (<http://phoenixcontact.com/download>)



Hybrid motor starter for reversing 3~ AC motors up to 550 V AC, with 24 V DC input, 9 A output current, adjustable overload shutdown, and with no underload detection.

The figure shows the ELR H5-I-SC-24DC/500AC-9 version

## Your advantages

- 22.5 mm wide
- Reduction in wiring
- Space saving
- Long service life
- 3-phase loop bridges
- Adjustable current for bimetal function
- Low-wear switching



## Key Commercial Data

|              |               |
|--------------|---------------|
| Packing unit | 1 pc          |
| GTIN         |               |
| GTIN         | 4046356871792 |

## Technical data

### Ambient conditions

|   |                                     |
|---|-------------------------------------|
| Ambient temperature (operation)         | -25 °C ... 70 °C (observe derating) |
| Ambient temperature (storage/transport) | -40 °C ... 80 °C                    |
| Degree of protection                    | IP20                                |

### Connection data, control circuit

|                   |                  |
|-------------------|------------------|
| Connection name   | Control circuits |
| Connection method | Screw connection |
| Stripping length  | 8 mm             |
| Screw thread      | M3               |

# Hybrid motor starter - ELR H5-I-SC-24DC/500AC-9-SP - 2904678

## Technical data

### Connection data, control circuit

|                                  |   |
|----------------------------------|---|
| Conductor cross section solid    | 0.2 mm <sup>2</sup> ... 2.5 mm <sup>2</sup> |
| Conductor cross section flexible | 0.2 mm <sup>2</sup> ... 2.5 mm <sup>2</sup> |
| Conductor cross section AWG      | 24 ... 14                                   |
| Torque                           | 0.5 Nm ... 0.6 Nm                           |

### General

|                       |  |
|-----------------------|--|
| Switching frequency   | ≤ 2 Hz (Load-dependent)                            |
| Mounting position     | vertical (horizontal DIN rail, motor output below) |
| Assembly instructions | alignable, for spacing see derating                |
| Operating mode        | 100% operating factor                              |

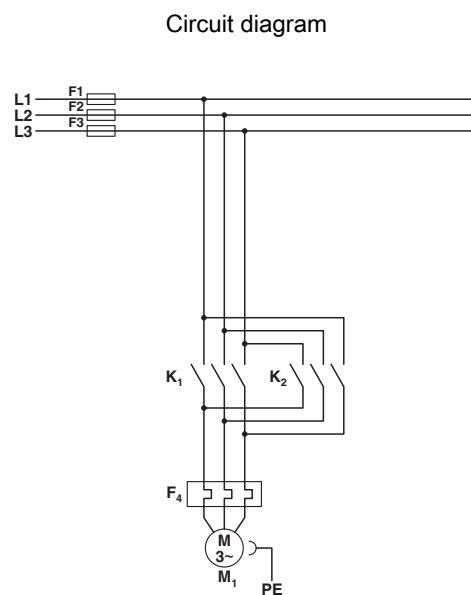
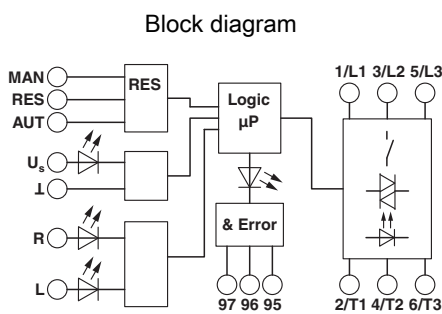
### Standards and Regulations

|                       |                       |
|-----------------------|-----------------------|
| Designation           | Standards/regulations |
| Standards/regulations | IEC 60947-1           |
|                       | EN 60947-4-2          |
|                       | IEC 61508             |
|                       | ISO 13849             |

### Environmental Product Compliance

|            |   |
|------------|---|
| China RoHS | Environmentally Friendly Use Period = 50  |
|            | For details about hazardous substances go to tab "Downloads", Category "Manufacturer's declaration" |

## Drawings

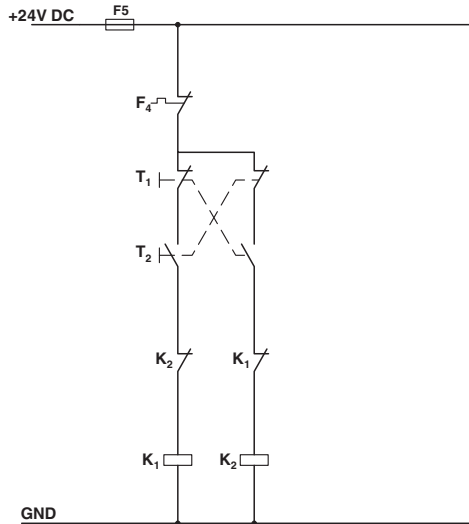


Conventional structure  
Main current path contactor

# Hybrid motor starter - ELR H5-I-SC-24DC/500AC-9-SP - 2904678

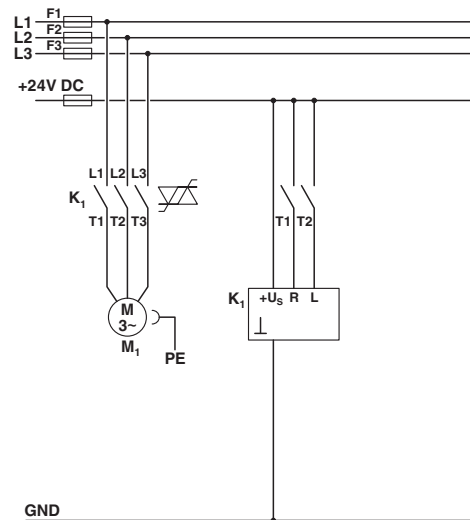
K1 = Left contactor  
 K2 = Right contactor  
 F4 = Motor protection relay

Circuit diagram



Conventional structure  
 Control current path contactor  
 K1 = Left contactor  
 K2 = Right contactor  
 T1 = Left, T2 = Right  
 F4 = Motor protection relay

Circuit diagram



Structure with CONTACTRON  
 Main and control current path for '3 in 1' hybrid motor starter  
 K1 = '3 in 1' hybrid motor starter  
 T1 = Right, T2 = Left

## Approvals

### Approvals

Approvals

UL Listed / cUL Listed / UL Listed / cUL Listed / EAC

Ex Approvals

### Approval details


|           |  |   |               |
|-----------|--|---|---------------|
| UL Listed |  | <a href="http://database.ul.com/cgi-bin/XYV/template/LISEXT/1FRAME/index.htm">http://database.ul.com/cgi-bin/XYV/template/LISEXT/1FRAME/index.htm</a> | FILE E 228652 |
|-----------|--|---|---------------|

|            |  |   |               |
|------------|--|---|---------------|
| cUL Listed |  | <a href="http://database.ul.com/cgi-bin/XYV/template/LISEXT/1FRAME/index.htm">http://database.ul.com/cgi-bin/XYV/template/LISEXT/1FRAME/index.htm</a> | FILE E 228652 |
|------------|--|---|---------------|

# Hybrid motor starter - ELR H5-I-SC-24DC/500AC-9-SP - 2904678

## Approvals

|           |   |   |               |
|-----------|---|---|---------------|
| UL Listed |  | <a href="http://database.ul.com/cgi-bin/XYV/template/LISEXT/1FRAME/index.htm">http://database.ul.com/cgi-bin/XYV/template/LISEXT/1FRAME/index.htm</a> | FILE E 323771 |
|-----------|---|---|---------------|

|            |   |   |               |
|------------|---|---|---------------|
| cUL Listed |  | <a href="http://database.ul.com/cgi-bin/XYV/template/LISEXT/1FRAME/index.htm">http://database.ul.com/cgi-bin/XYV/template/LISEXT/1FRAME/index.htm</a> | FILE E 323771 |
|------------|---|---|---------------|

|     |   |  |                          |
|-----|---|--|--------------------------|
| EAC |  |  | RU C-<br>DE.A*30.B.01082 |
|-----|---|--|--------------------------|

Phoenix Contact 2018 © - all rights reserved  
<http://www.phoenixcontact.com>

PHOENIX CONTACT GmbH & Co. KG  
Flachsmarktstr. 8  
32825 Blomberg  
Germany  
Tel. +49 5235 300  
Fax +49 5235 3 41200  
<http://www.phoenixcontact.com>

## X-ON Electronics

Largest Supplier of Electrical and Electronic Components

*Click to view similar products for [Terminal Block Interface Modules](#) category:*

*Click to view products by [Phoenix Contact](#) manufacturer:*

Other Similar products are found below :

[73-551-6002I](#) [GCN1MX25B](#) [DIN-50P-01](#) [DIN-68H-01](#) [DIN-96DI-01](#) [2291901](#) [2295185](#) [2907794](#) [2M10FCL](#) [FLKM-2I/O](#) [FLKM-4I/O](#)  
[2281759](#) [2906251](#) [2907808](#) [5601749](#) [5541962](#) [1776613-1](#) [GCN1-004A](#) [ADAM-3920R-AE](#) [060-6827-06](#) [2311030](#) [2287708](#) [XW2C-20G6-](#)  
[IO16](#) [GCN1-T](#) [MACX](#) [MCR-VAC](#) [5775235](#) [ADAM-3956-BE](#) [XW6T-COM2.5X20YL](#) [XW6T-COM1.5X8BL](#) [XW6T-COM1.5X16BL](#)  
[XW6T-COM1.5X20YL](#) [XW6T-COM1.5X16YL](#) [XW6T-COM1.5X20RD](#) [XW6T-COM1.5X20BL](#) [XW6T-COM2.5X8BL](#) [1976610000](#) [UM](#)  
[45-D50SUB/B/ZFKDS](#) [5541234](#) [410-261](#) [902056](#) [2906243](#) [2906915](#) [2907706](#) [ADAM-3909-AE](#) [ADAM-3920-AE](#) [ADAM-3925-AE](#)  
[ADAM-3937-BE](#) [ADAM-3950-AE](#) [ADAM-3951-BE](#) [ADAM-3968-AE](#)