

Antenna - RAD-900-ANT-OMNI-2-N - 2904802

Please be informed that the data shown in this PDF Document is generated from our Online Catalog. Please find the complete data in the user's documentation. Our General Terms of Use for Downloads are valid (<http://phoenixcontact.com/download>)




Omnidirectional antenna, 868 MHz / 900 MHz, gain: 2 dBi, polarization: linear, opening angle: h/v 360°/50°, degree of protection: IP66, connection: N (female), for control cabinet mounting (optional wall mounting)

Your advantages

- For freely mobile applications
- For multipoint or mesh connections



Key Commercial Data

Packing unit	1 pc
GTIN	 4 046356 916844
GTIN	4046356916844

Technical data

Dimensions

Height	84 mm
Diameter	36 mm

Ambient conditions

Degree of protection	IP66
Ambient temperature (operation)	-40 °C ... 70 °C
Ambient temperature (storage/transport)	-40 °C ... 70 °C

General

With connecting cable	No
Frequency range	900 MHz
	868 MHz ... 960 MHz
Horizontal beamwidth	360 °
Vertical beamwidth	50 °
Polarization	Linear vertical

Antenna - RAD-900-ANT-OMNI-2-N - 2904802

Technical data

General

Impedance	50 Ω
Gain	2.15 dBi
Connection method	Type N (female)
Material	Xenoy 5720U-7014 (Antenna housing)
Mounting type	Control cabinet
Assembly instructions	Optional wall mounting

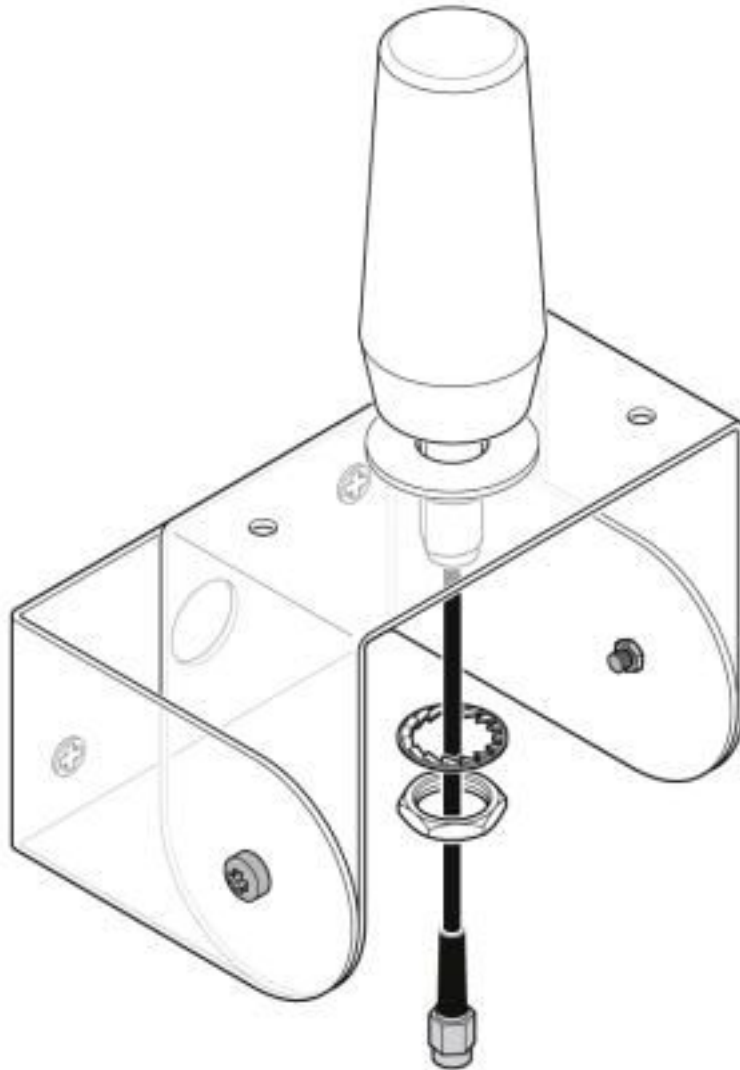
Environmental Product Compliance

REACH SVHC	Lead 7439-92-1
China RoHS	Environmentally friendly use period: unlimited = EFUP-e
	No hazardous substances above threshold values

Drawings

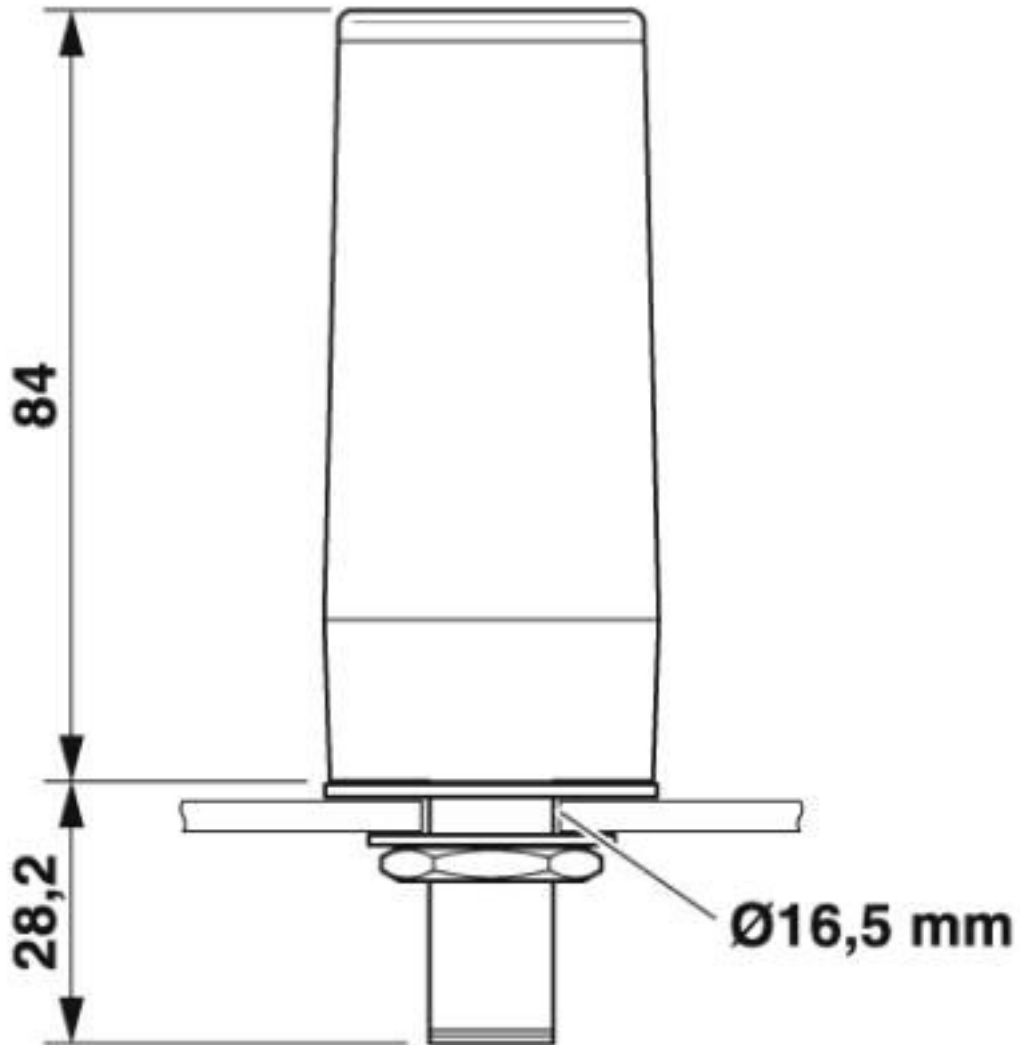
Antenna - RAD-900-ANT-OMNI-2-N - 2904802

Schematic diagram



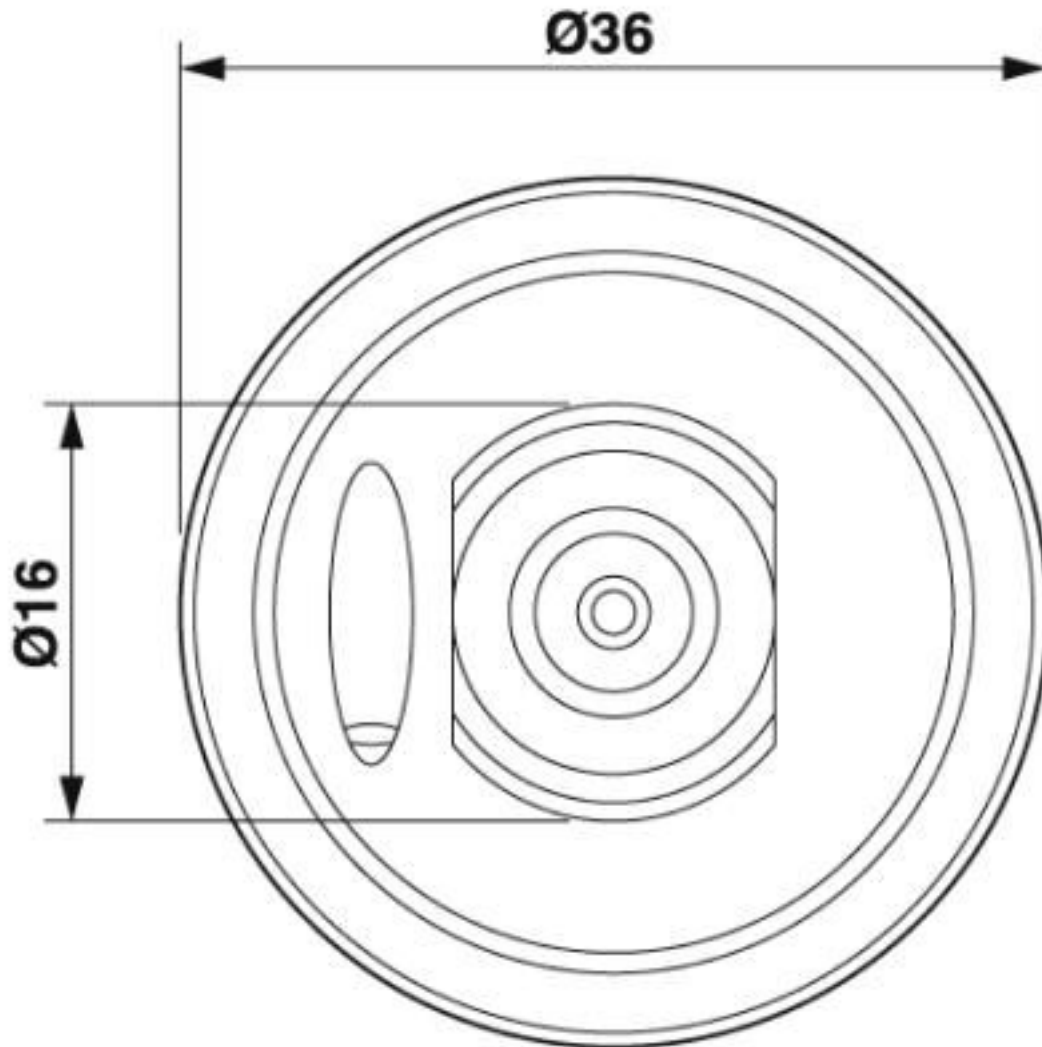
Antenna - RAD-900-ANT-OMNI-2-N - 2904802

Schematic diagram



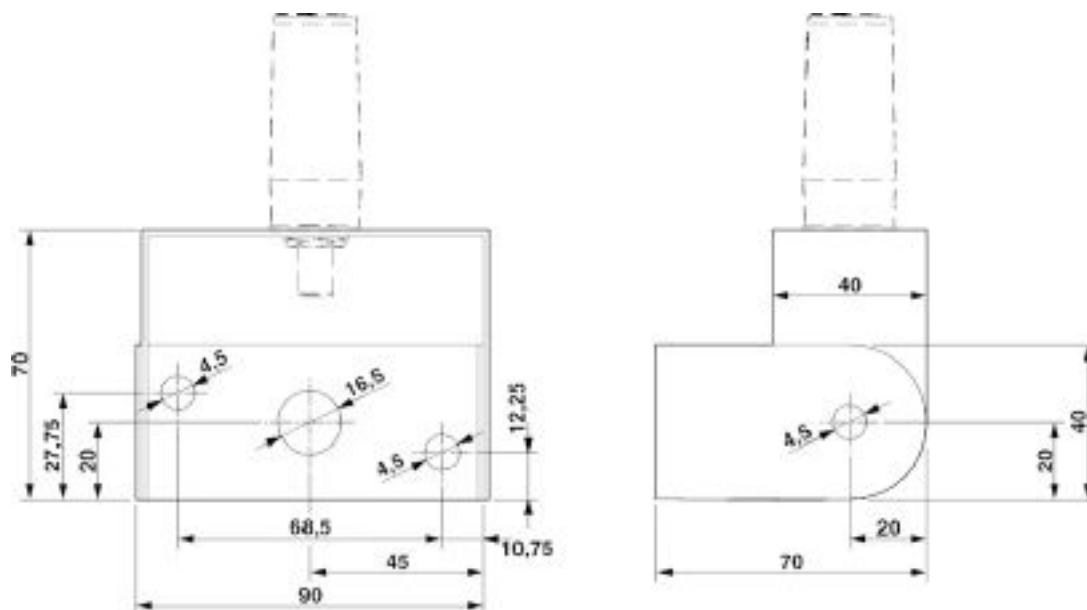
Antenna - RAD-900-ANT-OMNI-2-N - 2904802

Dimensional drawing



Antenna - RAD-900-ANT-OMNI-2-N - 2904802

Dimensional drawing



Classifications

eCl@ss

eCl@ss 10.0.1	19070105
eCl@ss 4.1	27230200
eCl@ss 5.0	27061800
eCl@ss 5.1	19070100
eCl@ss 6.0	27061800
eCl@ss 7.0	19070105
eCl@ss 8.0	19070105
eCl@ss 9.0	19070105

ETIM

ETIM 4.0	EC000416
ETIM 5.0	EC001698
ETIM 6.0	EC001698
ETIM 7.0	EC001698

UNSPSC

UNSPSC 13.2	43221715
UNSPSC 18.0	43221715
UNSPSC 19.0	43221715
UNSPSC 20.0	43221715
UNSPSC 21.0	43221715

Antenna - RAD-900-ANT-OMNI-2-N - 2904802

Accessories

Accessories

Mounting material

Mounting material - RAD-ANT-VAN-MKT - 2885870



Mounting material for wall mounting of omnidirectional antenna with protection against vandals

Phoenix Contact 2020 © - all rights reserved
<http://www.phoenixcontact.com>

PHOENIX CONTACT GmbH & Co. KG
Flachsmarktstr. 8
32825 Blomberg
Germany
Tel. +49 5235 300
Fax +49 5235 3 41200
<http://www.phoenixcontact.com>

X-ON Electronics

Largest Supplier of Electrical and Electronic Components

Click to view similar products for [Antennas](#) category:

Click to view products by [Phoenix Contact](#) manufacturer:

Other Similar products are found below :

[GAN30084EU](#) [930-033-R](#) [GW17.07.0250E](#) [1513563-1](#) [EXE902SM](#) [APAMPG-117](#) [MAF94383](#) [W3908B0100](#) [W6102B0100](#) [YE572113-30RSMM](#) [108-00014-50](#) [66089-2406](#) [SPDA17RP918](#) [A09-F8NF-M](#) [A09-F5NF-M](#) [RGFRA1903041A1T](#) [W3593B0100](#) [W3921B0100](#) [SIMNA-868](#) [SIMNA-915](#) [SIMNA-433](#) [W1044](#) [W1049B090](#) [A75-001](#) [WTL2449CQ1-FRSMM](#) [CPL9C](#) [EXB148BN](#) [0600-00060](#) [TRA9020S3PBN-001](#) [GD5W-28P-NF](#) [MA9-7N](#) [GD53-25](#) [GD5W-21P-NF](#) [C37](#) [MAF94051](#) [MA9-5N](#) [EXD420PL](#) [B1322NR](#) [QWFTB120](#) [MAF94271](#) [MAF94300](#) [GPSMB301](#) [FG4403](#) [AO-AGSM-OM54](#) [5200232](#) [MIKROE-2349](#) [WCM.01.0111](#) [MIKROE-2393](#) [MIKROE-2352](#) [MIKROE-2350](#)