

DC/DC converter, protective coating - QUINT-PS/60-72DC/24DC/10/CO - 2905011

Please be informed that the data shown in this PDF Document is generated from our Online Catalog. Please find the complete data in the user's documentation. Our General Terms of Use for Downloads are valid (<http://phoenixcontact.com/download>)



Primary-switched QUINT DC/DC converter with wide range input for DIN rail mounting with SFB (Selective Fuse Breaking) technology, input: 60-72 V DC, output 24 V DC / 10 A

Product Description

QUINT DC/DC converter with maximum functionality.

DC/DC converters alter the voltage level, regenerate the voltage at the end of long cables or enable the creation of independent supply systems by means of electrical isolation. QUINT DC/DC converters magnetically and therefore quickly trip circuit breakers with six times the nominal current, for selective and therefore cost-effective system protection. In addition, the high system availability is ensured by preventive function monitoring which reports critical operating states before errors can occur.

Your advantages

- ✓ Reliable starting of difficult loads, thanks to the static POWER BOOST power reserve with up to 125% nominal current permanently
- ✓ Preventive function monitoring indicates critical operating states before errors occur
- ✓ Constant voltage: output voltage regenerated even at the end of long cables
- ✓ Support conversion to various voltage levels
- ✓ Electrical isolation: for setting up independent supply systems
- ✓ Optimum protection with dip coating for 100 % humidity



Key Commercial Data

| | |
|--------------|---------------|
| Packing unit | 1 pc |
| GTIN | |
| GTIN | 4046356908320 |

Technical data

Dimensions

| | |
|---------------------------------|--------|
| Width | 48 mm |
| Height | 130 mm |
| Depth | 125 mm |
| Width with alternative assembly | 122 mm |

DC/DC converter, protective coating - QUINT-PS/60-72DC/24DC/10/ CO - 2905011

Technical data

Dimensions

| | |
|---|---------------------------------------|
| Height with alternative assembly | 130 mm |
| Depth with alternative assembly | 51 mm |
| Installation distance right/left | 0 mm / 0 mm ($\leq 70\text{ °C}$) |
| Installation distance right/left (active) | 15 mm / 15 mm ($\leq 70\text{ °C}$) |
| Installation distance top/bottom | 50 mm / 50 mm ($\leq 70\text{ °C}$) |
| Installation distance top/bottom (active) | 50 mm / 50 mm ($\leq 70\text{ °C}$) |

Ambient conditions

| | |
|--|--|
| Degree of protection | IP20 |
| Ambient temperature (operation) | -25 °C ... 70 °C (> 60 °C Derating: 2.5 %/K) |
| Ambient temperature (start-up type tested) | -40 °C |
| Ambient temperature (storage/transport) | -40 °C ... 85 °C |
| Max. permissible relative humidity (operation) | 100 % (at 25 °C, non-condensing) |
| Climatic class | 3K3 (in acc. with EN 60721) |
| Degree of pollution | 2 |

Input data

| | |
|------------------------------|--|
| Nominal input voltage range | 60 V DC ... 72 V DC |
| Input voltage range | 42 V DC ... 96 V DC |
| Current consumption | 5.6 A (60 V DC) 4.7 A (72 V DC) |
| Inrush current | < 9 A (typical) |
| Mains buffering time | typ. 10 ms (60 V DC) |
| Input fuse | 10 A 150 V DC (internal (device protection)) |
| Type of protection | Transient surge protection |
| Protective circuit/component | Varistor |

Output data

| | |
|--|--|
| Nominal output voltage | 24 V DC $\pm 1\%$ |
| Setting range of the output voltage (U_{Set}) | 18 V DC ... 29.5 V DC (> 24 V DC, constant capacity restricted) |
| Nominal output current (I_N) | 10 A (-40 °C ... 60 °C) |
| POWER BOOST (I_{Boost}) | 12.5 A (-40 °C ... 40 °C permanent, $U_{OUT} = 24\text{ V DC}$) |
| Selective Fuse Breaking (I_{SFB}) | 60 A (12 ms) |
| Derating | 60 °C ... 70 °C (2.5%/K) |
| Connection in parallel | Yes, for redundancy and increased capacity |
| Connection in series | yes |
| Feedback voltage resistance | 35 V DC |
| Protection against overvoltage at the output (OVP) | < 35 V DC |
| Max. capacitive load | unlimited |
| Active current limitation | 18 A |
| Control deviation | < 1 % (change in load, static 10 % ... 90 %) |

DC/DC converter, protective coating - QUINT-PS/60-72DC/24DC/10/CO - 2905011

Technical data

Output data

| | |
|--|---|
| | < 2 % (change in load, dynamic 10 % ... 90 %) |
| | < 0.1 % (change in input voltage ± 10 %) |
| Residual ripple | < 20 mV _{PP} |
| Peak switching voltages nominal load | < 10 mV _{PP} (20 MHz) |
| Maximum power dissipation in no-load condition | 4 W (U _{IN} 60 V DC) |
| Power loss nominal load max. | 24 W (U _{IN} 60 V DC) |

General

| | |
|---------------------------------|---|
| Net weight | 1 kg |
| Efficiency | > 91 % (U _{IN} 60 V DC / U _{OUT} 24 V DC) |
| | > 91 % (U _{IN} 72 V DC / U _{OUT} 24 V DC) |
| MTBF (IEC 61709, SN 29500) | > 1349000 h (25 °C) |
| | > 765000 h (40 °C) |
| Insulation voltage input/output | 1.5 kV (type test) |
| | 1 kV (routine test) |
| Degree of protection | IP20 |
| Protection class | I |
| Mounting position | horizontal DIN rail NS 35, EN 60715 |
| Assembly instructions | alignable: P _N $\geq 50\%$, 5 mm horizontally, 15 mm next to active components, 50 mm vertically alignable: P _N < 50%, 0 mm horizontally, 40 mm vertically top, 20 mm vertically bottom |

Connection data, input

| | |
|---------------------------------------|----------------------------|
| Connection method | Pluggable screw connection |
| Conductor cross section solid min. | 0.2 mm ² |
| Conductor cross section solid max. | 2.5 mm ² |
| Conductor cross section flexible min. | 0.2 mm ² |
| Conductor cross section flexible max. | 2.5 mm ² |
| Conductor cross section AWG min. | 24 |
| Conductor cross section AWG max. | 12 |
| Stripping length | 8 mm |
| Screw thread | M3 |

Connection data, output

| | |
|---------------------------------------|----------------------------|
| Connection method | Pluggable screw connection |
| Conductor cross section solid min. | 0.2 mm ² |
| Conductor cross section solid max. | 2.5 mm ² |
| Conductor cross section flexible min. | 0.2 mm ² |
| Conductor cross section flexible max. | 2.5 mm ² |
| Conductor cross section AWG min. | 24 |
| Conductor cross section AWG max. | 12 |

DC/DC converter, protective coating - QUINT-PS/60-72DC/24DC/10/CO - 2905011

Technical data

Connection data, output

| | |
|------------------|------|
| Stripping length | 7 mm |
| Screw thread | M3 |

Connection data for signaling

| | |
|---------------------------------------|---------------------|
| Conductor cross section solid min. | 0.2 mm ² |
| Conductor cross section solid max. | 2.5 mm ² |
| Conductor cross section flexible min. | 0.2 mm ² |
| Conductor cross section flexible max. | 2.5 mm ² |
| Conductor cross section AWG min. | 24 |
| Conductor cross section AWG max. | 12 |
| Screw thread | M3 |

Standards

| | |
|--|----------------------------|
| EMC requirements for noise immunity | EN 61000-6-1 |
| | EN 61000-6-2 |
| EMC requirements for noise emission | EN 61000-6-3 |
| | EN 61000-6-4 |
| Standard - Electrical safety | EN 60950-1/VDE 0805 (SELV) |
| Standard – Electronic equipment for use in electrical power installations and their assembly into electrical power installations | EN 50178/VDE 0160 (PELV) |
| Standard – Safety extra-low voltage | EN 60950-1 (SELV) |
| | EN 60204 (PELV) |
| Standard - Safe isolation | DIN VDE 0100-410 |
| Rail applications | EN 50121-4 |
| | EN 50155 |

Conformance/approvals

| | |
|--------------|--|
| UL approvals | UL/C-UL listed UL 508 |
| | UL/C-UL Recognized UL 60950-1 |
| | UL ANSI/ISA-12.12.01 Class I, Division 2, Groups A, B, C, D (Hazardous Location) |

EMC data

| | |
|-------------------------------|---|
| Electromagnetic compatibility | Conformance with EMC Directive 2014/30/EU |
| Electrostatic discharge | EN 61000-4-2 |
| Contact discharge | 8 kV (Test Level 4) |
| Discharge in air | 15 kV (Test Level 4) |
| Electromagnetic HF field | EN 61000-4-3 |
| Frequency range | 80 MHz ... 1 GHz |
| Test field strength | 20 V/m (Test Level 3) |
| Frequency range | 1 GHz ... 2 GHz |
| Test field strength | 20 V/m (Test Level 3) |

DC/DC converter, protective coating - QUINT-PS/60-72DC/24DC/10/CO - 2905011

Technical data

EMC data

| | |
|----------------------------|--|
| Frequency range | 2 GHz ... 3 GHz |
| Test field strength | 10 V/m (Test Level 3) |
| Comments | Criterion A |
| Fast transients (burst) | EN 61000-4-4 |
| Input | 4 kV (Test Level 4 - asymmetrical) |
| Output | 2 kV (Test Level 3 - asymmetrical) |
| Signal | 2 kV (Test Level 4 - asymmetrical) |
| Comments | Criterion A |
| Surge voltage load (surge) | EN 61000-4-5 |
| Input | 2 kV (Test Level 4 - symmetrical) |
| | 4 kV (Test Level 4 - asymmetrical) |
| Output | 1 kV (Test Level 3 - symmetrical) |
| | 2 kV (Test Level 3 - asymmetrical) |
| Signal | 1 kV (Test Level 2 - asymmetrical) |
| Comments | Criterion A |
| Conducted interference | EN 61000-4-6 |
| I/O/S | asymmetrical |
| Frequency range | 9 kHz ... 80 MHz |
| Voltage | 10 V (Test Level 3) |
| Comments | Criterion A |
| Criterion A | Normal operating behavior within the specified limits. |
| Criterion B | Temporary impairment to operational behavior that is corrected by the device itself. |

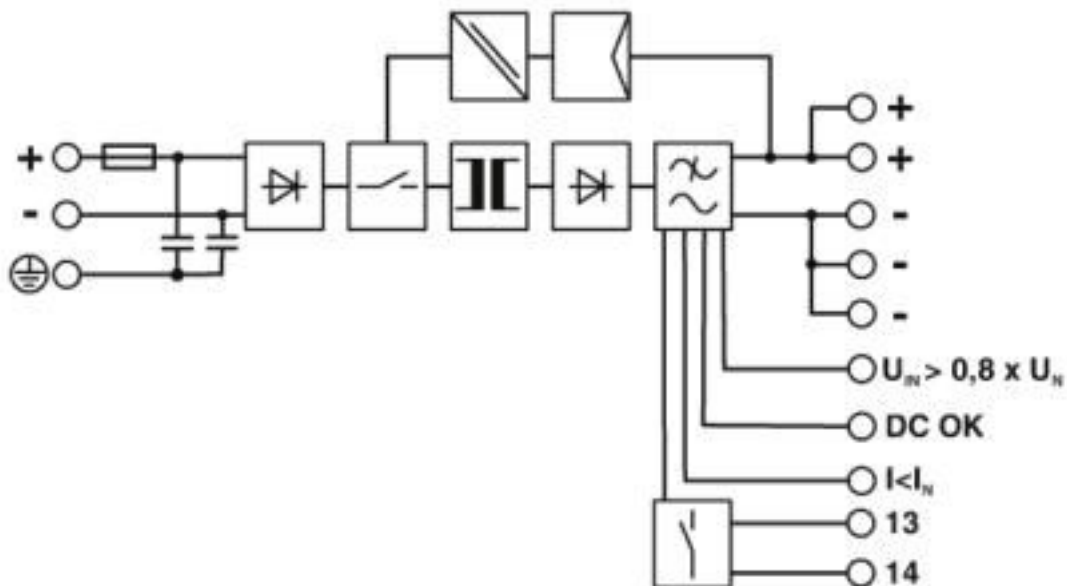
Environmental Product Compliance

| | |
|------------|----------------|
| REACH SVHC | Lead 7439-92-1 |
|------------|----------------|

Drawings

DC/DC converter, protective coating - QUINT-PS/60-72DC/24DC/10/CO - 2905011

Block diagram



Classifications

eCl@ss

| | |
|---------------|----------|
| eCl@ss 10.0.1 | 27210901 |
| eCl@ss 4.0 | 27210900 |
| eCl@ss 4.1 | 27210900 |
| eCl@ss 5.0 | 27210900 |
| eCl@ss 5.1 | 27210900 |
| eCl@ss 6.0 | 27210900 |
| eCl@ss 7.0 | 27210901 |
| eCl@ss 8.0 | 27210901 |
| eCl@ss 9.0 | 27210901 |

ETIM

| | |
|----------|----------|
| ETIM 5.0 | EC002046 |
| ETIM 6.0 | EC002046 |
| ETIM 7.0 | EC002046 |

UNSPSC

| | |
|-------------|----------|
| UNSPSC 13.2 | 39121041 |
| UNSPSC 18.0 | 39121041 |
| UNSPSC 19.0 | 39121041 |
| UNSPSC 20.0 | 39121041 |
| UNSPSC 21.0 | 39121041 |

DC/DC converter, protective coating - QUINT-PS/60-72DC/24DC/10/CO - 2905011

Approvals

Approvals

Approvals

EAC

Ex Approvals

UL Listed / cUL Listed / cULus Listed

Approval details

| | | |
|-----|--|---------------------|
| EAC | | RU*DE*08.B.01873/19 |
|-----|--|---------------------|

Accessories

Accessories

Assembly adapter

Assembly adapters - UTA 107/30 - 2320089



Universal DIN rail adapter

Assembly adapters - UWA 182/52 - 2938235



Universal wall adapter for securely mounting the device in the event of strong vibrations. The device is screwed directly onto the mounting surface. The universal wall adapter is attached on the top/bottom.

Assembly adapters - QUINT-PS-ADAPTERS7/1 - 2938196



Assembly adapter for QUINT-PS... power supply on S7-300 rail

DC/DC converter, protective coating - QUINT-PS/60-72DC/24DC/10/ CO - 2905011

Accessories

Redundancy module

Redundancy module, with protective coating - QUINT-ORING/24DC/2X10/1X20 - 2320173



Active QUINT redundancy module for DIN rail mounting with Auto Current Balancing ACB technology and monitoring functions, input: 24 V DC, output: 24 V DC/2 x 10 A or 1 x 20 A, including mounted UTA 107/30 universal DIN rail adapter

Thermomagnetic device circuit breakers

Thermomagnetic device circuit breaker - CB TM1 1A SFB P - 2800836



Thermomagnetic device circuit breaker, 1-pos., tripping characteristic SFB, 1 PDT contact, plug for base element.

Thermomagnetic device circuit breaker - CB TM1 2A SFB P - 2800837



Thermomagnetic device circuit breaker, 1-pos., tripping characteristic SFB, 1 PDT contact, plug for base element.

Thermomagnetic device circuit breaker - CB TM1 3A SFB P - 2800838



Thermomagnetic device circuit breaker, 1-pos., tripping characteristic SFB, 1 PDT contact, plug for base element.

Thermomagnetic device circuit breaker - CB TM1 4A SFB P - 2800839



Thermomagnetic device circuit breaker, 1-pos., tripping characteristic SFB, 1 PDT contact, plug for base element.

DC/DC converter, protective coating - QUINT-PS/60-72DC/24DC/10/ CO - 2905011

Accessories

Thermomagnetic device circuit breaker - CB TM1 5A SFB P - 2800840



Thermomagnetic device circuit breaker, 1-pos., tripping characteristic SFB, 1 PDT contact, plug for base element.

Thermomagnetic device circuit breaker - CB TM1 12A SFB P - 2800844



Thermomagnetic device circuit breaker, 1-pos., tripping characteristic SFB, 1 PDT contact, plug for base element.

Thermomagnetic device circuit breaker - CB TM1 16A SFB P - 2800845



Thermomagnetic device circuit breaker, 1-pos., tripping characteristic SFB, 1 PDT contact, plug for base element.

Phoenix Contact 2020 © - all rights reserved
<http://www.phoenixcontact.com>

PHOENIX CONTACT GmbH & Co. KG
Flachsmarktstr. 8
32825 Blomberg
Germany
Tel. +49 5235 300
Fax +49 5235 3 41200
<http://www.phoenixcontact.com>

X-ON Electronics

Largest Supplier of Electrical and Electronic Components

Click to view similar products for [DIN Rail Power Supplies](#) category:

Click to view products by [Phoenix Contact](#) manufacturer:

Other Similar products are found below :

[PS-S6024](#) [DVP01PU-S](#) [DVP06AD-S](#) [DVP06XA-S](#) [DVDPNET-SL](#) [DVPDT01-S](#) [DVPPS01](#) [PS-6012](#) [PS9Z-5R1G](#) [PS-C24024](#)
[DVP08ST11N](#) [DVPACAB530](#) [DVPCOPM-SL](#) [DVPEN01-SL](#) [DVPPF01-S](#) [ADNB008-48-1PM-C](#) [ADNB017-24-1PM-C](#) [ADNB040-24-1PM-C](#) [ADNB034-12-1PM-C](#) [SS14011524](#) [S8TS-06024-E1](#) [PS-UPS40](#) [PSC-6024](#) [PSD-A60W12](#) [96PS-A120WDIN](#) [PSD-A60W48](#) [PSD-A40W12](#) [PSD-A40W24](#) [SMP21-L20-DC24V-5A](#) [PSD-A40W48](#) [S8T-DCBU-02](#) [PS-S4024](#) [NTPS-24-1.3](#) [PST-96024](#) [S82YVSC4P](#) [PS-S4005](#) [PS-10024](#) [PS-S10024](#) [PS-C12024](#) [PSP-480S24](#) [PS-C48024](#) [PSC-2024](#) [PSC-4012](#) [PSC-4048](#) [PSC-9615](#) [PSC-15124](#) [PSC-15148](#)
[PSC-24148](#) [PSC-48148](#) [TRIO-PS-2G/1AC/12DC/5/C2LP](#)