

Type 3 surge protection plug - PLT-SEC-T3-24-P - 2905232

Please be informed that the data shown in this PDF Document is generated from our Online Catalog. Please find the complete data in the user's documentation. Our General Terms of Use for Downloads are valid (<http://phoenixcontact.com/download>)




Replacement plug for type 3 device protection from the PLUGTRAB SEC T3 product range. 24 V nominal voltage.

Your advantages

- Varistor-based device protection
- Can be used without separate backup fuse thanks to integrated overcurrent protection
- Pluggable
- Optical status indicator via LED
- Plugs can be checked with CHECKMASTER 2



Key Commercial Data

Packing unit	1 pc
GTIN	 4 046356 939720
GTIN	4046356939720

Technical data

Dimensions

Height	60.9 mm
Width	17.5 mm
Depth	44.8 mm
Horizontal pitch	1 Div.

Ambient conditions

Degree of protection	IP20
Ambient temperature (operation)	-40 °C ... 80 °C
Ambient temperature (storage/transport)	-40 °C ... 80 °C
Altitude	≤ 2000 m (amsl (above mean sea level))
Permissible humidity (operation)	5 % ... 95 %
Shock (operation)	30g (Half-sine / 11 ms / 3x ±X, ±Y, ±Z)

Type 3 surge protection plug - PLT-SEC-T3-24-P - 2905232

Technical data

Ambient conditions

Vibration (operation)	5g (10 ... 150 Hz/20 cycles/axis/X, Y, Z)
-----------------------	---

General

EN type	T3
IEC power supply system	TN-S
Mode of protection	L-N
	L-PE
	N-PE
	(L+) - (L-)
	(L+/L-) - PE
Mounting type	on base element
Color	light grey RAL 7035
Housing material	PA 6.6-FR 20 % GF
	PA 6.6-FR
Degree of pollution	2
Flammability rating according to UL 94	V-0
Type	Male
Number of positions	2
Surge protection fault message	optical

Protective circuit

Nominal voltage U_N	24 V AC (TN-S)
Nominal frequency f_N	50 Hz (60 Hz)
Maximum continuous voltage U_C	34 V AC
	34 V DC
Residual current I_{PE}	$\leq 5 \mu A$
Nominal discharge current I_n (8/20) μs	1 kA
Standby power consumption P_C	≤ 30 mVA (at U_{REF})
	≤ 50 mVA (at U_C)
Reference test voltage U_{REF}	27 V AC
Combination wave U_{OC}	2 kV
Voltage protection level U_p (L-N)	≤ 0.25 kV
Voltage protection level U_p (L-PE)	≤ 0.65 kV
Voltage protection level U_p (N-PE)	≤ 0.65 kV
TOV behavior at U_T (L-N)	50 V AC (5 s / withstand mode)
	50 V AC (120 min / withstand mode)
TOV behavior at U_T (L-PE)	50 V AC (5 s / withstand mode)
	50 V AC (120 min / withstand mode)
Response time t_A (L-N)	≤ 25 ns
Response time t_A (L-PE)	≤ 100 ns
Response time t_A (N-PE)	≤ 100 ns

Type 3 surge protection plug - PLT-SEC-T3-24-P - 2905232

Technical data

Protective circuit

Short-circuit current rating I_{SCCR}	1.5 kA AC
	1 kA DC

Connection data

Connection method	pluggable
-------------------	-----------

UL specifications

SPD Type	4CA
Maximum continuous operating voltage MCOV	34 V AC
	34 V DC
Nominal voltage	24 V DC
Mode of protection	L-N
	L-G
	N-G
	(L+) - (L-)
	(L+) - G
	(L-) - G
Power distribution system	Single phase
Nominal frequency	50/60 Hz
Measured limiting voltage MLV (L-N)	290 V
Measured limiting voltage MLV (L-G)	560 V
Measured limiting voltage MLV (N-G)	560 V
Measured limiting voltage MLV (L+) - (L-)	290 V
Measured limiting voltage MLV (L+) - G	560 V
Measured limiting voltage MLV (L-) - G	560 V
Nominal discharge current I_n	1 kA

Standards and Regulations

Standards/specifications	IEC 61643-11 2011
	EN 61643-11 2012

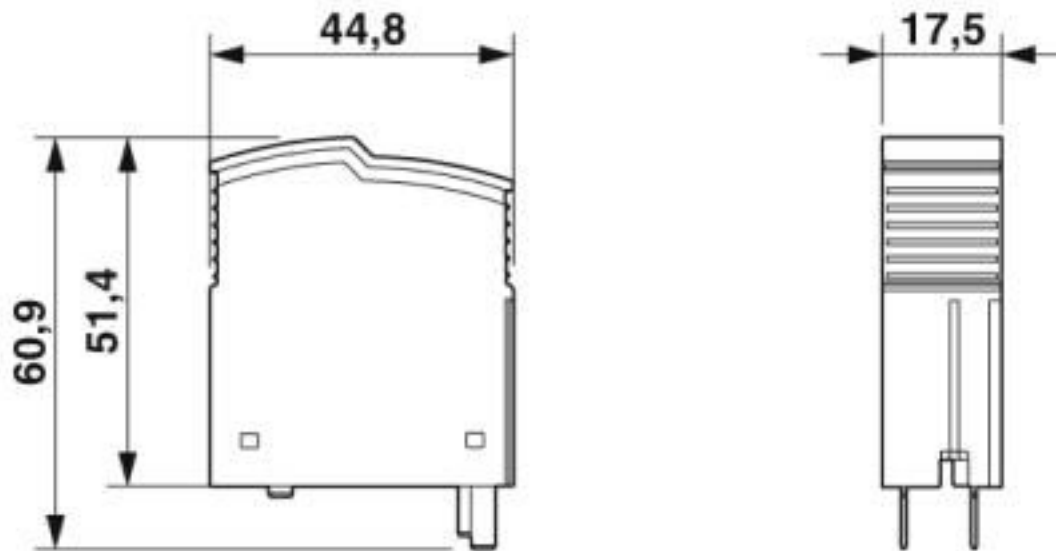
Environmental Product Compliance

REACH SVHC	Lead 7439-92-1
China RoHS	Environmentally friendly use period: unlimited = EFUP-e
	No hazardous substances above threshold values

Drawings

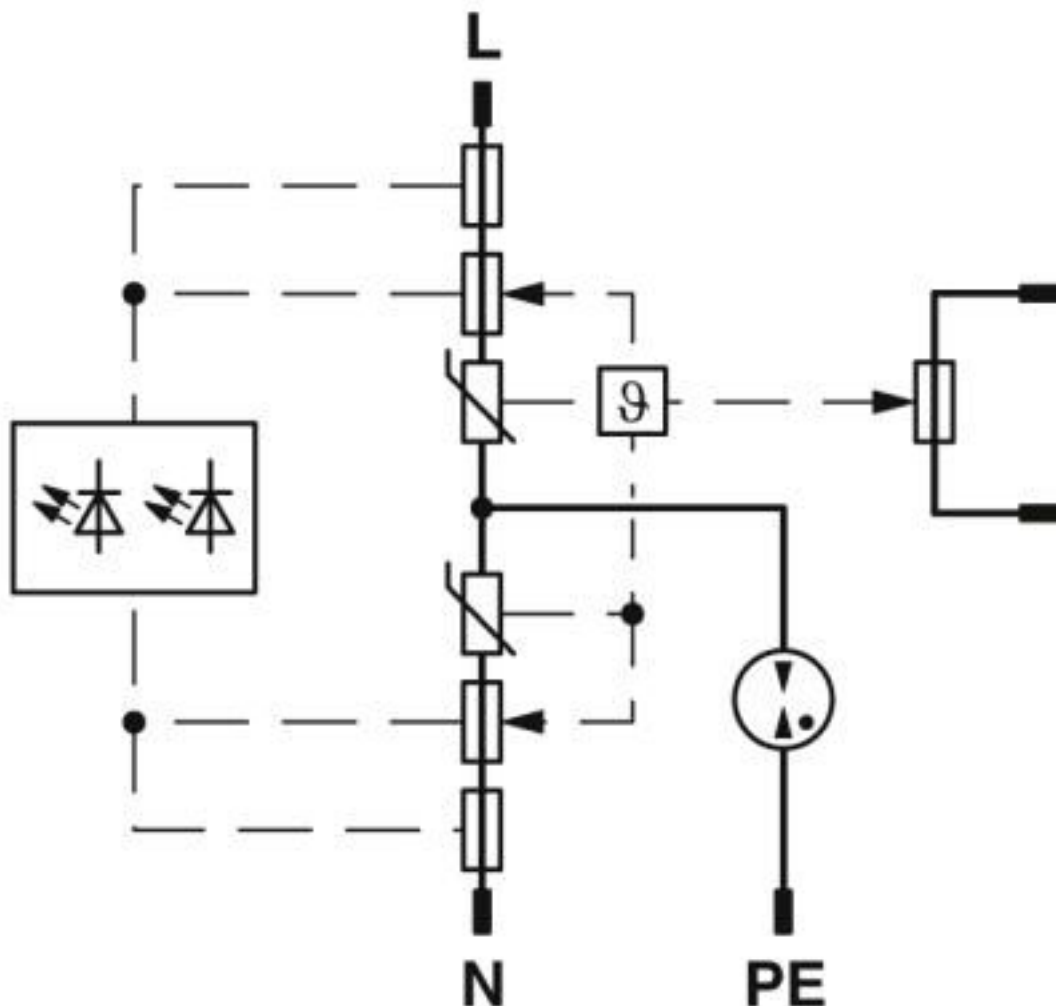
Type 3 surge protection plug - PLT-SEC-T3-24-P - 2905232

Dimensional drawing



Type 3 surge protection plug - PLT-SEC-T3-24-P - 2905232

Circuit diagram



Classifications

eCl@ss

eCl@ss 5.1	27130800
eCl@ss 6.0	27130800
eCl@ss 7.0	27130806
eCl@ss 8.0	27130890
eCl@ss 9.0	27130890

ETIM

ETIM 5.0	EC002496
ETIM 6.0	EC002496
ETIM 7.0	EC002496

Type 3 surge protection plug - PLT-SEC-T3-24-P - 2905232

Classifications

UNSPSC

UNSPSC 13.2	39121620
UNSPSC 18.0	39121620
UNSPSC 19.0	39121620
UNSPSC 20.0	39121620
UNSPSC 21.0	39121620

Approvals

Approvals






Approvals

GL / CCA / KEMA-KEUR / IECEE CB Scheme / EAC / UL Recognized

Ex Approvals

UL Recognized

Approval details

GL		https://approvalfinder.dnvgi.com/	14588-15 HH
CCA			NTR-NL 7399
KEMA-KEUR		http://www.dekra-certification.com	2173868.01
IECEE CB Scheme		http://www.iecee.org/	NL-35777
EAC			RU C- DE.*09.B.00169
UL Recognized		http://database.ul.com/cgi-bin/XYV/template/LISEXT/1FRAME/index.htm	FILE E 330181

Type 3 surge protection plug - PLT-SEC-T3-24-P - 2905232

Accessories

Accessories

Device marking

Label - EML (20XE)R - 0803452



Label, Roll, white, unlabeled, can be labeled with: THERMOMARK ROLLMASTER 300/600, THERMOMARK X1.2, THERMOMARK ROLL X1, THERMOMARK ROLL 2.0, THERMOMARK ROLL, mounting type: adhesive, lettering field size: continuous x 20#mm

Label - EML (20XE)R YE - 0803453



Label, Roll, yellow, unlabeled, can be labeled with: THERMOMARK ROLLMASTER 300/600, THERMOMARK X1.2, THERMOMARK ROLL X1, THERMOMARK ROLL 2.0, THERMOMARK ROLL, mounting type: adhesive, lettering field size: continuous x 20#mm

End block

End clamp - CLIPFIX 35 - 3022218



Quick mounting end clamp for NS 35/7,5 DIN rail or NS 35/15 DIN rail, with marking option, width: 9.5 mm, color: gray

Marker pen

Marker pen - X-PEN 0,35 - 0811228



Marker pen without ink cartridge, for manual labeling of markers, labeling extremely wipe-proof, line thickness 0.35 mm

Additional products

Type 3 surge protection base element - PLT-SEC-T3-BE - 2905557



Base element for protective plugs from the PLUGTRAB SEC product series with remote indication contact.

Type 3 surge protection plug - PLT-SEC-T3-24-P - 2905232

Accessories

Phoenix Contact 2020 © - all rights reserved
<http://www.phoenixcontact.com>

PHOENIX CONTACT GmbH & Co. KG
Flachsmarktstr. 8
32825 Blomberg
Germany
Tel. +49 5235 300
Fax +49 5235 3 41200
<http://www.phoenixcontact.com>

X-ON Electronics

Largest Supplier of Electrical and Electronic Components

Click to view similar products for [DIN Rail Terminal Blocks](#) category:

Click to view products by [Phoenix Contact](#) manufacturer:

Other Similar products are found below :

[1045932](#) [00110420202](#) [00110430402](#) [5724.2/L](#) [592808-3](#) [CTS25U/BL](#) [CTS2.5U-N/Y](#) [90.080](#) [91.010](#) [91.040](#) [DP25-GY-ND](#) [15288](#) [90.070](#)
[90.202](#) [90.905](#) [91.001](#) [91.020](#) [91.201](#) [91.340](#) [2713793](#) [2757571](#) [280-331](#) [283-317](#) [283-607](#) [2909044](#) [2909798](#) [29-2052](#) [SRT2-OD08CL-1](#)
[CDL4U\(E\)MOV](#) [2757801](#) [2794660](#) [284-317](#) [2907033](#) [3048496](#) [CTS2.5U-N/O](#) [5542152](#) [5602077](#) [0709880](#) [5520682](#) [5607102](#) [EPUSC](#)
[SRT2-OD16P](#) [2901288](#) [591620-2](#) [1-591651-1](#) [NRA37-1/2](#) [592814-1](#) [592814-3](#) [SRT2-ID16P](#) [NRA37-12](#)