

## Type 3 surge protection plug - PLT-SEC-T3-3S-230-P - 2905236

Please be informed that the data shown in this PDF Document is generated from our Online Catalog. Please find the complete data in the user's documentation. Our General Terms of Use for Downloads are valid (<http://phoenixcontact.com/download>)




Replacement plug for type 3 device protection from the PLUGTRAB SEC T3 3S product range. 230 V nominal voltage.

### Your advantages

- ✓ Optimum power distribution between the type classes, thanks to energy coordination within the entire SEC product family
- ✓ Easy to maintain due to consistently pluggable protection modules
- ✓ Excellent level of information provided by visual status indicator
- ✓ Optimal additional protection of the multi-phase industrial power supply for a longer service life and increased availability of the system



### Key Commercial Data

Packing unit	1 pc
GTIN	 4 046356 939751
GTIN	4046356939751

### Technical data

#### Dimensions

Height	44.8 mm
Width	35.2 mm
Depth	60.9 mm
Horizontal pitch	2 Div.

#### Ambient conditions

Degree of protection	IP20
Ambient temperature (operation)	-40 °C ... 70 °C
Ambient temperature (storage/transport)	-40 °C ... 70 °C
Altitude	≤ 2000 m (amsl (above mean sea level))
Permissible humidity (operation)	5 % ... 95 %
Shock (operation)	30g (Half-sine / 11 ms / 3x ±X, ±Y, ±Z)
Vibration (operation)	5g (10 ... 150 Hz/20 cycles/axis/X, Y, Z)

# Type 3 surge protection plug - PLT-SEC-T3-3S-230-P - 2905236

## Technical data

### General

EN type	T3
Mode of protection	L-N
	L-PE
	N-PE
Mounting type	on base element
Color	light grey RAL 7035
Housing material	PA 6.6-FR 20 % GF
	PA 6.6-FR
Degree of pollution	2
Flammability rating according to UL 94	V-0
Type	Male
Number of positions	4
Surge protection fault message	optical

### Protective circuit

Nominal voltage $U_N$	230/400 V AC (TN-S)
	230/400 V AC (TT - only in use with RCD)
Nominal frequency $f_N$	50 Hz (60 Hz)
Maximum continuous voltage $U_C$	264 V AC
Residual current $I_{PE}$	$\leq 5 \mu A$
Nominal discharge current $I_n$ (8/20) $\mu s$	3 kA
Standby power consumption $P_C$	$\leq 2 VA$ (at $U_{REF}$ )
	$\leq 2.2 VA$ (at $U_C$ )
Reference test voltage $U_{REF}$	255 V AC
Combination wave $U_{OC}$	6 kV
Voltage protection level $U_p$ (L-N)	$\leq 1.4 kV$
Voltage protection level $U_p$ (L-PE)	$\leq 1.5 kV$
Voltage protection level $U_p$ (N-PE)	$\leq 1.5 kV$
TOV behavior at $U_T$ (L-N)	440 V AC (5 s / withstand mode)
	440 V AC (120 min / withstand mode)
TOV behavior at $U_T$ (L-PE)	440 V AC (5 s / withstand mode)
	440 V AC (120 min / withstand mode)
	1455 V AC (200 ms / safe failure mode)
TOV behavior at $U_T$ (N-PE)	1200 V AC (200 ms / safe failure mode)
Response time $t_A$ (L-N)	$\leq 25 ns$
Response time $t_A$ (L-PE)	$\leq 100 ns$
Response time $t_A$ (N-PE)	$\leq 100 ns$
Short-circuit current rating $I_{SCCR}$	1.5 kA AC

### Connection data

Connection method	pluggable
-------------------	-----------

# Type 3 surge protection plug - PLT-SEC-T3-3S-230-P - 2905236

## Technical data

### Standards and Regulations

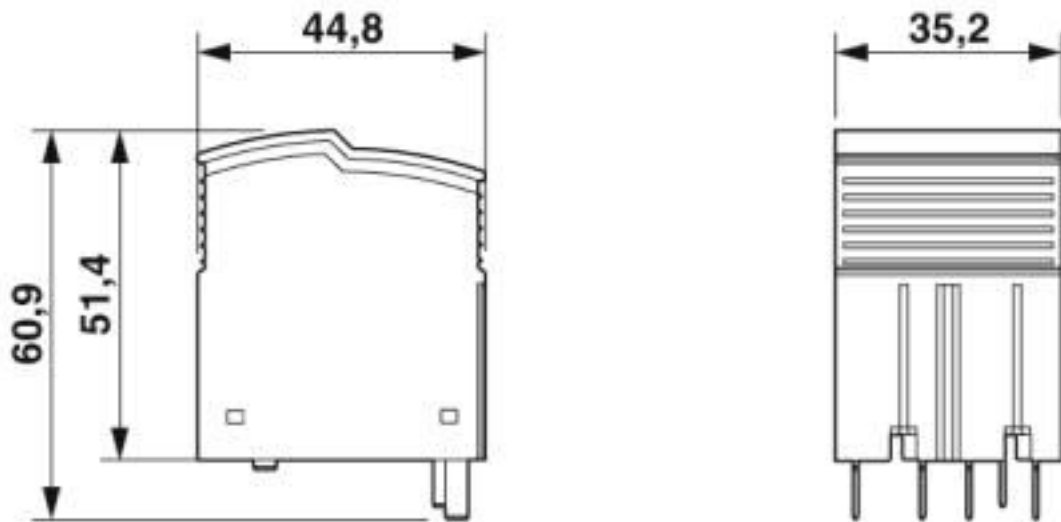
Standards/specifications	IEC 61643-11 2011
	EN 61643-11 2012

### Environmental Product Compliance

REACH SVHC	Lead 7439-92-1
China RoHS	Environmentally friendly use period: unlimited = EFUP-e
	No hazardous substances above threshold values

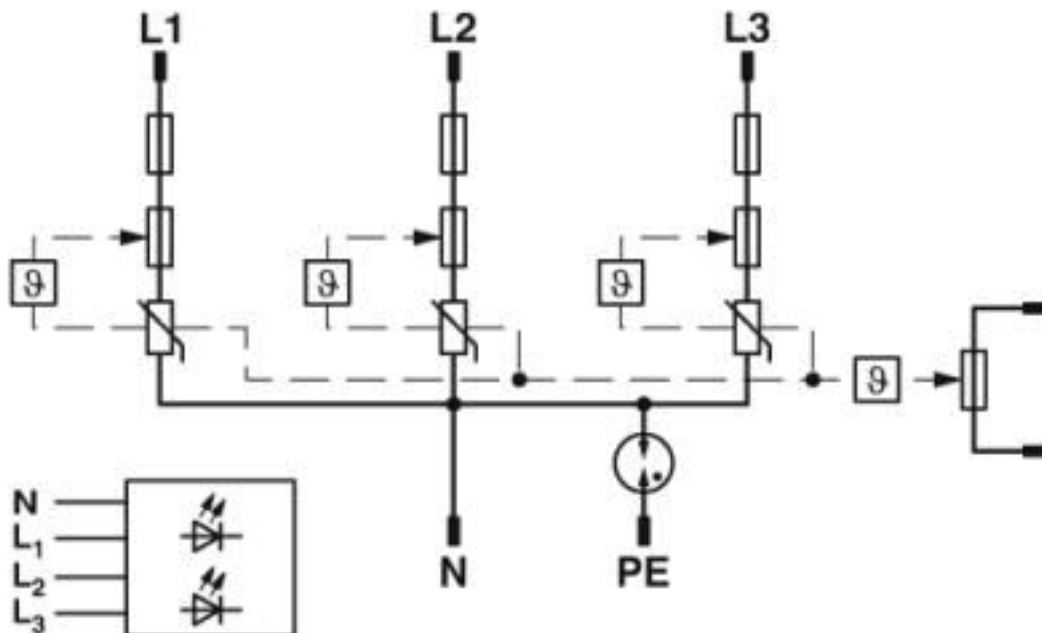
## Drawings

Dimensional drawing



## Type 3 surge protection plug - PLT-SEC-T3-3S-230-P - 2905236

Circuit diagram



### Classifications

#### eCl@ss

eCl@ss 10.0.1	27130890
eCl@ss 4.0	27130800
eCl@ss 4.1	27130800
eCl@ss 5.0	27130800
eCl@ss 5.1	27130800
eCl@ss 6.0	27130800
eCl@ss 7.0	27130806
eCl@ss 8.0	27130890
eCl@ss 9.0	27130890

#### ETIM

ETIM 5.0	EC002496
ETIM 6.0	EC000942
ETIM 7.0	EC000942

#### UNSPSC

UNSPSC 13.2	39121620
UNSPSC 18.0	39121620
UNSPSC 19.0	39121620
UNSPSC 20.0	39121620
UNSPSC 21.0	39121620

# Type 3 surge protection plug - PLT-SEC-T3-3S-230-P - 2905236

## Approvals

Approvals

---

Approvals

EAC

---

Ex Approvals

---

## Approval details

EAC		RU C- DE.*09.B.00169
-----	--	-------------------------

## Accessories

Accessories

Device marking

Label - EML (20XE)R - 0803452



Label, Roll, white, unlabeled, can be labeled with: THERMOMARK ROLLMASTER 300/600, THERMOMARK X1.2, THERMOMARK ROLL X1, THERMOMARK ROLL 2.0, THERMOMARK ROLL, mounting type: adhesive, lettering field size: continuous x 20#mm

---

Label - EML (20XE)R YE - 0803453



Label, Roll, yellow, unlabeled, can be labeled with: THERMOMARK ROLLMASTER 300/600, THERMOMARK X1.2, THERMOMARK ROLL X1, THERMOMARK ROLL 2.0, THERMOMARK ROLL, mounting type: adhesive, lettering field size: continuous x 20#mm

---

End block

End clamp - CLIPFIX 35 - 3022218



Quick mounting end clamp for NS 35/7,5 DIN rail or NS 35/15 DIN rail, with marking option, width: 9.5 mm, color: gray

---

## Type 3 surge protection plug - PLT-SEC-T3-3S-230-P - 2905236

### Accessories

#### Marker pen

Marker pen - X-PEN 0,35 - 0811228



Marker pen without ink cartridge, for manual labeling of markers, labeling extremely wipe-proof, line thickness 0.35 mm

---

Phoenix Contact 2020 © - all rights reserved  
<http://www.phoenixcontact.com>

PHOENIX CONTACT GmbH & Co. KG  
Flachsmarktstr. 8  
32825 Blomberg  
Germany  
Tel. +49 5235 300  
Fax +49 5235 3 41200  
<http://www.phoenixcontact.com>

## X-ON Electronics

Largest Supplier of Electrical and Electronic Components

*Click to view similar products for [DIN Rail Terminal Blocks](#) category:*

*Click to view products by [Phoenix Contact](#) manufacturer:*

Other Similar products are found below :

[00110420202](#) [8WA1011-1BH23](#) [8WA1011-1EF20](#) [91.010](#) [9102100000](#) [91.040](#) [9123140000](#) [9123140001](#) [RBO 5-T-B-HEX](#) [1333564](#) [DP25-GY-ND](#) [1431306](#) [1433306](#) [HSL-TB64-DIN](#) [90.070](#) [91.020](#) [912314](#) [260-301\\_NR](#) [2757571](#) [280-331](#) [280-560](#) [280-564](#) [281-611/281-542](#) [281-673/281-411](#) [281-994](#) [283-317](#) [283-607](#) [2909798](#) [264-724](#) [264-726](#) [280-530](#) [280-555](#) [280-619](#) [281-610](#) [281-622/281-417](#) [284-317](#) [284-601](#) [2907033](#) [3048496](#) [5542152](#) [35956](#) [USK 10](#) [102510](#) [1025100000](#) [5520682](#) [5607102](#) [EMH 25-ZE30](#) [591620-2](#) [UM 45-SEFE](#) [M.NUT BK](#) [1-591651-1](#)