

# Communication module - MINI MCR-2-V8-MOD-RTU - 2905634

Please be informed that the data shown in this PDF Document is generated from our Online Catalog. Please find the complete data in the user's documentation. Our General Terms of Use for Downloads are valid (<http://phoenixcontact.com/download>)




Eight MINI Analog Pro signal conditioners and measuring transducers can be quickly and easily integrated into a Modbus/RTU network via a communication adapter.

## Product Description

Thanks to its innovative plug-in concept, the communication adapter offers a time-saving wiring solution. Eight MINI Analog Pro signal converters can be quickly and easily integrated into a Modbus/RTU network using a communication adapter. Flexible signal combinations and eliminating the need for I/O input cards saves space and money in the control cabinet.



## Key Commercial Data

Packing unit	1 pc
GTIN	 4 046356 997119
GTIN	4046356997119

## Technical data

### Note

Utilization restriction	EMC: class A product, see manufacturer's declaration in the download area
-------------------------	---

### Dimensions

Width	51.1 mm
Height	104.1 mm
Depth	56.8 mm

### Ambient conditions

Ambient temperature (operation)	-40 °C ... 65 °C
Ambient temperature (storage/transport)	-40 °C ... 70 °C
Maximum altitude	4000 m
Permissible humidity (operation)	5 % ... 95 %
Permissible humidity (storage/transport)	5 % ... 95 %
Degree of protection	IP20 (Finger safety)

# Communication module - MINI MCR-2-V8-MOD-RTU - 2905634

## Technical data

### Ambient conditions

Noise immunity	EN 61000-6-2 When being exposed to interference, there may be minimal deviations.
----------------	---

### Supply

Nominal supply voltage range	12 V ... 24 V
Supply voltage range	9.6 V ... 30 V
Typical current consumption	110 mA (at 9.6 V DC)
Power consumption	< 1000 mW

### Input data

Available input sources	floating switch contact
	Current source
Number of inputs	8
Configurable/programmable	Yes
Current input signal	4 mA ... 20 mA
Maximum input current	24 mA
Input resistance current input	50 Ω
Maximum input voltage	5 V

### Output data

Number of outputs	1
Configurable/programmable	Yes
Transmission speed	1.2 kbps
	2.4 kbps
	4.8 kbps
	9.6 kbps
	19.2 kbps
	38.4 kbps
	57.6 kbps
	115.2 kbps
Data update rate	15 ms

### General

Maximum transmission error	0.1 %
Maximum temperature coefficient	0.01 %
Degree of protection	IP20 (Finger safety)
Overvoltage category	II
Degree of pollution	2
Rated insulation voltage	50 V <sub>rms</sub>
Test voltage, input/output/supply	0.5 kV
Status display	Green LED
Indication	Red LED
Housing material	PBT 7% GF V0

## Communication module - MINI MCR-2-V8-MOD-RTU - 2905634

### Technical data

#### General

Mounting position	any
-------------------	-----

#### Connection data

Connection name	Output
Connection method	D-SUB socket strip
Number of positions	9

#### Standards and Regulations

Electromagnetic compatibility	Conformance with EMC directive
Noise emission	EN 61000-6-4
Conformance	CE-compliant
UL, USA/Canada	UL 61010 Listed
	Class I, Div. 2, Groups A, B, C, D T5
	Class I, Zone 2, Group IIC T5
GL	GL applied for

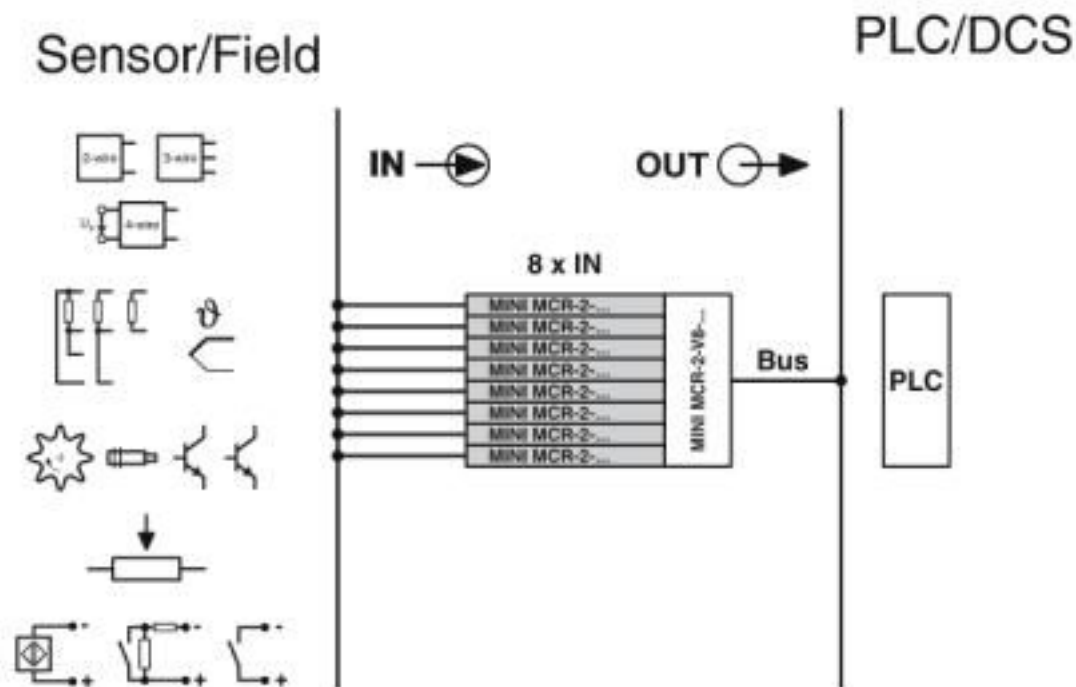
#### Environmental Product Compliance

REACH SVHC	Lead 7439-92-1
China RoHS	Environmentally Friendly Use Period = 50 years
	For details about hazardous substances go to tab "Downloads", Category "Manufacturer's declaration"

### Drawings

# Communication module - MINI MCR-2-V8-MOD-RTU - 2905634

Block diagram



## Classifications

### eCl@ss

eCl@ss 10.0.1	27242608
eCl@ss 4.0	24010400
eCl@ss 4.1	24010400
eCl@ss 5.0	19030300
eCl@ss 5.1	19030300
eCl@ss 6.0	27242600
eCl@ss 7.0	27242608
eCl@ss 8.0	27242608
eCl@ss 9.0	27242608

### ETIM

ETIM 3.0	EC001604
ETIM 4.0	EC001604
ETIM 5.0	EC001604
ETIM 6.0	EC001604
ETIM 7.0	EC001604

### UNSPSC

UNSPSC 13.2	32151602
UNSPSC 18.0	32151602
UNSPSC 19.0	32151602

# Communication module - MINI MCR-2-V8-MOD-RTU - 2905634

## Classifications

### UNSPSC

UNSPSC 20.0	32151602
UNSPSC 21.0	32151602

## Approvals

### Approvals

---

Approvals

UL Listed / cUL Listed / EAC / cULus Listed

---

Ex Approvals

UL Listed / cUL Listed / cULus Listed

### Approval details

UL Listed		<a href="http://database.ul.com/cgi-bin/XYV/template/LISEXT/1FRAME/index.htm">http://database.ul.com/cgi-bin/XYV/template/LISEXT/1FRAME/index.htm</a>	FILE E 238705
-----------	--	---	---------------

cUL Listed		<a href="http://database.ul.com/cgi-bin/XYV/template/LISEXT/1FRAME/index.htm">http://database.ul.com/cgi-bin/XYV/template/LISEXT/1FRAME/index.htm</a>	FILE E 238705
------------	--	---	---------------

EAC		RU*DE.*08.B.01518/19
-----	--	----------------------

cULus Listed	
--------------	--

## Accessories

### Accessories

### Device marking

Marker for end clamp - UCT-EM (30X5) - 0801505



Marker for end clamp, Sheet, white, unlabeled, can be labeled with: TOPMARK NEO, TOPMARK LASER, BLUEMARK ID COLOR, BLUEMARK ID, BLUEMARK CLED, THERMOMARK PRIME, THERMOMARK CARD 2.0, THERMOMARK CARD, mounting type: snapped into marker carrier, lettering field size: 30 x 5 mm, Number of individual labels: 24

## Communication module - MINI MCR-2-V8-MOD-RTU - 2905634

### Accessories

---

#### Marker for end clamp - UCT-EM (30X5) YE - 0830340



Marker for end clamp, Sheet, yellow, unlabeled, can be labeled with: TOPMARK NEO, TOPMARK LASER, BLUEMARK ID COLOR, BLUEMARK ID, BLUEMARK CLED, THERMOMARK PRIME, THERMOMARK CARD 2.0, THERMOMARK CARD, mounting type: snapped into marker carrier, lettering field size: 30 x 5 mm, Number of individual labels: 24

---

#### Plastic label - UC-EMLP (15X5) - 0819301



Plastic label, Sheet, white, unlabeled, can be labeled with: BLUEMARK ID COLOR, BLUEMARK ID, BLUEMARK CLED, PLOTMARK, CMS-P1-PLOTTER, mounting type: adhesive, lettering field size: 15 x 5 mm, Number of individual labels: 10

---

#### Plastic label - UC-EMLP (15X5) YE - 0822615



Plastic label, Sheet, yellow, unlabeled, can be labeled with: BLUEMARK ID COLOR, BLUEMARK ID, BLUEMARK CLED, PLOTMARK, CMS-P1-PLOTTER, mounting type: adhesive, lettering field size: 15 x 5 mm, Number of individual labels: 10

---

#### Plastic label - UC-EMLP (15X5) SR - 0828095



Plastic label, Sheet, silver, unlabeled, can be labeled with: BLUEMARK ID COLOR, BLUEMARK ID, BLUEMARK CLED, PLOTMARK, CMS-P1-PLOTTER, mounting type: adhesive, lettering field size: 15 x 5 mm, Number of individual labels: 10

---

#### Plastic label - US-EMLP (15X5) - 0828790



Plastic label, Card, white, unlabeled, can be labeled with: BLUEMARK ID COLOR, BLUEMARK ID, THERMOMARK PRIME, THERMOMARK CARD 2.0, THERMOMARK CARD, mounting type: adhesive, lettering field size: 15 x 5 mm, Number of individual labels: 189

---

## Communication module - MINI MCR-2-V8-MOD-RTU - 2905634

### Accessories

#### Plastic label - US-EMLP (15X5) YE - 0828873



Plastic label, Card, yellow, unlabeled, can be labeled with: BLUEMARK ID COLOR, BLUEMARK ID, THERMOMARK PRIME, THERMOMARK CARD 2.0, THERMOMARK CARD, mounting type: adhesive, lettering field size: 15 x 5 mm, Number of individual labels: 189

---

#### Plastic label - US-EMLP (15X5) SR - 0828874



Plastic label, Card, silver, unlabeled, can be labeled with: BLUEMARK ID COLOR, BLUEMARK ID, THERMOMARK PRIME, THERMOMARK CARD 2.0, THERMOMARK CARD, mounting type: adhesive, lettering field size: 15 x 5 mm, Number of individual labels: 189

---

### DIN rail connector

#### DIN rail bus connectors - ME 6,2 TBUS-2 1,5/5-ST-3,81 GY - 2695439



DIN rail connector (TBUS), 5-pos., for bridging the supply voltage, can be snapped onto NS 35/... DIN rails according to EN 60715

---

#### DIN rail bus connectors - ME 6,2 TBUS-2 1,5/5-ST-3,81 GN - 2869728



DIN rail connector for DIN rail mounting. Universal for TBUS housing. Gold-plated contacts, 5-pos.

---

### Evaluation unit

#### Monitoring module - MINI MCR-2-FM-RC - 2904504



Fault monitoring module with plug-in connection technology for evaluating and reporting group errors from the FM system and for monitoring the supply voltages. Error message via N/C contact. Screw connection technology, standard configuration

## Communication module - MINI MCR-2-V8-MOD-RTU - 2905634

### Accessories

#### Monitoring module - MINI MCR-2-FM-RC-PT - 2904508



Fault monitoring module with plug-in connection technology for evaluating and reporting group errors from the FM system and for monitoring the supply voltages. Error message via N/C contact. Push-in connection technology, standard configuration

---

#### Monitoring module - MINI MCR-2-FM-RC - 2904504



Fault monitoring module with plug-in connection technology for evaluating and reporting group errors from the FM system and for monitoring the supply voltages. Error message via N/C contact. Screw connection technology, standard configuration

---

#### Monitoring module - MINI MCR-2-FM-RC-PT - 2904508



Fault monitoring module with plug-in connection technology for evaluating and reporting group errors from the FM system and for monitoring the supply voltages. Error message via N/C contact. Push-in connection technology, standard configuration

---

### Feed-through terminal block

#### Feed-through terminal block - MINI MCR-2-TB - 2902068



Feed-through terminal block with plug-in connection technology for the transmission of signals already electrically isolated. Screw connection technology

---

#### Feed-through terminal block - MINI MCR-2-TB - 2902068



Feed-through terminal block with plug-in connection technology for the transmission of signals already electrically isolated. Screw connection technology

---

### Frequency transducer



## Communication module - MINI MCR-2-V8-MOD-RTU - 2905634

### Accessories

#### Frequency transducer - MINI MCR-2-UI-FRO-PT - 2902032



Analog frequency transducer with limit value functionality and plug-in connection technology for converting standard signals into frequency or PWM signals. Configurable via DIP switch or software. Push-in connection technology, standard configuration.

---

#### Frequency transducer - MINI MCR-2-UI-FRO - 2902031



Analog frequency transducer with limit value functionality and plug-in connection technology for converting standard signals into frequency or PWM signals. Configurable via DIP switch or software. Screw connection technology, standard configuration.

---

#### Frequency transducer - MINI MCR-2-UI-FRO-PT-C - 2906202



Analog frequency transducer with limit value functionality and plug-in connection technology for converting standard signals into frequency or PWM signals. Configurable via DIP switch or software. Push-in connection technology, order configuration.

---

#### Frequency transducer - MINI MCR-2-UI-FRO-C - 2906201



Analog frequency transducer with limit value functionality and plug-in connection technology for converting standard signals into frequency or PWM signals. Configurable via DIP switch or software. Screw connection technology, order configuration.

---

#### Frequency transducer - MINI MCR-2-F-UI - 2902056



Universally configurable frequency transducer for converting frequency and PWM signals into standard signals. Sensor voltages greater than 8.2 V DC are possible in combination with MINI MCR-2-SPS 1033202. Screw connection technology.

---

## Communication module - MINI MCR-2-V8-MOD-RTU - 2905634

### Accessories

Frequency transducer - MINI MCR-2-F-UI-PT - 2902058



Universally configurable frequency transducer for converting frequency and PWM signals into standard signals. Sensor voltages greater than 8.2 V DC are possible in combination with MINI MCR-2-SPS-PT 1033201. Push-in connection technology.

---

Isolating switch transf.

Isolation amplifier - MINI MCR-2-NAM-2RO-PT - 2902005



Configurable NAMUR signal conditioner with plug-in connection technology for proximity sensors, floating switch contacts, and switch contacts with resistance circuit. 2 transistor outputs. Configurable via DIP switch. Push-in connection technology.

---

Isolation amplifier - MINI MCR-2-NAM-2RO - 2902004



Configurable NAMUR signal conditioner with plug-in connection technology for proximity sensors, floating switch contacts, and switch contacts with resistance circuit. 2 transistor outputs, configurable via DIP switch. Screw connection technology.

---

Labeled device marker

Marker for end clamp - UCT-EM (30X5) CUS - 0801589



Marker for end clamp, can be ordered: by sheet, white, labeled according to customer specifications, mounting type: snapped into marker carrier, lettering field size: 30 x 5 mm, Number of individual labels: 24

---

Marker for end clamp - UCT-EM (30X5) YE CUS - 0830348



Marker for end clamp, can be ordered: by sheet, yellow, labeled according to customer specifications, mounting type: snapped into marker carrier, lettering field size: 30 x 5 mm, Number of individual labels: 24

---

## Communication module - MINI MCR-2-V8-MOD-RTU - 2905634

### Accessories

Plastic label - UC-EMLP (15X5) CUS - 0824550



Plastic label, can be ordered: by sheet, white, labeled according to customer specifications, mounting type: adhesive, lettering field size: 15 x 5 mm

---

Plastic label - UC-EMLP (15X5) YE CUS - 0824551



Plastic label, can be ordered: by sheet, yellow, labeled according to customer specifications, mounting type: adhesive, lettering field size: 15 x 5 mm

---

Plastic label - UC-EMLP (15X5) SR CUS - 0828099



Plastic label, can be ordered: by sheet, silver, labeled according to customer specifications, mounting type: adhesive, lettering field size: 15 x 5 mm, Number of individual labels: 10

---

Plastic label - US-EMLP (15X5) CUS - 0830076



Plastic label, can be ordered: by card, white, labeled according to customer specifications, mounting type: adhesive, lettering field size: 15 x 5 mm, Number of individual labels: 189

---

Plastic label - US-EMLP (15X5) YE CUS - 0830077



Plastic label, can be ordered: by card, yellow, labeled according to customer specifications, mounting type: adhesive, lettering field size: 15 x 5 mm, Number of individual labels: 189

---

## Communication module - MINI MCR-2-V8-MOD-RTU - 2905634

### Accessories

Plastic label - US-EMLP (15X5) SR CUS - 0830078



Plastic label, can be ordered: by card, silver, labeled according to customer specifications, mounting type: adhesive, lettering field size: 15 x 5 mm, Number of individual labels: 189

---

### Potipotition transducer

Resistance/potipotition transducer - MINI MCR-2-POT-UI-PT - 2902017



Configurable potipotition transducer with plug-in connection technology for connecting potentiometers from 0  $\Omega$  ... 100  $\Omega$  to 0 k $\Omega$  ... 100 k $\Omega$ . Configurable via DIP switch or software. push-in connection technology, standard configuration

---

Resistance/potipotition transducer - MINI MCR-2-POT-UI - 2902016



Configurable potipotition transducer with plug-in connection technology for connecting potentiometers from 0  $\Omega$  ... 100  $\Omega$  to 0 k $\Omega$  ... 100 k $\Omega$ . Configurable via DIP switch or software. Screw connection technology, standard configuration

---

Resistance/potipotition transducer - MINI MCR-2-POT-UI-PT-C - 2905006



Configurable potipotition transducer with plug-in connection technology for connecting potentiometers from 0  $\Omega$  ... 100  $\Omega$  to 0 k $\Omega$  ... 100 k $\Omega$ . Configurable via DIP switch or software. Push-in connection technology, order configuration

---

Resistance/potipotition transducer - MINI MCR-2-POT-UI-C - 2905005



Configurable potipotition transducer with plug-in connection technology for connecting potentiometers from 0  $\Omega$  ... 100  $\Omega$  to 0 k $\Omega$  ... 100 k $\Omega$ . Configurable via DIP switch or software. Screw connection technology, order configuration

---

### Power module

## Communication module - MINI MCR-2-V8-MOD-RTU - 2905634

### Accessories

Power terminal block - MINI MCR-2-PTB - 2902066



Power terminal with plug-in connection technology for delivering the supply voltage to the DIN rail connector. Monitoring of the supply voltages in combination with the fault monitoring module. Screw connection technology

---

Power terminal block - MINI MCR-2-PTB-PT - 2902067



Power terminal with plug-in connection technology for delivering the supply voltage to the DIN rail connector. Monitoring of the supply voltages in combination with the fault monitoring module. Push-in connection technology

---

### Programming adapter

Adapter - IFS-BT-PROG-ADAPTER - 2905872



Bluetooth adapter with micro USB and S-PORT interface for wireless communication with the MINI Analog, MINI Analog Pro, MACX Analog, INTERFACE system gateways, and PLC logic device series.

---

Programming adapter - IFS-USB-PROG-ADAPTER - 2811271



Programming adapter with USB interface, for programming with software. The USB driver is included in the software solutions for the products to be programmed, such as measuring transducers or motor managers.

---

Programming adapter - TWN4 MIFARE NFC USB ADAPTER - 2909681



Near Field Communication (NFC) programming adapter with USB interface for the wireless configuration of NFC-capable products from PHOENIX CONTACT with software. No separate USB driver is required.

---

### Repeater power supplies

## Communication module - MINI MCR-2-V8-MOD-RTU - 2905634

### Accessories

#### Repeater power supply - MINI MCR-2-RPSS-I-I-PT - 2902015



3-way repeater power supply with plug-in connection technology. HART-transparent, input signal 0(4)...20 mA, output signal 0(4)...20 mA. The device can be used in both isolator and repeater power supply operation. push-in connection technology

---

#### Repeater power supply - MINI MCR-2-RPSS-I-I - 2902014



3-way repeater power supply with plug-in connection technology. HART-transparent, input signal 0(4)...20 mA, output signal 0(4)...20 mA. The device can be used in both isolator and repeater power supply operation. Screw connection technology

---

#### Repeater power supply - MINI MCR-2-RPSS-I-2I-PT - 2905629



4-way power supply doubler with plug-in connection technology. HART-transparent, 0(4) mA ... 20 mA input signal, 0(4) mA ... 20 mA output signals. The device can be used in both signal and power supply doubler modes. Push-in connection technology.

---

#### Repeater power supply - MINI MCR-2-RPSS-I-2I - 2905628



4-way power supply doubler with plug-in connection technology. HART-transparent, 0(4) mA ... 20 mA input signal, 0(4) mA ... 20 mA output signals. The device can be used in both signal and power supply doubler modes. Screw connection technology.

---

### Signal conditioner

#### Signal conditioner - MINI MCR-2-UNI-UI-UIRO-PT - 2902028



Universally configurable 4-way signal conditioner, with switching output and plug-in connection technology for the electrical isolation of analog signals. Configurable via DIP switch or software. Push-in connection technology, standard configuration.

---

## Communication module - MINI MCR-2-V8-MOD-RTU - 2905634

### Accessories

#### Signal conditioner - MINI MCR-2-UNI-UI-UIRO - 2902026



Universally configurable 4-way signal conditioner, with switching output and plug-in connection technology for the electrical isolation of analog signals. Configurable via DIP switch or software. Screw connection technology, standard configuration.

---

#### Signal conditioner - MINI MCR-2-UNI-UI-UIRO-PT-C - 2902027



Universally configurable 4-way signal conditioner, with switching output and plug-in connection technology for the electrical isolation of analog signals. Configurable via DIP switch or software. Push-in connection technology, order configuration.

---

#### Signal conditioner - MINI MCR-2-UNI-UI-UIRO-C - 2902024



Universally configurable 4-way signal conditioner, with switching output and plug-in connection technology for the electrical isolation of analog signals. Configurable via DIP switch or software. Screw connection technology, order configuration.

---

#### Signal conditioner - MINI MCR-2-UI-UI-PT - 2902040



3-way signal conditioner with plug-in connection technology and calibrated measuring range changeover, for the electrical isolation of unipolar and bipolar analog signals. Input/output configurable via DIP switch. push-in connection technology, standard configuration.

---

#### Signal conditioner - MINI MCR-2-UI-UI - 2902037



3-way signal conditioner with plug-in connection technology and calibrated measuring range changeover for the electrical isolation of unipolar and bipolar analog signals. Input/output configurable via DIP switch. Screw connection technology, standard configuration.

---

## Communication module - MINI MCR-2-V8-MOD-RTU - 2905634

### Accessories

#### Signal conditioner - MINI MCR-2-UI-UI-PT-C - 2902039



3-way signal conditioner with plug-in connection technology and calibrated measuring range changeover for the electrical isolation of unipolar and bipolar analog signals. Input/output configurable via DIP switch. push-in connection technology, order configuration.

---

#### Signal conditioner - MINI MCR-2-UI-UI-C - 2902036



3-way signal conditioner with plug-in connection technology and calibrated measuring range changeover for the electrical isolation of unipolar and bipolar analog signals. Input/output configurable via DIP switch. Screw connection technology, order configuration.

---

#### Signal conditioner - MINI MCR-2-U-UI-PT - 2902021



3-way signal conditioner, with configurable input/output, for electrical isolation and conversion of analog signals in the mV and V range, unipolar as well as bipolar. Push-in connection technology, standard configuration.

---

#### Signal conditioner - MINI MCR-2-U-UI - 2902019



3-way signal conditioner, with configurable input/output, for electrical isolation and conversion of analog signals in the mV and V range, unipolar as well as bipolar. Screw connection technology, standard configuration.

---

#### Signal conditioner - MINI MCR-2-U-I0-PT - 2902023



3-way signal conditioner with plug-in connection technology for the electrical isolation of analog signals. Input signal: 0 ... 10 V, output signal: 0 ... 20 mA, push-in connection technology

---



## Communication module - MINI MCR-2-V8-MOD-RTU - 2905634

### Accessories

#### Signal conditioner - MINI MCR-2-U-I0 - 2902022



3-way signal conditioner with plug-in connection technology for the electrical isolation of analog signals. Input signal: 0 ... 10 V, output signal: 0 ... 20 mA, screw connection technology

---

#### Signal conditioner - MINI MCR-2-U-I4-PT - 2902030



3-way signal conditioner with plug-in connection technology for the electrical isolation of analog signals. Input signal: 0 ... 10 V, output signal: 4 ... 20 mA, push-in connection technology

---

#### Signal conditioner - MINI MCR-2-U-I4 - 2902029



3-way signal conditioner with plug-in connection technology for the electrical isolation of analog signals. Input signal: 0 ... 10 V, output signal: 4 ... 20 mA, screw connection technology

---

#### Signal conditioner - MINI MCR-2-I-I-PT - 2901999



3-way signal conditioner with plug-in connection technology for the electrical isolation of analog signals. Input signal: 0(4) mA ... 20 mA, output signal: 0(4) mA ... 20 mA, push-in connection technology.

---

#### Signal conditioner - MINI MCR-2-I-I - 2901998



3-way signal conditioner with plug-in connection technology for the electrical isolation of analog signals. Input signal: 0(4) mA ... 20 mA, output signal: 0(4) mA ... 20 mA, screw connection technology

---

## Communication module - MINI MCR-2-V8-MOD-RTU - 2905634

### Accessories

#### Loop-powered isolators - MINI MCR-2-I-I-ILP-PT - 2901995



Single-channel input loop-powered 2-way isolator with plug-in connection technology for the electrical isolation of analog signals. Input signal = output signal: 0(4) mA ... 20 mA. Push-in connection technology.

---

#### Loop-powered isolators - MINI MCR-2-I-I-ILP - 2901994



Single-channel input loop-powered 2-way isolator with plug-in connection technology for the electrical isolation of analog signals. Input signal = output signal: 0(4) mA ... 20 mA. Screw connection technology.

---

### Signal duplicator

#### Signal duplicator - MINI MCR-2-UNI-UI-2UI-PT - 2905028



Universally configurable 4-way signal duplicator, with plug-in connection technology for the electrical isolation and duplication of analog signals. Configurable via DIP switch or software. Push-in connection technology, standard configuration.

---

#### Signal duplicator - MINI MCR-2-UNI-UI-2UI - 2905026



Universally configurable 4-way signal duplicator, with plug-in connection technology for the electrical isolation and duplication of analog signals. Configurable via DIP switch or software. Screw connection technology, standard configuration.

---

#### Signal duplicator - MINI MCR-2-UNI-UI-2UI-PT-C - 2905027



Universally configurable 4-way signal duplicator, with plug-in connection technology for the electrical isolation and duplication of analog signals. Configurable via DIP switch or software. Push-in connection technology, order configuration.

---

## Communication module - MINI MCR-2-V8-MOD-RTU - 2905634

### Accessories

Signal duplicator - MINI MCR-2-UNI-UI-2UI-C - 2905025



Universally configurable 4-way signal duplicator, with plug-in connection technology for the electrical isolation and duplication of analog signals. Configurable via DIP switch or software. Screw connection technology, order configuration.

---

### Temperature transmitter

Resistance thermometer measuring transducer - MINI MCR-2-RTD-UI-PT - 2902052



Configurable temperature transducer with plug-in connection technology for connecting 2, 3, and 4-conductor resistance thermometers and resistance-type sensors. Configurable via DIP switch or software. push-in connection technology, standard configuration

---

Resistance thermometer measuring transducer - MINI MCR-2-RTD-UI - 2902049



Configurable temperature transducer with plug-in connection technology for connecting 2, 3, and 4-conductor resistance thermometers and resistance-type sensors. Configurable via DIP switch or software. Screw connection technology, standard configuration

---

Resistance thermometer measuring transducer - MINI MCR-2-RTD-UI-PT-C - 2902051



Configurable temperature transducer with plug-in connection technology for connecting 2, 3, and 4-conductor resistance thermometers and resistance-type sensors. Configurable via DIP switch or software. push-in connection technology, order configuration

---

Resistance thermometer measuring transducer - MINI MCR-2-RTD-UI-C - 2902048



Configurable temperature transducer with plug-in connection technology for connecting 2, 3, and 4-conductor resistance thermometers and resistance-type sensors. Configurable via DIP switch or software. Screw connection technology, order configuration

---

## Communication module - MINI MCR-2-V8-MOD-RTU - 2905634

### Accessories

Thermocouple measuring transducer - MINI MCR-2-TC-UI-PT - 2905249



Configurable temperature transducer with plug-in connection technology for connecting thermocouples. Configurable via DIP switch or software. Push-in connection technology, standard configuration

---

Thermocouple measuring transducer - MINI MCR-2-TC-UI - 2902055



Configurable temperature transducer with plug-in connection technology for connecting thermocouples. Configurable via DIP switch or software. Screw connection technology, standard configuration

---

Thermocouple measuring transducer - MINI MCR-2-TC-UI-PT-C - 2905248



Configurable temperature transducer with plug-in connection technology for connecting thermocouples. Configurable via DIP switch or software. Push-in connection technology, order configuration

---

Thermocouple measuring transducer - MINI MCR-2-TC-UI-C - 2902053



Configurable temperature transducer with plug-in connection technology for connecting thermocouples. Configurable via DIP switch or software. Screw connection technology, order configuration

---

### Terminal marking

Marker strip - SK 5,0 WH:REEL - 0805221



Marker strip, Roll, white, unlabeled, can be labeled with: THERMOMARK ROLL 2.0, THERMOMARK ROLL, THERMOMARK ROLL X1, THERMOMARK ROLLMASTER 300/600, THERMOMARK X1.2, mounting type: adhesive, for terminal block width: 5 mm, lettering field size: continuous x 5#mm, Number of individual labels: 90000

---

### Threshold value switch

## Communication module - MINI MCR-2-V8-MOD-RTU - 2905634

### Accessories

#### Limit value switches - MINI MCR-2-T-REL-PT - 2905633



Universally configurable temperature limit value switch with N/O relay output for the connection of 2, 3, and 4-conductor resistance thermometers and thermocouples. Configurable via DIP switch or software. Push-in connection technology

---

#### Limit value switches - MINI MCR-2-T-REL - 2905632



Universally configurable temperature limit value switch with N/O relay output for the connection of 2, 3, and 4-conductor resistance thermometers and thermocouples. Configurable via DIP switch or software, screw connection technology

---

---

Phoenix Contact 2020 © - all rights reserved  
<http://www.phoenixcontact.com>

PHOENIX CONTACT GmbH & Co. KG  
Flachsmarktstr. 8  
32825 Blomberg  
Germany  
Tel. +49 5235 300  
Fax +49 5235 3 41200  
<http://www.phoenixcontact.com>

## X-ON Electronics

Largest Supplier of Electrical and Electronic Components

*Click to view similar products for [Terminal Block Tools & Accessories](#) category:*

*Click to view products by [Phoenix Contact](#) manufacturer:*

Other Similar products are found below :

[00171430102](#) [00171420102](#) [600HL](#) [600RJ-07](#) [600RJ-11](#) [600RJ-14](#) [600RJS-10](#) [600RJS-12](#) [600RJS-15](#) [600RJS-21](#) [601RJ-09](#) [602SP](#) [602Z](#)  
[604J](#) [CSTSPC1-2](#) [7B941-7](#) [88943-2100](#) [QC102](#) [1437403-6](#) [1437403-9](#) [1437403-8](#) [1453128-1](#) [147832-1](#) [EC0037-000](#) [MT2/H--](#) [MT6/H-N](#)  
[MT6/V-GRND](#) [MT8/H-51-60](#) [BC2-12](#) [BCC-1-8/10](#) [EP2.5/4UN/BG](#) [1707755](#) [1735590](#) [1755480](#) [1789281](#) [1840227](#) [1840230](#) [2-1437402-1](#)  
[JA2-03](#) [JB1-03/J](#) [JB2-04](#) [JB2-05](#) [JB2-07](#) [JB2-09/J](#) [PARALLELJUMPERLINK](#) [JS601](#) [2204082](#) [2302463](#) [2305949](#) [8PCV-BUSHING](#)