

Interface module - UM-D37M/DS/FU/LED/AID16/C300/L - 2905653

Please be informed that the data shown in this PDF Document is generated from our Online Catalog. Please find the complete data in the user's documentation. Our General Terms of Use for Downloads are valid (<http://phoenixcontact.com/download>)




VARIOFACE module intended for use with Honeywell Experion C300 16-channel analog input cards. Channels 1 to 16 feature differential inputs.

Your advantages

- These VARIOFACE modules are used in combination with the relevant front adapters
- UM-PRO housing
- DIN rail mounting, includes grounding foot
- LED blown fusing indication
- Per channel shield connection
- Per channel disconnects with test points



Key Commercial Data

Packing unit	1 pc
GTIN	 4 055626 002972
GTIN	4055626002972

Technical data

Dimensions

Width	184 mm
Height	142.3 mm
Depth	65.6 mm

Ambient conditions

Ambient temperature (operation)	-40 °C ... 60 °C
Ambient temperature (storage/transport)	-40 °C ... 75 °C

General

Nominal voltage U_N	24 V DC
Max. perm. current (per branch)	500 mA (fuse limited)
Number of positions	37

Interface module - UM-D37M/DS/FU/LED/AID16/C300/L - 2905653

Technical data

General

Mounting position	any
Assembly instructions	In rows with zero spacing

Connection data

Connection name	Field level
Connection method	Screw connection with disconnect knife
Stripping length	8 mm
Screw thread	M 3
Conductor cross section solid	0.2 mm ² ... 4 mm ²
Conductor cross section flexible	0.2 mm ² ... 2.5 mm ²
Conductor cross section AWG	24 ... 12

Connection data 2

Connection name	Controller level
Connection method	D-SUB pin strip
Number of connections	1
Number of positions	37

Connection data 3

Connection method	D-SUB pin strip
Number of connections	1
Number of positions	25

Supported controller

Controller	HONEYWELL Experion PKS C300/C-Series
- suitable I/O card	TAID01 (non-redundant)
	TAID11 (redundant)
Controller	Honeywell Experion LX Series 8
- suitable I/O card	8X-TAIDA1
	8X-TAIDB1

Standards and Regulations

Standards/regulations	DIN EN 50178
-----------------------	--------------

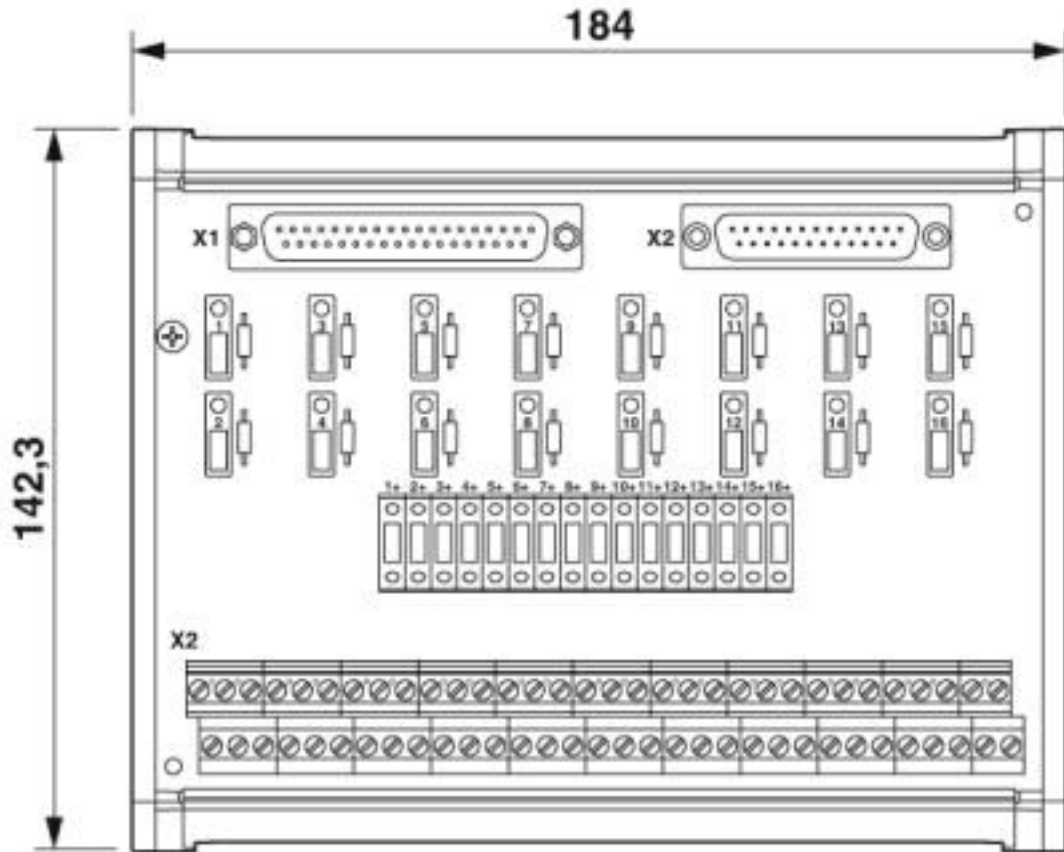
Environmental Product Compliance

REACH SVHC	Lead 7439-92-1
China RoHS	Environmentally Friendly Use Period = 50 years
	For details about hazardous substances go to tab "Downloads", Category "Manufacturer's declaration"

Drawings

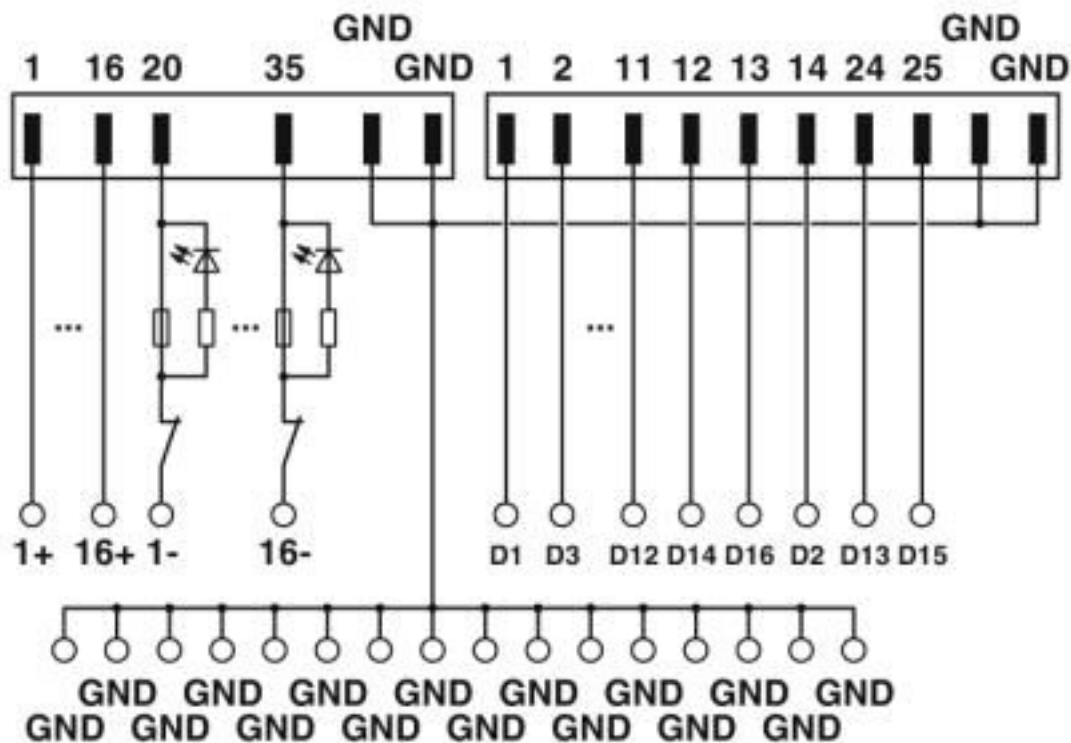
Interface module - UM-D37M/DS/FU/LED/AID16/C300/L - 2905653

Dimensional drawing



Interface module - UM-D37M/DS/FU/LED/AID16/C300/L - 2905653

Circuit diagram



Classifications

eCl@ss

eCl@ss 10.0.1	27141152
eCl@ss 4.0	27250300
eCl@ss 4.1	27250300
eCl@ss 5.0	27250300
eCl@ss 5.1	27250300
eCl@ss 6.0	27242600
eCl@ss 7.0	27141152
eCl@ss 8.0	27141152
eCl@ss 9.0	27141152

ETIM

ETIM 4.0	EC002780
ETIM 5.0	EC002780
ETIM 6.0	EC002780
ETIM 7.0	EC002780

UNSPSC

UNSPSC 13.2	39121432
UNSPSC 18.0	39121432

Interface module - UM-D37M/DS/FU/LED/AID16/C300/L - 2905653

Classifications

UNSPSC

UNSPSC 19.0	39121432
UNSPSC 20.0	39121432
UNSPSC 21.0	39121432

Approvals

Approvals

Approvals

UL Recognized / cUL Recognized / cULus Recognized

Ex Approvals

Approval details

UL Recognized		http://database.ul.com/cgi-bin/XYV/template/LISEXT/1FRAME/index.htm	FILE E 238705
---------------	--	---	---------------

cUL Recognized		http://database.ul.com/cgi-bin/XYV/template/LISEXT/1FRAME/index.htm	FILE E 238705
----------------	--	---	---------------

cULus Recognized			
------------------	--	--	--

Accessories

Accessories

System cable

Cable - CABLE-D37SUB/B/B/ 100/KONFEK/S - 2305509



Assembled shielded round cable; connection 1: D-SUB socket strip (1x 37-position); connection 2: D-SUB socket strip (1x 37-position); cable length: 1 m

Interface module - UM-D37M/DS/FU/LED/AID16/C300/L - 2905653

Accessories

Cable - CABLE-D37SUB/B/B/ 200/KONFEK/S - 2305512



Assembled shielded round cable; connection 1: D-SUB socket strip (1x 37-position); connection 2: D-SUB socket strip (1x 37-position); cable length: 2 m

Cable - CABLE-D37SUB/B/B/ 300/KONFEK/S - 2305525



Assembled shielded round cable; connection 1: D-SUB socket strip (1x 37-position); connection 2: D-SUB socket strip (1x 37-position); cable length: 3 m

Cable - CABLE-D37SUB/B/B/ 400/KONFEK/S - 2900759



Assembled shielded round cable; connection 1: D-SUB socket strip (1x 37-position); connection 2: D-SUB socket strip (1x 37-position); cable length: 4 m

Cable - CABLE-D37SUB/B/B/ 600/KONFEK/S - 2900760



Assembled shielded round cable; connection 1: D-SUB socket strip (1x 37-position); connection 2: D-SUB socket strip (1x 37-position); cable length: 6 m

Cable - CABLE-D37SUB/B/B/ 800/KONFEK/S - 2900761



Assembled shielded round cable; connection 1: D-SUB socket strip (1x 37-position); connection 2: D-SUB socket strip (1x 37-position); cable length: 8 m

Interface module - UM-D37M/DS/FU/LED/AID16/C300/L - 2905653

Accessories

Cable - CABLE-D37SUB/B/B/1000/KONFEK/S - 2900762



Assembled shielded round cable; connection 1: D-SUB socket strip (1x 37-position); connection 2: D-SUB socket strip (1x 37-position); cable length: 10 m

Cable - CABLE-D37SUB/B/B/1500/KONFEK/S - 2900763



Assembled shielded round cable; connection 1: D-SUB socket strip (1x 37-position); connection 2: D-SUB socket strip (1x 37-position); cable length: 15 m

Cable - CABLE-D37SUB/B/B/2000/KONFEK/S - 2900764



Assembled shielded round cable; connection 1: D-SUB socket strip (1x 37-position); connection 2: D-SUB socket strip (1x 37-position); cable length: 20 m

Cable - CABLE-D25SUB/B/B/100/KONFEK/S - 2305473



Assembled shielded round cable; connection 1: D-SUB socket strip (1x 25-position); connection 2: D-SUB socket strip (1x 25-position); cable length: 1 m

Cable - CABLE-D25SUB/B/B/200/KONFEK/S - 2305486



Assembled shielded round cable; connection 1: D-SUB socket strip (1x 25-position); connection 2: D-SUB socket strip (1x 25-position); cable length: 2 m

Interface module - UM-D37M/DS/FU/LED/AID16/C300/L - 2905653

Accessories

Cable - CABLE-D25SUB/B/B/300/KONFEK/S - 2305499



Assembled shielded round cable; connection 1: D-SUB socket strip (1x 25-position); connection 2: D-SUB socket strip (1x 25-position); cable length: 3 m

Necessary add-on products

Front adapters - FLKM-PA-D37/HW/AN/C300 - 2900622



VARIOFACE front adapters, for Honeywell C300, series C I/O, max. 1 x 16 channels (37-pos. D-SUB connector) can be connected

Front adapters - FLKM-PA-D25/HW/AID16/C300 - 2905198



VARIOFACE front adapter, for Honeywell C300, series I/O, includes 16 differential signals (D1-D16) and 25-pos. D-SUB connector

Spare parts

Fuse set - FUSE/TE5/500MA/F-10PCS - 2905276



Plug-in fuse (TE5[®]); nominal current: 500 mA; tripping behavior: fast-blow (F)

X-ON Electronics

Largest Supplier of Electrical and Electronic Components

Click to view similar products for [Terminal Block Interface Modules](#) category:

Click to view products by [Phoenix Contact](#) manufacturer:

Other Similar products are found below :

[73-551-6002I](#) [GCN1MX25B](#) [DIN-50P-01](#) [DIN-68H-01](#) [DIN-96DI-01](#) [2291901](#) [2295185](#) [2907794](#) [2M10FCL](#) [FLKM-2I/O](#) [FLKM-4I/O](#)
[2281759](#) [2906251](#) [2907808](#) [5601749](#) [5541962](#) [1776613-1](#) [GCN1-004A](#) [ADAM-3920R-AE](#) [060-6827-06](#) [2311030](#) [2287708](#) [XW2C-20G6-](#)
[IO16](#) [GCN1-T](#) [MACX](#) [MCR-VAC](#) [5775235](#) [ADAM-3956-BE](#) [XW6T-COM2.5X20YL](#) [XW6T-COM1.5X8BL](#) [XW6T-COM1.5X16BL](#)
[XW6T-COM1.5X20YL](#) [XW6T-COM1.5X16YL](#) [XW6T-COM1.5X20RD](#) [XW6T-COM1.5X20BL](#) [XW6T-COM2.5X8BL](#) [1976610000](#) [UM](#)
[45-D50SUB/B/ZFKDS](#) [5541234](#) [410-261](#) [2906243](#) [2906915](#) [2907706](#) [ADAM-3909-AE](#) [ADAM-3920-AE](#) [ADAM-3925-AE](#) [ADAM-3937-](#)
[BE](#) [ADAM-3950-AE](#) [ADAM-3951-BE](#) [ADAM-3968-AE](#) [ADAM-3968/50-AE](#)