

Combination type 1/2 protective device - FLT-SEC-H-T1-3C-264/25-FM - 2905871

Please be informed that the data shown in this PDF Document is generated from our Online Catalog. Please find the complete data in the user's documentation. Our General Terms of Use for Downloads are valid (<http://phoenixcontact.com/download>)



Plug-in lightning current arrester, in accordance with Type 1/Class I, with integrated surge-proof fuse, for 3-phase power supply networks with combined PE and N installed in one conductor (L1, L2, L3, PEN).

Your advantages

- ✓ Integrated combination of spark gap without line follow current and surge-proof fuse
- ✓ Can be used without separate backup fuse thanks to integrated overcurrent protection
- ✓ Free of leakage current, suitable for use in the pre-meter area
- ✓ Can be inserted with innovative push-pull locking mechanism
- ✓ Low voltage protection level of 1.5 kV
- ✓ Optical, mechanical status indicator
- ✓ With floating remote indication contact



Key Commercial Data

| | |
|--------------|---------------|
| Packing unit | 1 pc |
| GTIN | |
| GTIN | 4055626003825 |

Technical data

Dimensions

| | |
|------------------|---------------------------------|
| Height | 167 mm |
| Width | 106.8 mm |
| Depth | 74.5 mm (incl. DIN rail 7.5 mm) |
| Horizontal pitch | 6 Div. |

Ambient conditions

| | |
|---|---|
| Degree of protection | IP20 (only when all terminal points are used) |
| Ambient temperature (operation) | -40 °C ... 80 °C |
| Ambient temperature (storage/transport) | -40 °C ... 80 °C |

Combination type 1/2 protective device - FLT-SEC-H-T1-3C-264/25-FM - 2905871

Technical data

Ambient conditions

| | |
|----------------------------------|--|
| Altitude | ≤ 4000 m (amsl (above mean sea level)) |
| Permissible humidity (operation) | 5 % ... 95 % |

General

| | |
|--|---|
| IEC test classification | I / II |
| | I |
| | T1 / T2 |
| | T1 |
| EN type | T1 / T2 |
| | T1 |
| IEC power supply system | TN-C |
| | TT |
| Mode of protection | L-PEN |
| Mounting type | DIN rail: 35 mm |
| Color | light grey RAL 7035 |
| | traffic grey A RAL 7042 |
| Housing material | PA 6.6-FR 20 % GF |
| | PBT-FR |
| Degree of pollution | 2 |
| Distance between live and grounded parts | 1 mm |
| Flammability rating according to UL 94 | V-0 |
| Type | DIN rail module, two-section, divisible |
| Number of positions | 3 |
| Surge protection fault message | Optical, remote indicator contact |

Protective circuit

| | |
|--|----------------------|
| Nominal voltage U_N | 240/415 V AC (TN-C) |
| Nominal frequency f_N | 50 Hz (60 Hz) |
| Maximum continuous voltage U_C | 264 V AC |
| Nominal discharge current I_n (8/20) μ s | 25 kA |
| Maximum discharge current I_{max} (8/20) μ s | 50 kA |
| Impulse discharge current (10/350) μ s, charge | 12.5 As |
| Impulse discharge current (10/350) μ s, specific energy | 160 kJ/ Ω |
| Impulse discharge current (10/350) μ s, peak value I_{imp} | 25 kA |
| Total discharge current I_{total} (10/350) μ s | 75 kA |
| Follow current interrupt rating I_{fi} | 50 kA |
| Short-circuit current rating I_{SCCR} | 50 kA |
| Voltage protection level U_p | ≤ 1.5 kV |
| Residual voltage U_{res} | ≤ 1.5 kV (at I_n) |
| | ≤ 2.5 kV (at 50 kA) |

Combination type 1/2 protective device - FLT-SEC-H-T1-3C-264/25-FM - 2905871

Technical data

Protective circuit

| | |
|---|-------------------------------------|
| | ≤ 1.2 kV (at 12.5 kA) |
| | ≤ 1 kV (at 5 kA) |
| | ≤ 0.9 kV (at 2.5 kA) |
| Front of wave sparkover voltage at 6 kV (1.2/50) μs | ≤ 1.5 kV |
| TOV behavior at U _T | 415 V AC (5 s / withstand mode) |
| | 460 V AC (120 min / withstand mode) |
| Response time t _A | ≤ 100 ns |

Additional technical data

| | |
|--|---------------------------|
| Follow current interrupt rating I _{fi} | 100 kA |
| Short-circuit current rating I _{SCCR} | 100 kA |
| Maximum discharge current I _{max} (8/20) μs | 100 kA (AS/NZS 1768:2007) |
| Maximum continuous voltage U _C | 275 V AC |

Indicator/remote signaling

| | |
|----------------------------------|--|
| Switching function | PDT contact |
| Operating voltage | 12 V AC ... 250 V AC |
| | 125 V DC (200 mA DC) |
| Operating current | 10 mA AC ... 1 A AC |
| | 1 A DC (30 V DC) |
| Connection method | Plug-in/screw connection via COMBICON |
| Screw thread | M2 |
| Tightening torque | 0.25 Nm |
| Stripping length | 7 mm |
| Conductor cross section flexible | 0.14 mm ² ... 1.5 mm ² |
| Conductor cross section solid | 0.14 mm ² ... 1.5 mm ² |
| Conductor cross section AWG | 28 ... 16 |

Connection data

| | |
|----------------------------------|--|
| Connection method | Screw connection |
| Screw thread | M5 |
| Tightening torque | 4.5 Nm |
| Stripping length | 18 mm |
| Conductor cross section flexible | 2.5 mm ² ... 35 mm ² |
| Conductor cross section solid | 2.5 mm ² ... 35 mm ² |
| Conductor cross section AWG | 13 ... 2 |
| Connection method | Fork-type cable lug |
| Conductor cross section flexible | 1.5 mm ² ... 16 mm ² |

Standards and Regulations

| | |
|-----------------------|-------------------|
| Standards/regulations | IEC 61643-11 2011 |
|-----------------------|-------------------|

Combination type 1/2 protective device - FLT-SEC-H-T1-3C-264/25-FM - 2905871

Technical data

Standards and Regulations

| | |
|--|------------------|
| | EN 61643-11 2012 |
|--|------------------|

Environmental Product Compliance

| | |
|------------|---|
| REACH SVHC | Lead 7439-92-1 |
| China RoHS | Environmentally Friendly Use Period = 50 years |
| | For details about hazardous substances go to tab "Downloads", Category "Manufacturer's declaration" |

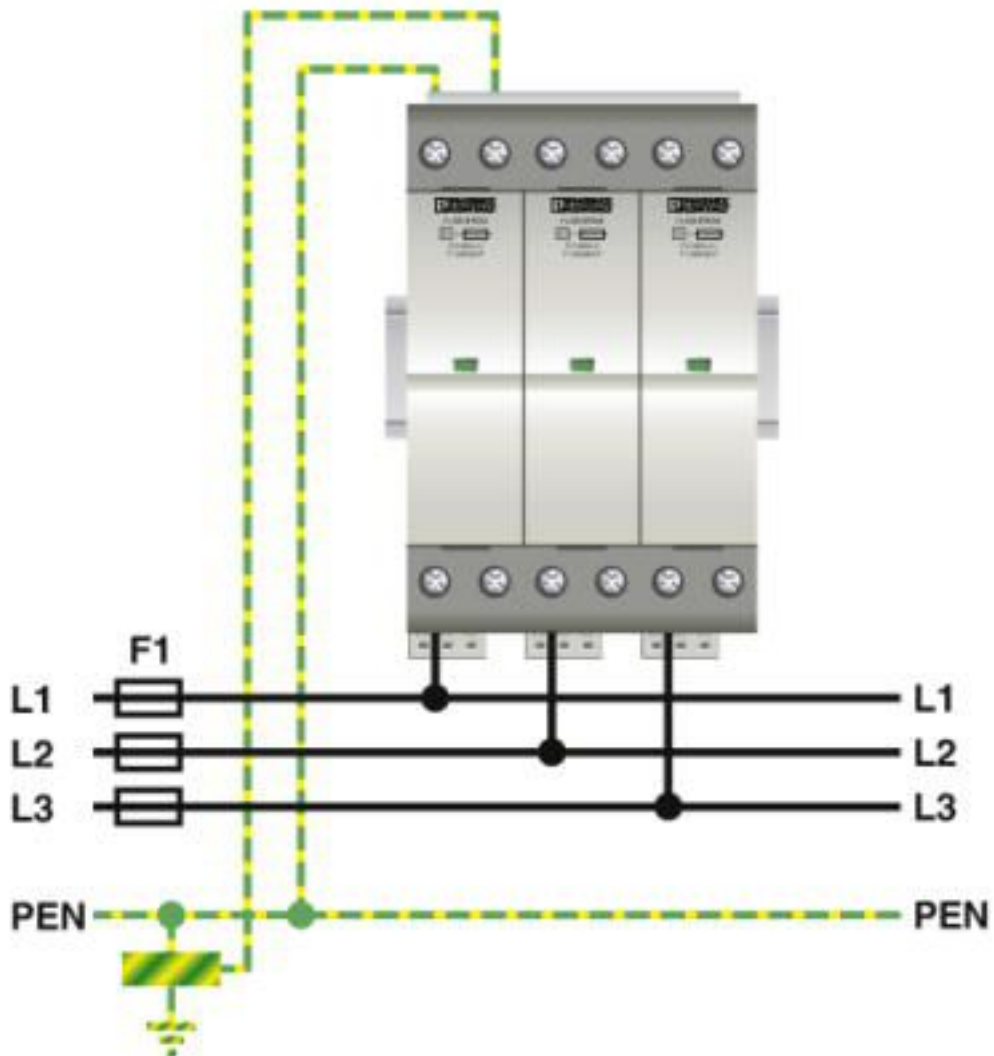
Drawings

Product drawing



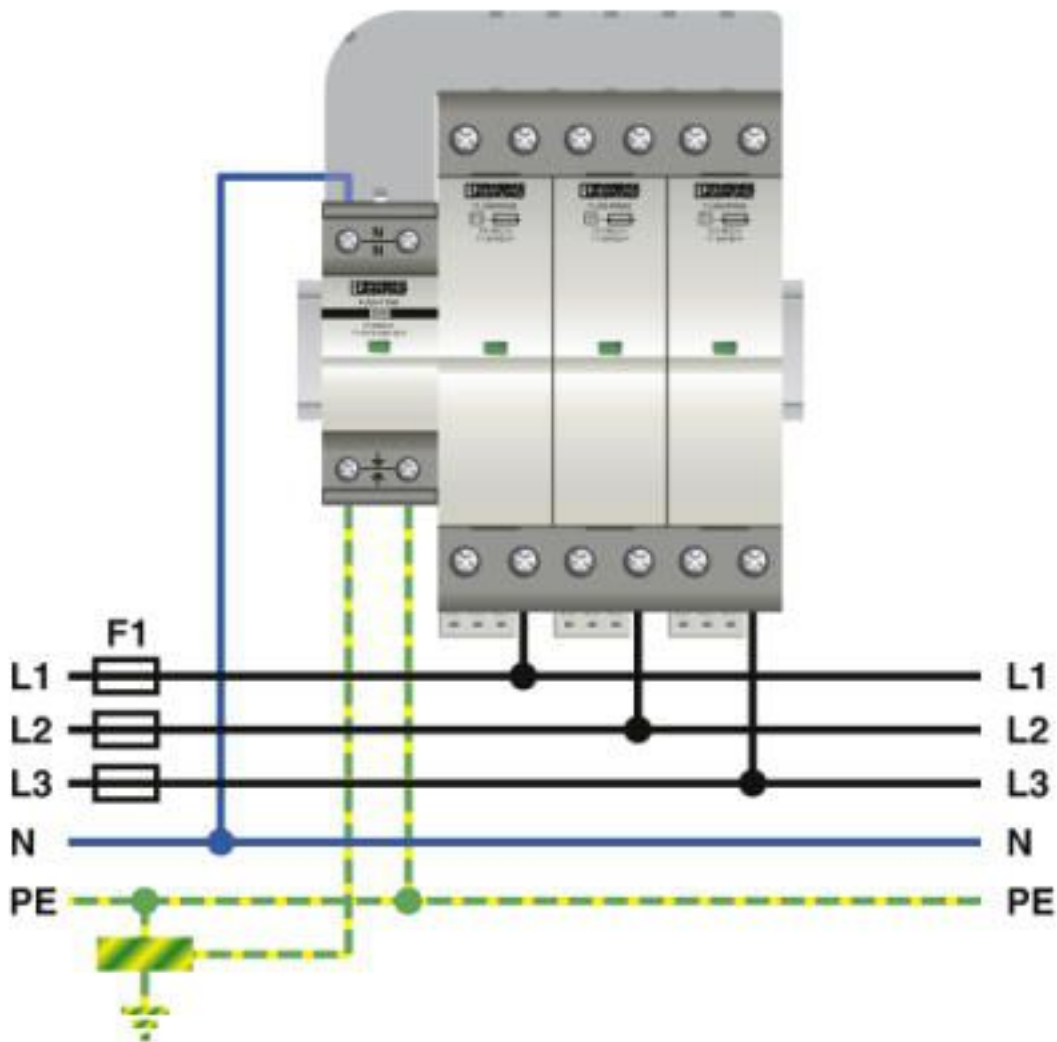
Combination type 1/2 protective device - FLT-SEC-H-T1-3C-264/25-FM - 2905871

Application drawing



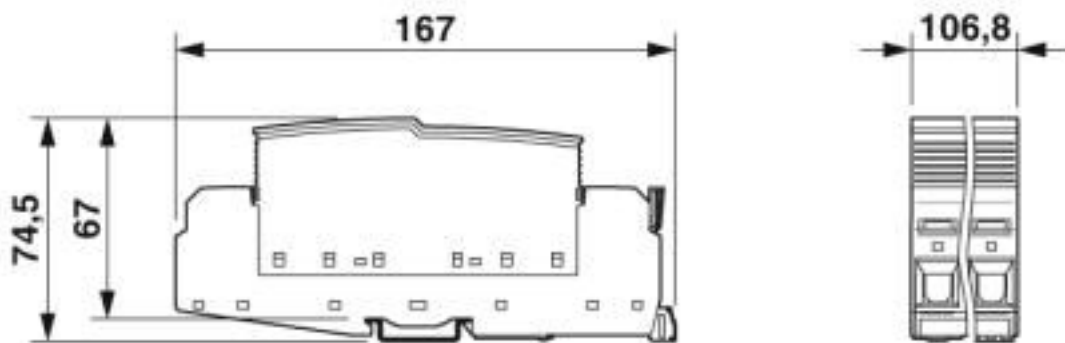
Combination type 1/2 protective device - FLT-SEC-H-T1-3C-264/25-FM - 2905871

Application drawing



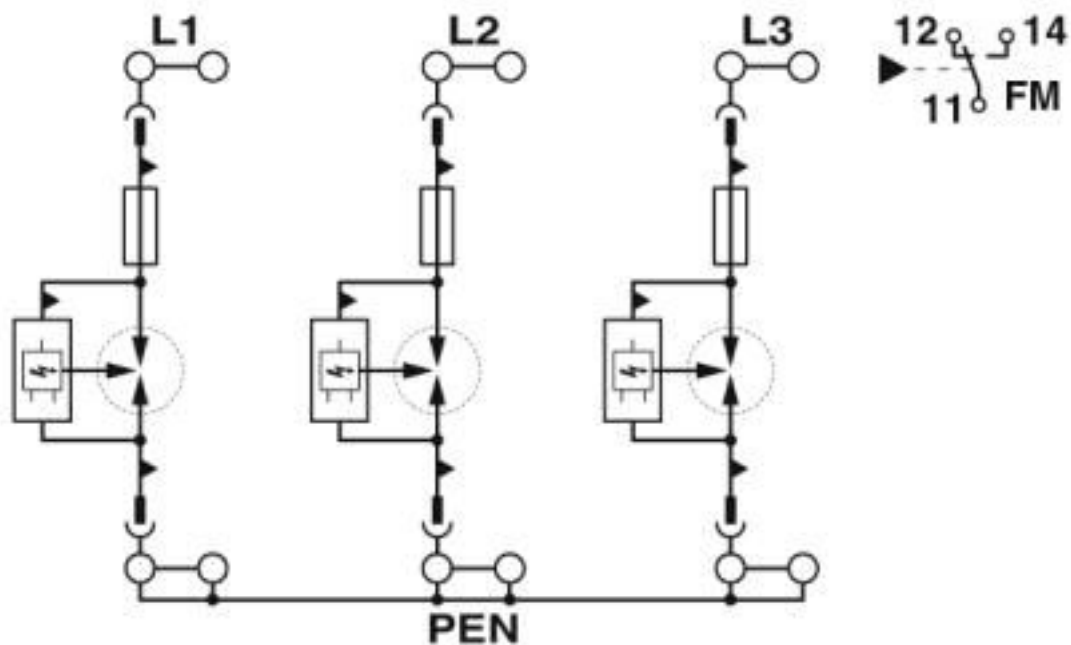
Structure of a 3+1 circuit for TN-S/-TT systems with an N/PE spark gap and wiring bridge.

Dimensional drawing



Combination type 1/2 protective device - FLT-SEC-H-T1-3C-264/25-FM - 2905871

Circuit diagram



Classifications

eCl@ss

| | |
|---------------|----------|
| eCl@ss 10.0.1 | 27130802 |
| eCl@ss 4.0 | 27130800 |
| eCl@ss 4.1 | 27130800 |
| eCl@ss 5.0 | 27130800 |
| eCl@ss 5.1 | 27130800 |
| eCl@ss 6.0 | 27130800 |
| eCl@ss 7.0 | 27130802 |
| eCl@ss 8.0 | 27130802 |
| eCl@ss 9.0 | 27130802 |

ETIM

| | |
|----------|----------|
| ETIM 4.0 | EC000381 |
| ETIM 5.0 | EC000381 |
| ETIM 6.0 | EC000381 |
| ETIM 7.0 | EC000381 |

UNSPSC

| | |
|-------------|----------|
| UNSPSC 13.2 | 39121620 |
| UNSPSC 18.0 | 39121620 |
| UNSPSC 19.0 | 39121620 |

Combination type 1/2 protective device - FLT-SEC-H-T1-3C-264/25-FM - 2905871

Classifications

UNSPSC

| | |
|-------------|----------|
| UNSPSC 20.0 | 39121620 |
| UNSPSC 21.0 | 39121620 |

Approvals

Approvals

Approvals

CCA / KEMA-KEUR / IECEE CB Scheme / EAC

Ex Approvals

Approval details

| | |
|-----|-------------|
| CCA | NTR-NL 7417 |
|-----|-------------|

| | | | |
|-----------|--|---|------------|
| KEMA-KEUR | | http://www.dekra-certification.com | 2175106.01 |
|-----------|--|---|------------|

| | | | |
|-----------------|--|---|----------|
| IECEE CB Scheme | | http://www.iecee.org/ | NL-36550 |
|-----------------|--|---|----------|

| | | |
|-----|--|---------------------|
| EAC | | RU C-DE.*09.B.00169 |
|-----|--|---------------------|

Accessories

Accessories

Bridge

Wiring bridge - FLT-SEC-H MPB-3+1 - 2910501

Wiring bridge for connecting three FLASHTRAB SEC HYBRID lightning arresters with an N/PE spark gap to a 3+1 circuit for TN-S-/TT systems. Connecting pitch of 17.5 mm, 1-phase, 8-pos., 35 mm² cross section with stable plastic housing for the required touch proofness when used as neutral conductor bridge.



Combination type 1/2 protective device - FLT-SEC-H-T1-3C-264/25-FM - 2905871

Accessories

Wiring bridge - MPB 18/1-8/35 - 2908704



Wiring bridge for modules with 17.5 mm connecting pitch, 1-phase, 8-pos., 35 mm² cross section, and mounted end caps

Wiring bridge - MPB 18/1-6/35 - 2908705



Wiring bridge for modules with 17.5 mm connecting pitch, 1-phase, 6-pos., 35 mm² cross section, and mounted end caps

Device marking

Label - EML (20XE)R - 0803452



Label, Roll, white, unlabeled, can be labeled with: THERMOMARK ROLLMASTER 300/600, THERMOMARK X1.2, THERMOMARK ROLL X1, THERMOMARK ROLL 2.0, THERMOMARK ROLL, mounting type: adhesive, lettering field size: continuous x 20#mm

Label - EML (20XE)R YE - 0803453



Label, Roll, yellow, unlabeled, can be labeled with: THERMOMARK ROLLMASTER 300/600, THERMOMARK X1.2, THERMOMARK ROLL X1, THERMOMARK ROLL 2.0, THERMOMARK ROLL, mounting type: adhesive, lettering field size: continuous x 20#mm

End block

End clamp - CLIPFIX 35 - 3022218



Quick mounting end clamp for NS 35/7,5 DIN rail or NS 35/15 DIN rail, with marking option, width: 9.5 mm, color: gray

Marker pen

Combination type 1/2 protective device - FLT-SEC-H-T1-3C-264/25-FM - 2905871

Accessories

Marker pen - X-PEN 0,35 - 0811228



Marker pen without ink cartridge, for manual labeling of markers, labeling extremely wipe-proof, line thickness 0.35 mm

Spare parts

Type 1 surge protection plug - FLT-SEC-H-T1-264/25-P - 2905968



Replacement plug for lightning current arresters from the FLASHTRAB SEC HYBRID 264 product range, for L-N and L-PEN paths.

Phoenix Contact 2020 © - all rights reserved
<http://www.phoenixcontact.com>

PHOENIX CONTACT GmbH & Co. KG
Flachsmarktstr. 8
32825 Blomberg
Germany
Tel. +49 5235 300
Fax +49 5235 3 41200
<http://www.phoenixcontact.com>

X-ON Electronics

Largest Supplier of Electrical and Electronic Components

Click to view similar products for [Surge Suppressors](#) category:

Click to view products by [Phoenix Contact](#) manufacturer:

Other Similar products are found below :

[GUS1](#) [GUS12](#) [BSPM1A600D600LVR](#) [2800521](#) [29-2053](#) [GUS11](#) [GUS2](#) [GUS3](#) [GUS4](#) [30460](#) [SRA64C060X](#) [PC642C015](#) [1810-15-A3](#)
[2713175](#) [4B06B-EC1-150LF](#) [SRA6LC](#) [BPMA75D100LV](#) [CX06M](#) [CCTV1](#) [GUS13](#) [GUS14](#) [GUS5](#) [GUS6](#) [VAL-MS 320/3+0-FM](#) [VAL-US-](#)
[120/40/1+1-FM](#) [VAL-US-120/65/1+1-FM](#) [VAL-US-480D/30/3+0-FM](#) [VAL-US-120/40/1+0-FM](#) [STCHSP121BT1RU](#) [LP-BFDN-CW](#) [LP-](#)
[STRL-NFF](#) [LP-STRL-DFE](#) [GUS22](#) [0804111](#) [5053609](#) [5053201](#) [SPD2-150-1P0](#) [SPD2-550-1P0](#) [6720005416](#) [6720005417](#) [1-2191595-2](#)
[STC-CAT6-P0E-I](#) [SPD2-350-1P0](#) [FLT-CP-350-ST](#) [TTC-6P-3-HF-F-M-12DC-UT-I](#) [SMTPA200](#) [2800989](#) [2906776](#) [2906810](#) [2906847](#)