

Type 2 surge arrester - PRT-1S-350/20/R - 2905977

Please be informed that the data shown in this PDF Document is generated from our Online Catalog. Please find the complete data in the user's documentation. Our General Terms of Use for Downloads are valid (<http://phoenixcontact.com/download>)




Surge protective device for space-saving PCB installation, in accordance with Type 2 / CLASS II, for single-phase TN and TT power supply systems.

Your advantages

- ✓ Small-scale onboard surge protector
- ✓ Reliable remote signaling alarm contact function
- ✓ Conformance with current standards

Key Commercial Data

| | |
|------------------------|---|
| Packing unit | 20 pc |
| Minimum order quantity | 20 pc |
| GTIN |  4 055626 287607 |
| GTIN | 4055626287607 |

Technical data

Dimensions

| | |
|--------|---------|
| Height | 41 mm |
| Width | 38.4 mm |
| Depth | 22.4 mm |

Ambient conditions

| | |
|---|---|
| Ambient temperature (operation) | -40 °C ... 85 °C |
| Ambient temperature (storage/transport) | -40 °C ... 85 °C |
| Altitude | ≤ 2000 m (amsl (above mean sea level)) |
| Permissible humidity (operation) | 5 % ... 95 % |
| Shock (operation) | 25g (Half-sine / 11 ms / 3x ±X, ±Y, ±Z) |
| Vibration (operation) | 5g (5 ... 500 Hz / 2.5 h / X, Y, Z) |

General

Type 2 surge arrester - PRT-1S-350/20/R - 2905977

Technical data

General

| | |
|--|-----------------------------|
| IEC test classification | II |
| | T2 |
| EN type | T2 |
| IEC power supply system | TN-S |
| | TT |
| Mode of protection | L-N |
| | L-PE |
| | N-PE |
| Mounting type | PCB mounting |
| Color | light grey RAL 7035 |
| Housing material | PA 6.6 |
| Degree of pollution | 2 |
| Flammability rating according to UL 94 | V-0 |
| Type | PCB onboard surge protector |
| Surge protection fault message | Remote indication contact |

Protective circuit

| | |
|--|--|
| Nominal voltage U_N | 230 V AC (TN) |
| | 230 V AC (TT) |
| Nominal frequency f_N | 50 Hz (60 Hz) |
| Maximum continuous voltage U_C | 350 V AC |
| Residual current I_{PE} | $\leq 50 \mu A$ |
| Standby power consumption P_C | $\leq 20 \text{ mVA}$ |
| Nominal discharge current I_n (8/20) μs | 20 kA |
| Short-circuit current rating I_{SCCR} | 1 kA |
| Voltage protection level U_p (L-N) | $\leq 2.5 \text{ kV}$ |
| Voltage protection level U_p (L-PE) | $\leq 1.8 \text{ kV}$ |
| Voltage protection level U_p (N-PE) | $\leq 1.8 \text{ kV}$ |
| TOV behavior at U_T (L-N) | 336 V AC (5 s / withstand mode) |
| | 440 V AC (120 min / withstand mode) |
| TOV behavior at U_T (N-PE) | 1200 V AC (200 ms / safe failure mode) |
| Response time t_A (L-N) | $\leq 25 \text{ ns}$ |
| Response time t_A (L-PE) | $\leq 100 \text{ ns}$ |
| Response time t_A (N-PE) | $\leq 100 \text{ ns}$ |
| Max. backup fuse with branch wiring | 63 A (MCB C) |

Indicator/remote signaling

| | |
|--------------------|---------------------|
| Switching function | N/C contact |
| Operating voltage | 5 V AC ... 250 V AC |
| | 125 V AC (UL) |
| | 30 V DC |

Type 2 surge arrester - PRT-1S-350/20/R - 2905977

Technical data

Indicator/remote signaling

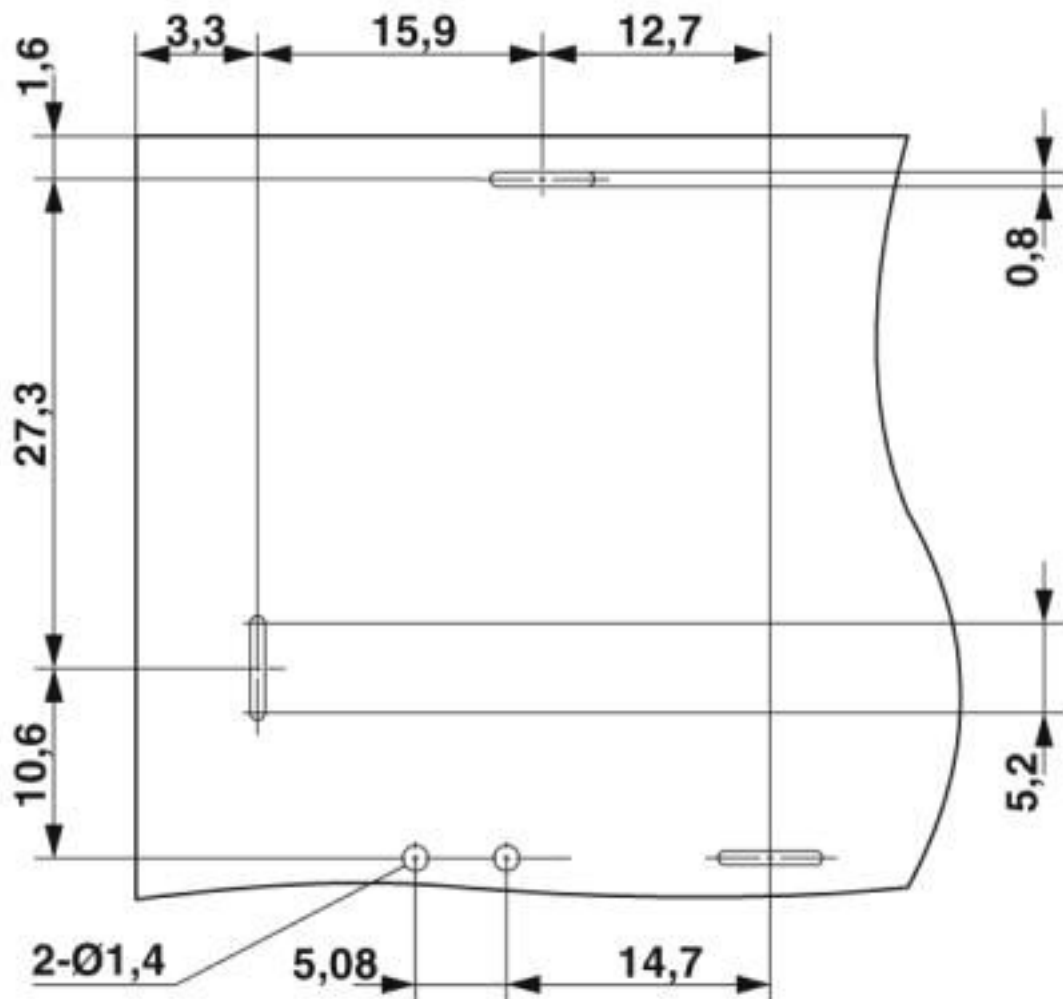
| | |
|-------------------|--------------------|
| Operating current | 5 mA AC ... 1 A AC |
| | 1 A AC (UL) |
| | 1 A DC |

Standards and Regulations

| | |
|-----------------------|-------------------|
| Standards/regulations | IEC 61643-11 2011 |
| | EN 61643-11 2012 |

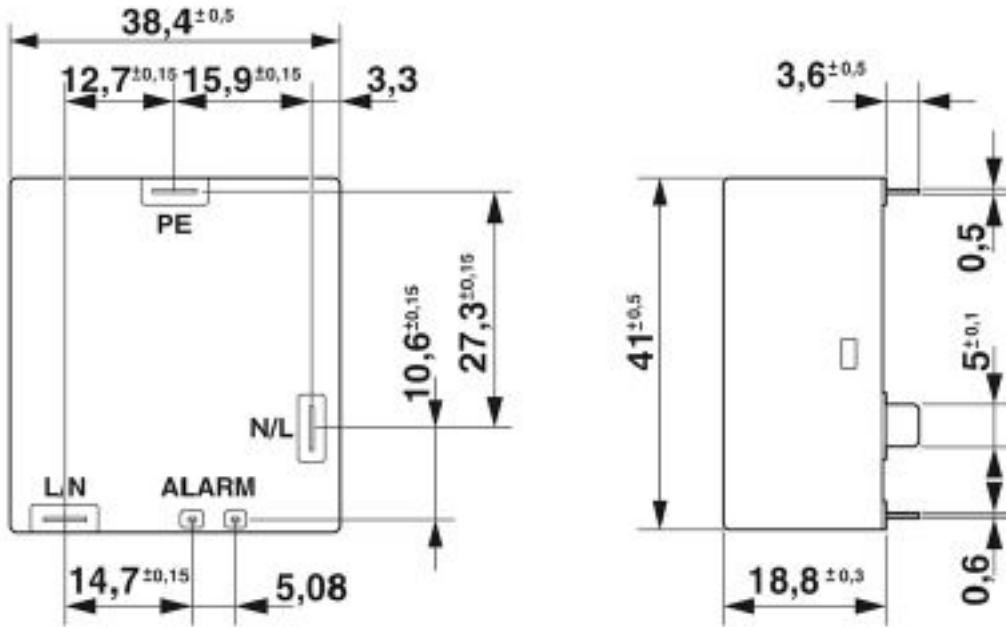
Drawings

Drilling diagram



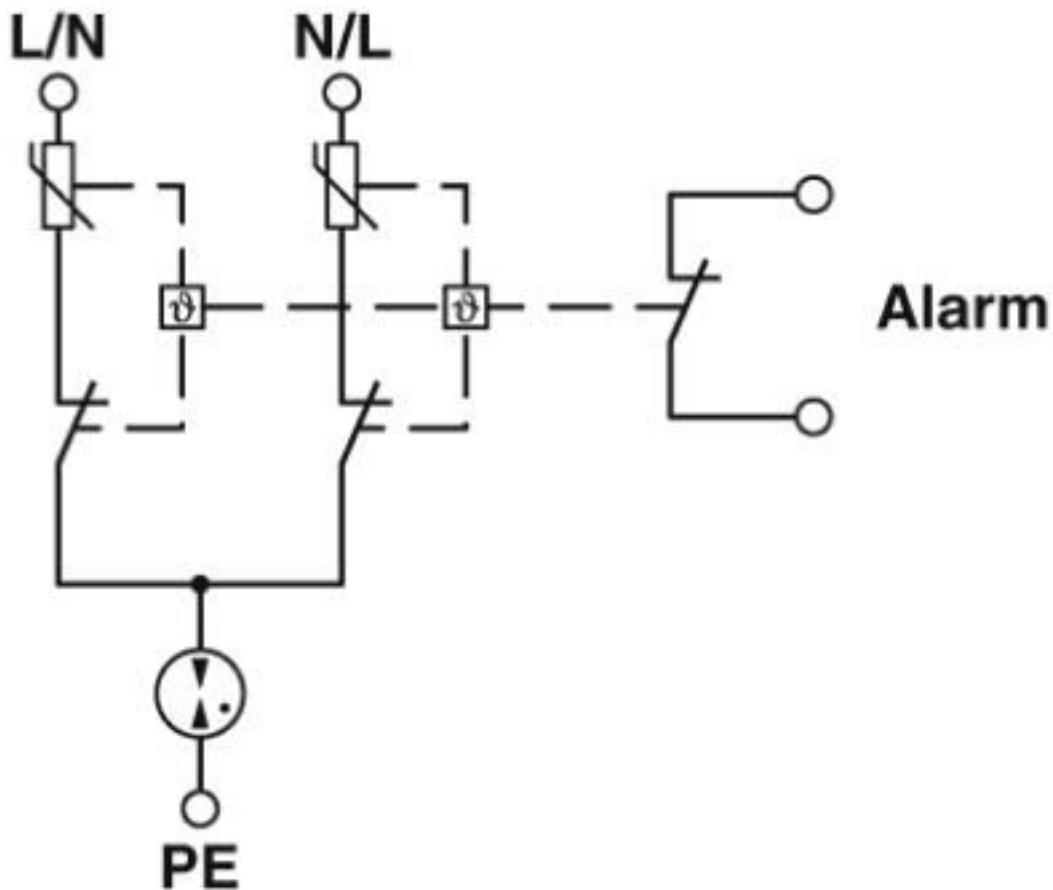
Type 2 surge arrester - PRT-1S-350/20/R - 2905977

Dimensional drawing



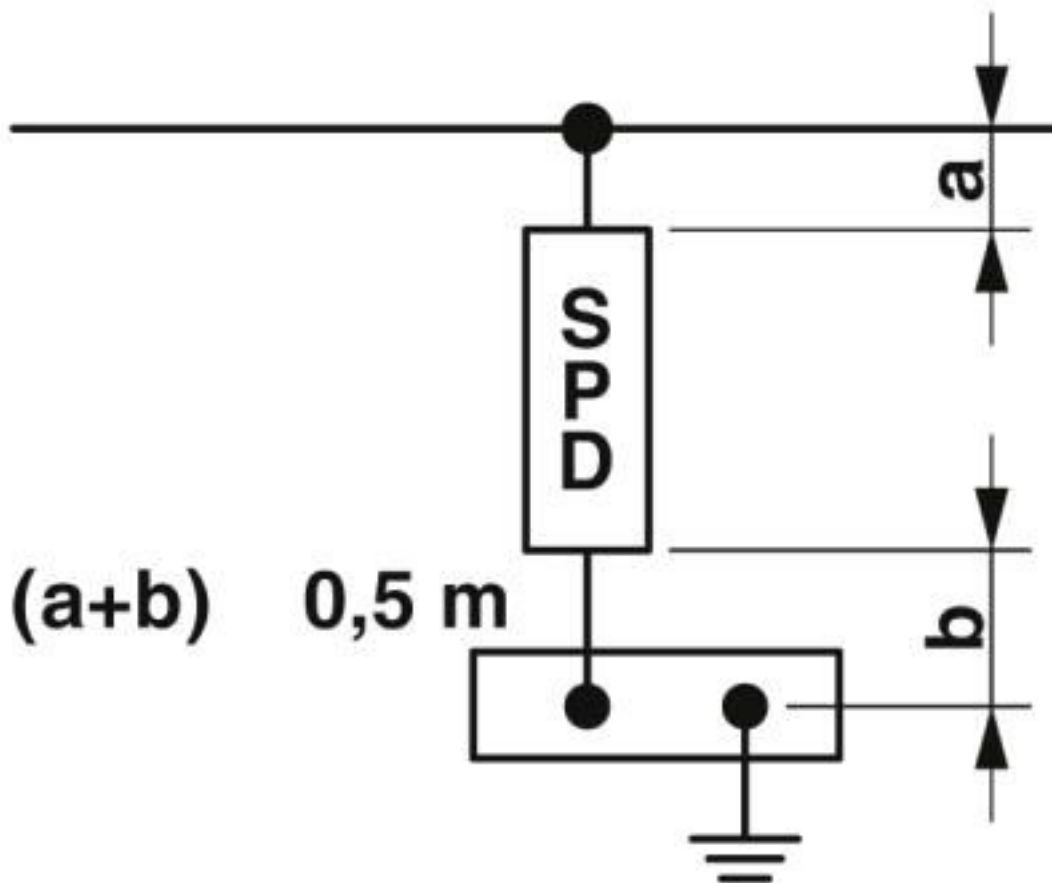
Type 2 surge arrester - PRT-1S-350/20/R - 2905977

Circuit diagram



Type 2 surge arrester - PRT-1S-350/20/R - 2905977

Circuit diagram



Classifications

eCl@ss

| | |
|---------------|----------|
| eCl@ss 10.0.1 | 27130805 |
| eCl@ss 5.1 | 27130801 |
| eCl@ss 6.0 | 27130800 |
| eCl@ss 7.0 | 27130805 |
| eCl@ss 8.0 | 27130805 |
| eCl@ss 9.0 | 27130805 |

ETIM

| | |
|----------|----------|
| ETIM 5.0 | EC000941 |
| ETIM 6.0 | EC000941 |
| ETIM 7.0 | EC000941 |

Phoenix Contact 2020 © - all rights reserved
<http://www.phoenixcontact.com>

PHOENIX CONTACT GmbH & Co. KG
Flachsmarktstr. 8
32825 Blomberg
Germany
Tel. +49 5235 300
Fax +49 5235 3 41200
<http://www.phoenixcontact.com>

X-ON Electronics

Largest Supplier of Electrical and Electronic Components

Click to view similar products for [Phoenix Contact](#) manufacturer:

Other Similar products are found below :

[1203259](#) [1893300](#) [1212619](#) [1927221](#) [1936102](#) [1730573](#) [3240366](#) [3240367](#) [1014246](#) [1014236](#) [1014240](#) [1014290](#) [1014293](#) [1806193](#)
[1823655](#) [1912825](#) [1842254](#) [1768260](#) [1716373](#) [1648030](#) [1579051](#) [1014235](#) [1014239](#) [1014229](#) [1212378](#) [2800744](#) [3006564](#) [2800741](#)
[5146480](#) [1623633](#) [1507793](#) [3025587](#) [3069708](#) [1431461](#) [1586976](#) [0311647](#) [1460160](#) [1771338](#) [3048387](#) [2814605](#) [0309086](#) [1513716](#)
[3035684](#) [5451417](#) [0202219](#) [1647747](#) [1730667](#) [1709267](#) [5449018](#) [0311634](#)