

## Type 2 surge arrester - BLT-T2-320-UT - 2906100

Please be informed that the data shown in this PDF Document is generated from our Online Catalog. Please find the complete data in the user's documentation. Our General Terms of Use for Downloads are valid (<http://phoenixcontact.com/download>)



Type 2 surge arrester for universal mounting in lights and cable connection boxes. Specifically for insulation class II with optical fault indication. Installation in branch or through wiring. Version: 230 V AC

### Your advantages

- L' signals the failure of the surge protective device due to disconnection of the power supply to the lights.
- Universal use for street, tunnel or object lighting
- Flexible installation
- Fixed via integrated elongated holes
- compact design
- Optical status indicator
- Stub or through-wiring connection
- Double or reinforced insulation



### Key Commercial Data

Packing unit	10 pc
GTIN	
GTIN	4055626058078

### Technical data

#### Dimensions

Height	56 mm
Width	36.5 mm
Depth	34 mm

#### Ambient conditions

Degree of protection	IP20
Ambient temperature (operation)	-40 °C ... 80 °C
Ambient temperature (storage/transport)	-40 °C ... 80 °C
Altitude	≤ 2000 m (amsl (above mean sea level))

# Type 2 surge arrester - BLT-T2-320-UT - 2906100

## Technical data

### Ambient conditions

Permissible humidity (operation)	5 % ... 95 %
----------------------------------	--------------

### General

IEC test classification	II / III
	T2 / T3
EN type	T2 / T3
IEC power supply system	TT
	TN-C
	IT
Mode of protection	L-N
Mounting type	4 mm screw
Color	light grey RAL 7035
Housing material	PA 6.6
Degree of pollution	2
Flammability rating according to UL 94	V-0
Protection class	II
Type	Installation module
Surge protection fault message	optical

### Protective circuit

Nominal voltage $U_N$	100 V AC ... 277 V AC
Nominal frequency $f_N$	50 Hz (60 Hz)
Maximum continuous voltage $U_C$	320 V AC
Rated load current $I_L$	16 A
Nominal discharge current $I_n$ (8/20) $\mu$ s	5 kA
Maximum discharge current $I_{max}$ (8/20) $\mu$ s	10 kA
Combination wave $U_{OC}$	10 kV
Short-circuit current rating $I_{SCCR}$	3 kA
Voltage protection level $U_p$	$\leq 1.3$ kV
Residual voltage $U_{res}$	$\leq 1.3$ kV (at $I_n$ )
	$\leq 1.3$ kV (at $U_{OC}$ )
TOV behavior at $U_T$	400 V AC (5 s / withstand mode)
	528 V AC (120 min / safe failure mode)
Response time $t_A$	$\leq 25$ ns
Max. backup fuse with V-type through wiring	16 A (MCB B/C)
Max. backup fuse with branch wiring	16 A (MCB B/C)

### Connection data

Connection method	Screw terminal blocks
Screw thread	M3
Tightening torque	0.6 Nm
2 conductors with same cross section, stranded min.	0.2 mm <sup>2</sup>

## Type 2 surge arrester - BLT-T2-320-UT - 2906100

### Technical data

#### Connection data

2 conductors with same cross section, stranded max.	1.5 mm <sup>2</sup>
Conductor cross section flexible	0.2 mm <sup>2</sup> ... 2.5 mm <sup>2</sup>
2 conductors with same cross section, solid min.	0.2 mm <sup>2</sup>
2 conductors with same cross section, solid max.	1.5 mm <sup>2</sup>
Conductor cross section solid	0.2 mm <sup>2</sup> ... 4 mm <sup>2</sup>

#### Standards and Regulations

Standards/regulations	IEC 61643-11 2011
	EN 61643-11 2012

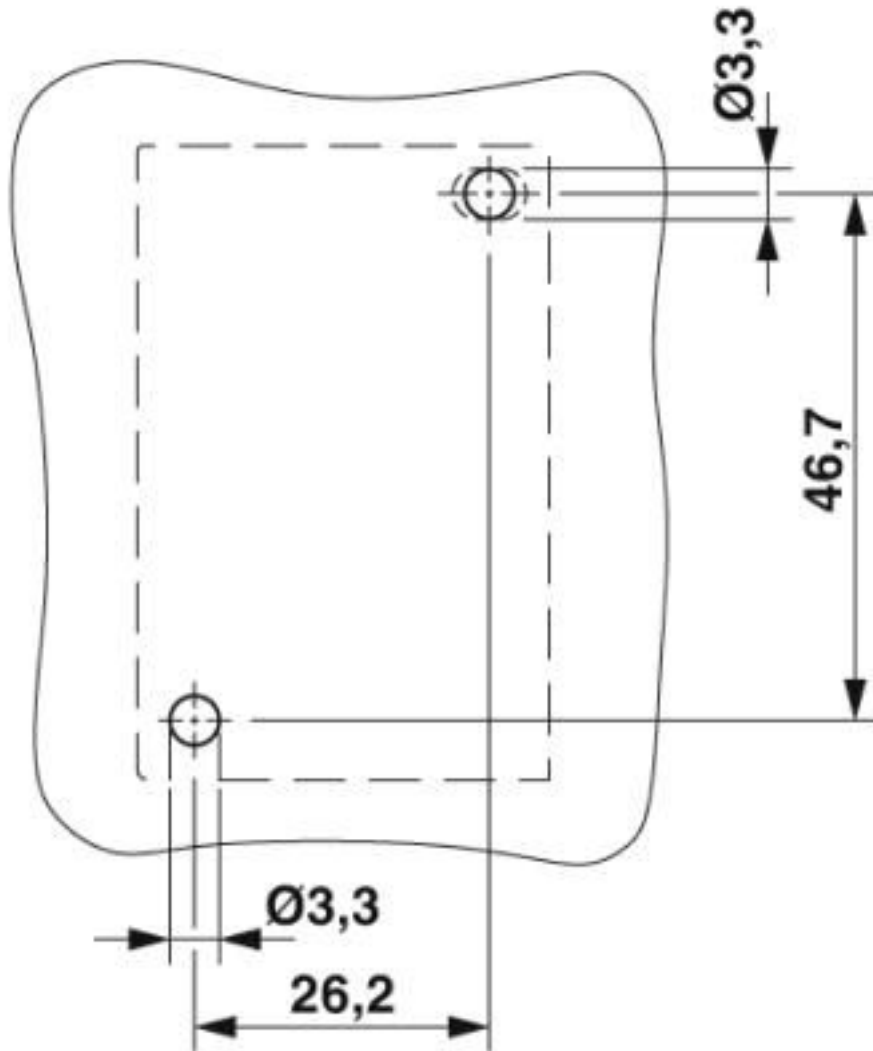
#### Environmental Product Compliance

REACH SVHC	Lead 7439-92-1
------------	----------------

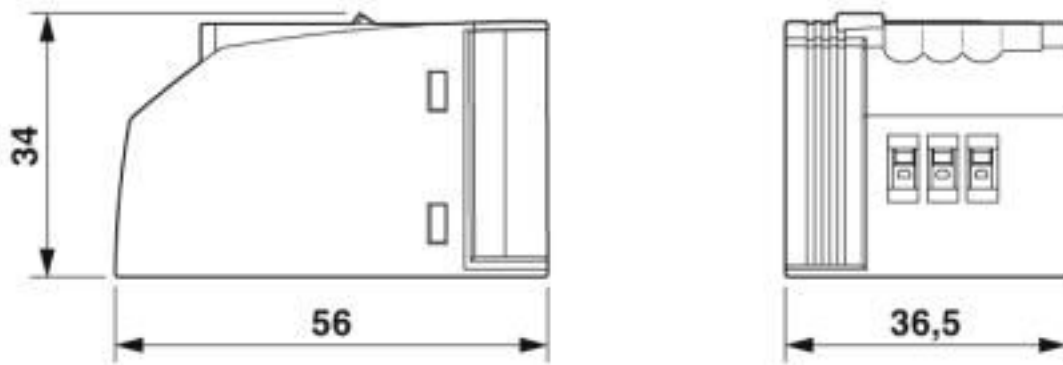
### Drawings

# Type 2 surge arrester - BLT-T2-320-UT - 2906100

Drilling diagram

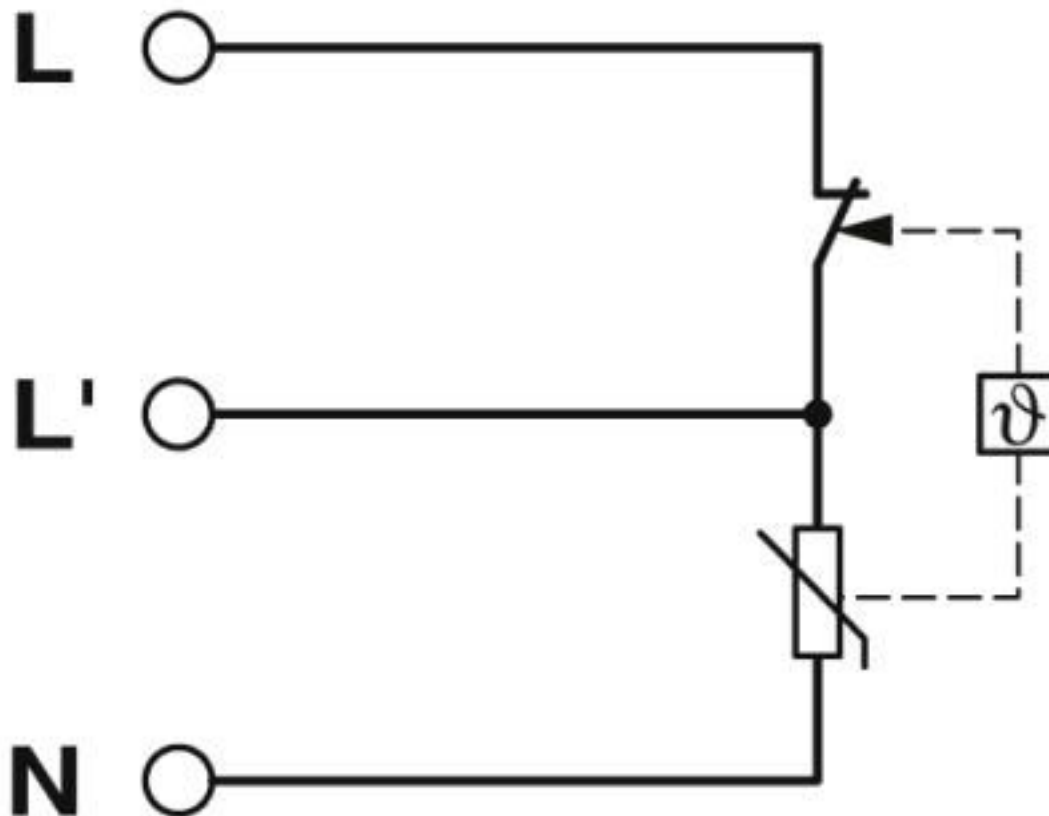


Dimensional drawing



# Type 2 surge arrester - BLT-T2-320-UT - 2906100

Circuit diagram



## Classifications

### eCl@ss

eCl@ss 10.0.1	27130805
eCl@ss 4.0	27130800
eCl@ss 4.1	27130800
eCl@ss 5.0	27130800
eCl@ss 5.1	27130800
eCl@ss 6.0	27130800
eCl@ss 7.0	27130805
eCl@ss 8.0	27130805
eCl@ss 9.0	27130805

### ETIM

ETIM 5.0	EC000941
ETIM 6.0	EC000941
ETIM 7.0	EC000941

### UNSPSC

UNSPSC 13.2	39121620
-------------	----------

# Type 2 surge arrester - BLT-T2-320-UT - 2906100

## Classifications

### UNSPSC

UNSPSC 18.0	39121620
UNSPSC 19.0	39121620
UNSPSC 20.0	39121620
UNSPSC 21.0	39121620

## Approvals

### Approvals

#### Approvals


CCA / KEMA-KEUR / IECEE CB Scheme / EAC

#### Ex Approvals

### Approval details

CCA	NTR-NL 7418
-----	-------------

KEMA-KEUR		<a href="http://www.dekra-certification.com">http://www.dekra-certification.com</a>	2179938.01
-----------	---	---	------------

IECEE CB Scheme		<a href="http://www.iecee.org/">http://www.iecee.org/</a>	NL-36565
-----------------	---	---	----------

EAC			RU C- DE.*09.B.00169
-----	---	--	-------------------------

Phoenix Contact 2020 © - all rights reserved  
<http://www.phoenixcontact.com>

PHOENIX CONTACT GmbH & Co. KG  
Flachsmarktstr. 8  
32825 Blomberg  
Germany  
Tel. +49 5235 300  
Fax +49 5235 3 41200  
<http://www.phoenixcontact.com>

## X-ON Electronics

Largest Supplier of Electrical and Electronic Components

*Click to view similar products for [Surge Suppressors](#) category:*

*Click to view products by [Phoenix Contact](#) manufacturer:*

Other Similar products are found below :

[GUS1](#) [GUS12](#) [BSPM1A600D600LVR](#) [2800521](#) [29-2053](#) [GUS11](#) [GUS2](#) [GUS3](#) [GUS4](#) [30460](#) [SRA64C060X](#) [PC642C015](#) [1810-15-A3](#)  
[2713175](#) [4B06B-EC1-150LF](#) [SRA6LC](#) [BPMA75D100LV](#) [CX06M](#) [CCTV1](#) [GUS13](#) [GUS14](#) [GUS5](#) [GUS6](#) [VAL-MS 320/3+0-FM](#) [VAL-US-](#)  
[120/40/1+1-FM](#) [VAL-US-120/65/1+1-FM](#) [VAL-US-480D/30/3+0-FM](#) [VAL-US-120/40/1+0-FM](#) [STCHSP121BT1RU](#) [LP-BFDN-CW](#) [LP-](#)  
[STRL-NFF](#) [LP-STRL-DFE](#) [GUS22](#) [0804111](#) [5053609](#) [5053201](#) [SPD2-150-1P0](#) [SPD2-550-1P0](#) [6720005416](#) [6720005417](#) [1-2191595-2](#)  
[STC-CAT6-P0E-I](#) [SPD2-350-1P0](#) [FLT-CP-350-ST](#) [TTC-6P-3-HF-F-M-12DC-UT-I](#) [SMTPA200](#) [2800989](#) [2906776](#) [2906810](#) [2906847](#)