

Active module - UM-D37M/16RSC-24DC/DO/C3/L IMC - 2906193

Please be informed that the data shown in this PDF Document is generated from our Online Catalog. Please find the complete data in the user's documentation. Our General Terms of Use for Downloads are valid (<http://phoenixcontact.com/download>)



VARIOFACE 16-channel module intended for use with Honeywell® Experion C300 24 V digital IOTA, left-hand version, 3 A, 120 V, conformal coating, inter-marshalling

Why buy this product

- UM-PRO housing
- DIN rail mounting, includes grounding foot
- Designed to be mounted in the left side of the cabinet
- Per channel pluggable 3 A fusing
- LED blown fuse indication
- Conformally-coated PCB
- Per channel configuration for NO or NC contacts
- Per-channel selectable inter-marshalling or external-powered (via toggle switch)



Key Commercial Data

Packing unit	1 pc
GTIN	
GTIN	4055626078038

Technical data

Note

Utilization restriction	EMC: class A product, see manufacturer's declaration in the download area
-------------------------	---

Dimensions

Width	244 mm
Height	142.3 mm
Depth	66.8 mm

Ambient conditions

Ambient temperature (operation)	-40 °C ... 70 °C
---------------------------------	------------------

Active module - UM-D37M/16RSC-24DC/DO/C3/L IMC - 2906193

Technical data

Ambient conditions

Ambient temperature (storage/transport)	-40 °C ... 75 °C
---	------------------

Input data

Nominal input voltage U_N	24 V DC
Input voltage range in reference to U_N	0.8 ... 1.1
Typical input current at U_N	7 mA
Typical response time	5 ms
Typical release time	15 ms
Type of protection	Free-wheeling diode
Protective circuit/component	Damping diode

Output data

Contact type	1 PDT
Contact material	AgSnO
Maximum switching voltage	120 V AC/DC
Minimum switching voltage	12 V
Limiting continuous current	3 A (fuse limited)
Min. switching current	10 mA (at 12 V)
Interrupting rating (ohmic load) max.	72 W (24 V DC)
	20 W (48 V DC)
	18 W (60 V DC)
	23 W (110 V DC)
	360 VA (120 V AC)
Error detection (line break / short-circuit)	no

General

No. of channels	16
With components	yes
Mechanical service life	2×10^7 cycles
Operating mode	100% operating factor
Degree of protection	IP20

Connection data for connection 1

Connection name	Controller level
Connection method	D-SUB connector
Number of connections	1
Number of positions	37

Connection data for connection 2

Connection name	Field level
Connection method	Screw connection
Stripping length	8 mm
Screw thread	M3

Active module - UM-D37M/16RSC-24DC/DO/C3/L IMC - 2906193

Technical data

Connection data for connection 2

Conductor cross section solid	0.2 mm ² ... 4 mm ²
Conductor cross section flexible	0.2 mm ² ... 2.5 mm ²
Conductor cross section AWG	24 ... 12
Number of connections	32

Supported controller

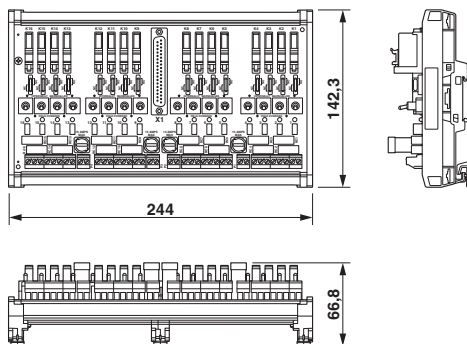
Corresponding control	HONEYWELL Experion PKS C300/C-Series
Corresponding I/O card	TDOB01 (non-redundant)
	TDOB11 (redundant)
	TDOB51 (non-redundant)
	TDOB61 (redundant)

Environmental Product Compliance

China RoHS	Environmentally Friendly Use Period = 50
	For details about hazardous substances go to tab "Downloads", Category "Manufacturer's declaration"

Drawings

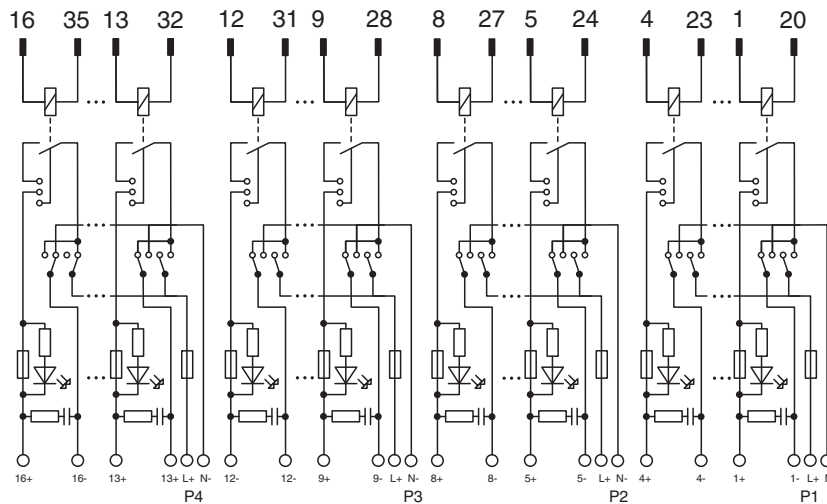
Dimensional drawing



Dimensional drawing of right-hand version

Active module - UM-D37M/16RSC-24DC/DO/C3/L IMC - 2906193

Circuit diagram



Channel 16 shows switch in internal marshalling powered configuration.
All other channels show switch in externally powered configuration.

Approvals

Approvals

Approvals

UL Recognized / cUL Recognized / cULus Recognized

Ex Approvals

Approval details

UL Recognized		http://database.ul.com/cgi-bin/XYV/template/LISEXT/1FRAME/index.htm	FILE E 238705
---------------	--	---	---------------

cUL Recognized		http://database.ul.com/cgi-bin/XYV/template/LISEXT/1FRAME/index.htm	FILE E 238705
----------------	--	---	---------------

Active module - UM-D37M/16RSC-24DC/DO/C3/L IMC - 2906193

Approvals

cULus Recognized



<http://database.ul.com/cgi-bin/XYV/template/LISEXT/1FRAME/index.htm>

Phoenix Contact 2018 © - all rights reserved
<http://www.phoenixcontact.com>

PHOENIX CONTACT GmbH & Co. KG
Flachsmarktstr. 8
32825 Blomberg
Germany
Tel. +49 5235 300
Fax +49 5235 3 41200
<http://www.phoenixcontact.com>

X-ON Electronics

Largest Supplier of Electrical and Electronic Components

Click to view similar products for [Terminal Block Interface Modules](#) category:

Click to view products by [Phoenix Contact](#) manufacturer:

Other Similar products are found below :

[73-551-6002I](#) [GCN1MX25B](#) [11S](#) [DIN-50P-01](#) [DIN-68H-01](#) [DIN-96DI-01](#) [2291901](#) [2900185](#) [2903392](#) [2907794](#) [2M10FCL](#) [2281759](#)
[2906249](#) [2907808](#) [TB ML 3P ST D5.08](#) [5604442](#) [XW2B-40G5-T](#) [5606629](#) [XW2B-20G5-D](#) [2903870](#) [5541988](#) [5541962](#) [1776613-1](#) [XW2B-](#)
[34G4](#) [XW2B-60G5](#) [XW2R-E34G-C1](#) [XW2R-E34G-C3](#) [XW2R-J40G-T](#) [XW2R-P34G-C4](#) [XW2B-50G5](#) [XW2R-E40G-T](#) [XW2R-E34G-C2](#)
[XW2R-J34G-C2](#) [ADAM-3920R-AE](#) [060-6827-06](#) [2311030](#) [2287708](#) [XW2C-20G6-IO16](#) [XW2R-J20G-T](#) [XW2B-60G4](#) [GCN1-T](#)
[00111550102](#) [2908853](#) [2908851](#) [2908852](#) [2908850](#) [1033201](#) [5541234](#) [410-261](#) [5521322](#)