

# Uninterruptible power supply - TRIO-UPS-2G/3AC/24DC/20 - 2906367

Please be informed that the data shown in this PDF Document is generated from our Online Catalog. Please find the complete data in the user's documentation. Our General Terms of Use for Downloads are valid (<http://phoenixcontact.com/download>)



Uninterruptible power supply with integrated power supply unit. For lead AGM energy storage with 3.4 Ah to 38 Ah nominal capacity. Input: 3-phase, output: 24 V DC/20 A. Push-in connection technology

## Product Description

Supply DC loads reliably and save space with the TRIO uninterruptible power supplies. An input grid is no longer necessary for startup. Connected industrial PCs can be shut down easily via the integrated USB interface.

## Your advantages

- ✓ Space saving: Combination of UPS module and power supply in the same housing
- ✓ Long buffer times, thanks to large selection of VRLA energy storage systems
- ✓ USB interface for connection to higher-level controllers such as industrial PCs
- ✓ Startup from energy storage possible, even without mains input
- ✓ Universal range of possible applications, thanks to a comprehensive package of approvals and an extended temperature range
- ✓ Easy installation, thanks to push-in connection technology



## Key Commercial Data

Packing unit	1 pc
GTIN	
GTIN	4055626068053

## Technical data

### Dimensions

Width	88 mm
Height	130 mm
Depth	160 mm
Width with alternative assembly	160 mm
Height with alternative assembly	130 mm
Depth with alternative assembly	88 mm
Installation distance right/left	0 mm / 0 mm
Installation distance top/bottom	50 mm / 50 mm

# Uninterruptible power supply - TRIO-UPS-2G/3AC/24DC/20 - 2906367

## Technical data

### Ambient conditions

Degree of protection	IP20
Inflammability class in acc. with UL 94 (housing / terminal blocks)	V0
Ambient temperature (operation)	-25 °C ... 70 °C (> 60 °C Derating: 2.5 %/K)
Ambient temperature (start-up type tested)	-40 °C
Ambient temperature (storage/transport)	-40 °C ... 85 °C
Max. permissible relative humidity (operation)	≤ 95 % (At +25°C, non-condensing)
Climatic class	3K3 (in acc. with EN 60721)
Degree of pollution	2
Installation height	≤ 4000 m (> 2000 m, observe derating)

### Input data

Inrush current limiting/I <sup>2</sup> t	< 0.76 A <sup>2</sup> s
Mains buffering time	≥ 25 ms (400 V AC)
Typical response time	200 ms
Input fuse, integrated	6.3 A (slow-blow, internal)

### Output data

Nominal output voltage	24 V DC
Setting range of the output voltage (U <sub>Set</sub> )	24 V DC ... 28 V DC (> 24 V constant capacity)
Nominal output current (I <sub>N</sub> )	20 A
Dynamic Boost (I <sub>Dyn.Boost</sub> )	30 A
Derating	> 60 °C (2.5%/K of P <sub>Out</sub> nom.)
Control deviation	< 0.3 % (Static load change 10 % ... 90 %)
Maximum power dissipation in no-load condition	< 3.6 W (400 V AC)
Efficiency	typ. 93 % (400 V AC)
	typ. 92 % (480 V AC)
	typ. 94 % (Battery operation)
Residual ripple	< 20 mV
Connection in parallel	yes, with diode module uncoupled
Surge protection against internal surge voltages	< 30 V DC
Feedback voltage resistance	≤ 35 V DC

### General

Net weight	1.71 kg
Insulation voltage input/output	4 kV AC (type test)
	2 kV AC (routine test)
Protection class	I
MTBF (IEC 61709, SN 29500)	> 1108720 h (400 V AC, at 25°C)
	> 680194 h (400 V AC, at 40°C)
	> 323816 h (400 V AC, at 60°C)
Mounting position	horizontal DIN rail NS 35, EN 60715
Assembly instructions	alignable: horizontally 0 mm, vertically 50 mm

# Uninterruptible power supply - TRIO-UPS-2G/3AC/24DC/20 - 2906367

## Technical data

### Connection data, input

Connection method	Push-in connection
Conductor cross section solid min.	0.2 mm <sup>2</sup>
Conductor cross section solid max.	4 mm <sup>2</sup>
Conductor cross section flexible min.	0.2 mm <sup>2</sup>
Conductor cross section flexible max.	2.5 mm <sup>2</sup>
Conductor cross section AWG min.	24
Conductor cross section AWG max.	12
Stripping length	10 mm

### Connection data, output

Connection method	Push-in connection
Conductor cross section solid min.	0.2 mm <sup>2</sup>
Conductor cross section solid max.	10 mm <sup>2</sup>
Conductor cross section flexible min.	0.2 mm <sup>2</sup>
Conductor cross section flexible max.	6 mm <sup>2</sup>
Conductor cross section AWG min.	24
Conductor cross section AWG max.	8
Stripping length	15 mm

### Connection data for signaling

Connection method	Push-in connection
Conductor cross section solid min.	0.2 mm <sup>2</sup>
Conductor cross section solid max.	1.5 mm <sup>2</sup>
Conductor cross section flexible min.	0.2 mm <sup>2</sup>
Conductor cross section flexible max.	1.5 mm <sup>2</sup>
Conductor cross section AWG min.	24
Conductor cross section AWG max.	16
Stripping length	8 mm

### Charging process

Charge characteristic curve	IU <sub>0</sub> U
Charge current	0.5 A ... 3 A (-25 °C ... 60 °C)

### Standards

EMC requirements for noise immunity	EN 61000-6-1
	EN 61000-6-2
EMC requirements for noise emission	EN 61000-6-3
	EN 61000-6-4
Standard - safety for equipment for measurement, control, and laboratory use	IEC 61010-1
Standard - Safety extra-low voltage	IEC 61010 (SELV) / (PELV)
Standard - Safe isolation	DIN VDE 0100-410
Standard - power supply devices for low voltage with DC output	EN 61204-3

# Uninterruptible power supply - TRIO-UPS-2G/3AC/24DC/20 - 2906367

## Technical data

### Conformance/approvals

UL approvals	UL Listed UL 61010
	UL/C-UL Listed ANSI/ISA-12.12.01 Class I, Division 2, Groups A, B, C

### EMC data

Electromagnetic compatibility	Conformance with EMC Directive 2014/30/EU
Low Voltage Directive	Conformance with Low Voltage Directive 2014/35/EC
Conducted noise emission	EN 61000-6-3 (Class B)
Noise emission	EN 61000-6-3 (Class B)
DNV GL conducted interference	Class B
Additional text	Area power distribution
DNV GL noise radiation	Class B
Additional text	Bridge and deck area
Electrostatic discharge	EN 61000-4-2
Contact discharge	6 kV (Test Level 4)
Discharge in air	8 kV (Test Level 4)
Electromagnetic HF field	EN 61000-4-3
Frequency range	80 MHz ... 6 GHz
Test field strength	10 V/m (Test Level 3)
Comments	Criterion A
Fast transients (burst)	EN 61000-4-4
Input	4 kV (Test Level 4 - asymmetrical)
Output	2 kV (Test Level 3 - asymmetrical)
Signal	2 kV (Test Level 4 - asymmetrical)
Comments	Criterion A
Input	2 kV (Test Level 3 - symmetrical)
	4 kV (Test Level 4 - asymmetrical)
Output	1 kV (Test Level 1 - symmetrical)
	2 kV (Test Level 3 - asymmetrical)
Signal	1 kV (Test Level 2 - asymmetrical)
Comments	Criterion A
Conducted interference	EN 61000-4-6
I/O/S	asymmetrical
Frequency range	0.15 MHz ... 80 MHz
Voltage	10 V (Test Level 3)
Comments	Criterion A
Attenuated sinusoidal oscillations (ring wave)	EN 61000-4-12
Input	2 kV (symmetrical)
	4 kV (asymmetrical)
Comments	Criterion A
Criterion A	Normal operating behavior within the specified limits.

# Uninterruptible power supply - TRIO-UPS-2G/3AC/24DC/20 - 2906367

## Technical data

### EMC data

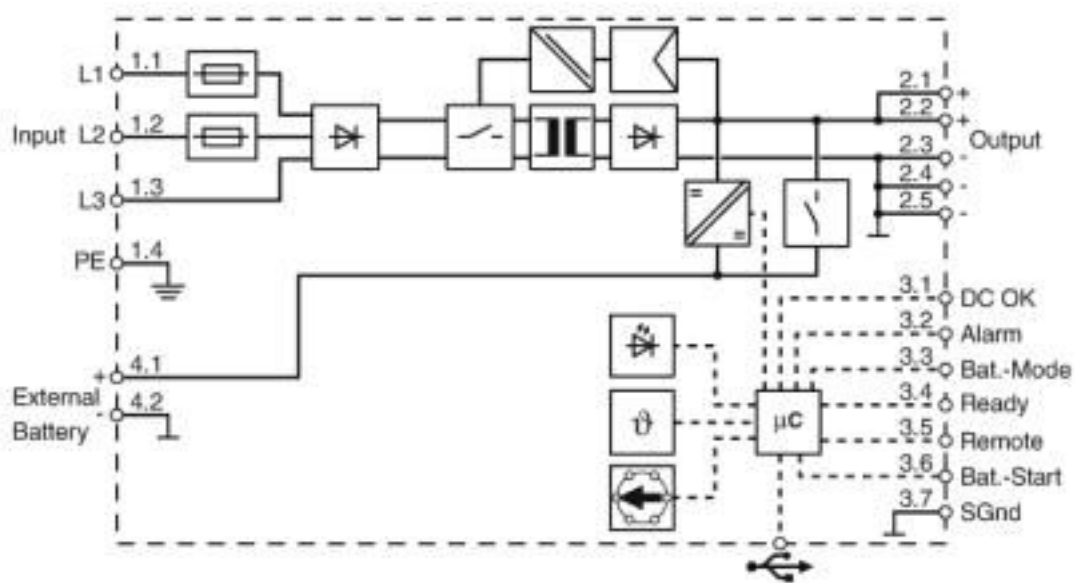
Criterion B	Temporary impairment to operational behavior that is corrected by the device itself.
-------------	--

### Environmental Product Compliance

REACH SVHC	Lead 7439-92-1
------------	----------------

## Drawings

Block diagram



## Classifications

### eCl@ss

eCl@ss 10.0.1	27040705
eCl@ss 9.0	27040705

### ETIM

ETIM 6.0	EC000382
ETIM 7.0	EC000382

## Approvals

### Approvals

### Approvals

DNV GL / BSH / UL Listed / cUL Listed / EAC / IECCE CB Scheme / LR / cULus Listed

# Uninterruptible power supply - TRIO-UPS-2G/3AC/24DC/20 - 2906367

## Approvals

Ex Approvals

UL Listed / cUL Listed / cULus Listed

### Approval details

DNV GL		<a href="https://approvalfinder.dnvgl.com/">https://approvalfinder.dnvgl.com/</a>	TAA00002DW
BSH			1025a
UL Listed		<a href="http://database.ul.com/cgi-bin/XYV/template/LISEXT/1FRAME/index.htm">http://database.ul.com/cgi-bin/XYV/template/LISEXT/1FRAME/index.htm</a>	FILE E 123528
cUL Listed		<a href="http://database.ul.com/cgi-bin/XYV/template/LISEXT/1FRAME/index.htm">http://database.ul.com/cgi-bin/XYV/template/LISEXT/1FRAME/index.htm</a>	FILE E 123528
EAC			RU*DE*08.B.01873/19
IECEE CB Scheme		<a href="http://www.iecee.org/">http://www.iecee.org/</a>	DK-69956-UL
LR		<a href="http://www.lr.org/en">http://www.lr.org/en</a>	LR2002877TA
cULus Listed			

## Accessories

Accessories

Assembly adapter

# Uninterruptible power supply - TRIO-UPS-2G/3AC/24DC/20 - 2906367

## Accessories

### Assembly adapters - UWA 130 - 2901664



2-piece universal wall adapter for securely mounting the device in the event of strong vibrations. The profiles that are screwed onto the side of the device are screwed directly onto the mounting surface. The universal wall adapter is attached on the left/right.

---

## Battery unit

### Energy storage - UPS-BAT/VRLA/24DC/3.4AH - 2320306



Energy storage device, lead AGM, VRLA technology, 24 V DC, 3.4 Ah, tool-free battery replacement, automatic detection, and communication with QUINT UPS-IQ

---

### Energy storage - UPS-BAT/VRLA/24DC/7.2AH - 2320319



Energy storage device, lead AGM, VRLA technology, 24 V DC, 7.2 Ah, tool-free battery replacement, automatic detection, and communication with QUINT UPS-IQ

---

### Energy storage - UPS-BAT/VRLA/24DC/12AH - 2320322



Energy storage device, lead AGM, VRLA technology, 24 V DC, 12 Ah, tool-free battery replacement, automatic detection, and communication with QUINT UPS-IQ

---

### Energy storage - UPS-BAT/VRLA/24DC/38AH - 2320335



Energy storage device, lead AGM, VRLA technology, 24 V DC, 38 Ah, automatic detection, and communication with QUINT UPS-IQ

---

## Data cable preassembled

## Uninterruptible power supply - TRIO-UPS-2G/3AC/24DC/20 - 2906367

### Accessories

Data cable - MINI-SCREW-USB-DATACABLE - 2908217



Used for communication between an industrial PC and Phoenix Contact devices with USB-Mini-B connection.

---

Phoenix Contact 2020 © - all rights reserved  
<http://www.phoenixcontact.com>

PHOENIX CONTACT GmbH & Co. KG  
Flachsmarktstr. 8  
32825 Blomberg  
Germany  
Tel. +49 5235 300  
Fax +49 5235 3 41200  
<http://www.phoenixcontact.com>



## X-ON Electronics

Largest Supplier of Electrical and Electronic Components

*Click to view similar products for [UPS - Uninterruptible Power Supplies](#) category:*

*Click to view products by [Phoenix Contact](#) manufacturer:*

Other Similar products are found below :

[SMART-1400-RM](#) [UPS1500ITSIT](#) [UPS12438](#) [UPS12434](#) [UPS25512](#) [UPS1024746](#) [UPS23916EBM](#) [UPSITSNMP](#) [TRIO-UPS-](#)  
[2G/1AC/24DC/5](#) [TRIO-UPS-2G/1AC/24DC/10](#) [QUINT4-UPS/24DC/24DC/20/EI](#) [QUINT4-UPS/24DC/24DC/5/USB](#) [QUINT4-](#)  
[UPS/24DC/24DC/20/US](#) [SLNSPSPMBRK](#) [MINI-BAT/12DC/2.6AH](#) [TSPC 240-124UPS](#) [AKKUTEC2440](#) [DR-UPS40](#) [UPS003LSM](#)  
[1081430](#) [1082548](#) [1094596](#) [2320212](#) [2320225](#) [2320238](#) [2320241](#) [2320254](#) [2320267](#) [2320270](#) [2320377](#) [2320380](#) [2320393](#) [2320461](#)  
[2866213](#) [2866226](#) [2866239](#) [2866242](#) [2866349](#) [2866352](#) [2866365](#) [2866417](#) [2866569](#) [2866572](#) [2866598](#) [2866611](#) [2866666](#) [2868703](#)  
[2905907](#) [2905908](#) [2905909](#)