

Type 3 surge protection plug - PLT-T3-IT-230-P - 2906451


Please be informed that the data shown in this PDF Document is generated from our Online Catalog. Please find the complete data in the user's documentation. Our General Terms of Use for Downloads are valid (<http://phoenixcontact.com/download>)



Replacement plug for device protection in IT systems from the PLUGTRAB product series. 230 V nominal voltage.

RoHS

Key Commercial Data

| | |
|--------------|---|
| Packing unit | 1 pc |
| GTIN |  4 055626 077345 |
| GTIN | 4055626077345 |

Technical data

Dimensions

| | |
|--------|---------|
| Height | 45 mm |
| Width | 17.7 mm |
| Depth | 52 mm |

Ambient conditions

| | |
|---|--|
| Degree of protection | IP20 |
| Ambient temperature (operation) | -40 °C ... 70 °C |
| Ambient temperature (storage/transport) | -40 °C ... 70 °C |
| Altitude | ≤ 2000 m (amsl (above mean sea level)) |
| Permissible humidity (operation) | 5 % ... 95 % |

General

| | |
|--------------------|--------------------|
| EN type | T3 |
| Number of ports | One |
| Mode of protection | L-L L-PE |
| Mounting type | on base element |
| Color | jet black RAL 9005 |
| Housing material | PA 6.6 |

Type 3 surge protection plug - PLT-T3-IT-230-P - 2906451

Technical data

General

| | |
|--|------|
| Degree of pollution | 2 |
| Flammability rating according to UL 94 | V-0 |
| Type | Male |

Protective circuit

| | |
|---|--|
| Nominal voltage U_N | 230 V AC (IT) |
| Nominal frequency f_N | 50 Hz (60 Hz) |
| Maximum continuous operating voltage U_C (L-N) | 275 V AC |
| Maximum continuous operating voltage U_C (L-PE) | 440 V AC |
| Rated load current I_L | 16 A (60 °C) |
| Residual current I_{PE} | $\leq 1 \mu A$ |
| Nominal discharge current I_n (8/20) μs | 3 kA |
| Standby power consumption P_C | ≤ 340 mVA |
| Reference test voltage U_{REF} | 255 V AC |
| Max. discharge current I_{max} (8/20) μs | 8 kA |
| Combination wave U_{OC} | 6 kV |
| Voltage protection level U_p (L-N) | ≤ 1.2 kV |
| Voltage protection level U_p (L-PE) | ≤ 1.5 kV |
| TOV behavior at U_T (L-PE) | 440 V AC (120 min / withstand mode) |
| | 1455 V AC (200 ms / safe failure mode) |
| Response time t_A (L-N) | ≤ 25 ns |
| Response time t_A (L-PE) | ≤ 100 ns |
| Max. required back-up fuse | 16 A (MCB B) |
| Short-circuit current rating I_{SCCR} | 1.5 kA AC |
| Max. backup fuse with branch wiring | 16 A (MCB B) |
| Maximum backup fuse for through wiring | 16 A (MCB B) |

Connection data

| | |
|-------------------|-----------|
| Connection method | pluggable |
|-------------------|-----------|

Standards and Regulations

| | |
|--------------------------|-------------------|
| Standards/specifications | IEC 61643-11 2011 |
| | EN 61643-11 2012 |

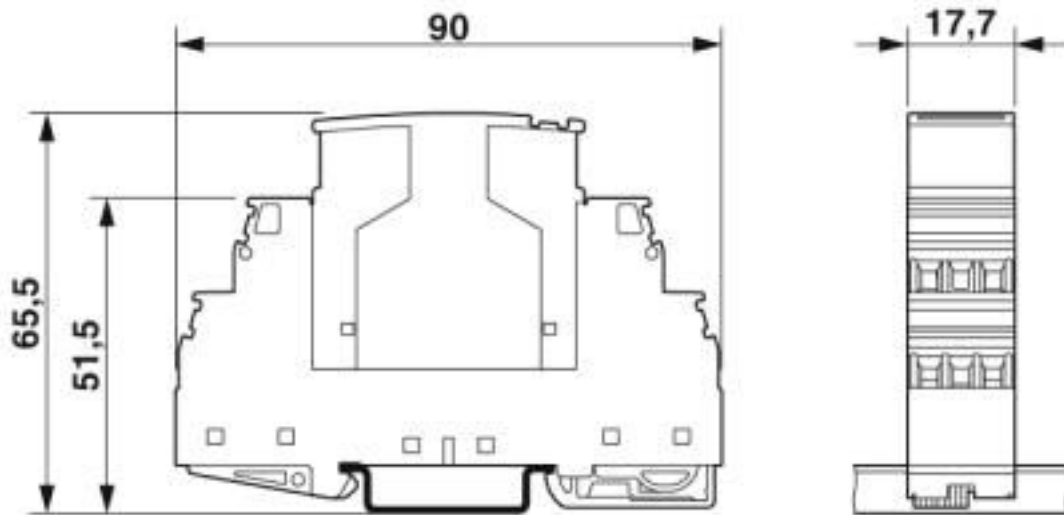
Environmental Product Compliance

| | |
|------------|---|
| China RoHS | Environmentally Friendly Use Period = 50 years |
| | For details about hazardous substances go to tab "Downloads", Category "Manufacturer's declaration" |

Drawings

Type 3 surge protection plug - PLT-T3-IT-230-P - 2906451

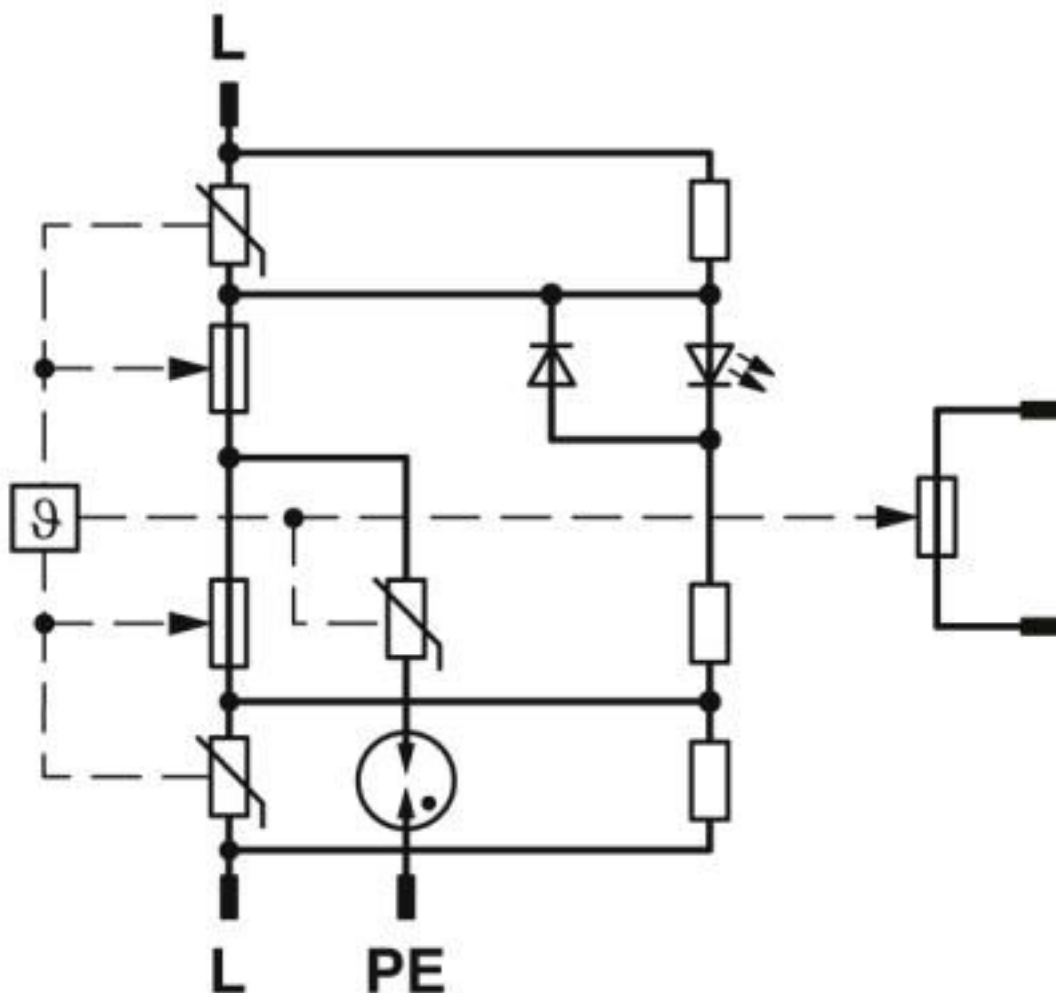
Dimensional drawing



The figure shows the complete module consisting of a base element and connector

Type 3 surge protection plug - PLT-T3-IT-230-P - 2906451

Circuit diagram



Classifications

eCl@ss

| | |
|---------------|----------|
| eCl@ss 10.0.1 | 27130890 |
| eCl@ss 4.0 | 27130800 |
| eCl@ss 4.1 | 27130800 |
| eCl@ss 5.0 | 27130800 |
| eCl@ss 5.1 | 27130800 |
| eCl@ss 6.0 | 27130800 |
| eCl@ss 7.0 | 27130806 |
| eCl@ss 8.0 | 27130890 |
| eCl@ss 9.0 | 27130890 |

ETIM

| | |
|----------|----------|
| ETIM 2.0 | EC000942 |
|----------|----------|

Type 3 surge protection plug - PLT-T3-IT-230-P - 2906451

Classifications

ETIM

| | |
|----------|----------|
| ETIM 3.0 | EC000942 |
| ETIM 4.0 | EC000942 |
| ETIM 5.0 | EC002496 |
| ETIM 6.0 | EC000942 |
| ETIM 7.0 | EC000942 |

UNSPSC

| | |
|---------------|----------|
| UNSPSC 6.01 | 30212010 |
| UNSPSC 7.0901 | 39121610 |
| UNSPSC 11 | 39121610 |
| UNSPSC 12.01 | 39121610 |
| UNSPSC 13.2 | 39121620 |
| UNSPSC 18.0 | 39121620 |
| UNSPSC 19.0 | 39121620 |
| UNSPSC 20.0 | 39121620 |
| UNSPSC 21.0 | 39121620 |

Approvals

Approvals

Approvals

EAC

Ex Approvals

Approval details

| | | |
|-----|--|-------------------------|
| EAC | | RU C- DE.*09.B.00169 |
|-----|--|-------------------------|

Accessories

Accessories

Device marking

Type 3 surge protection plug - PLT-T3-IT-230-P - 2906451

Accessories

Zack marker strip - ZBN 18:UNBEDRUCKT - 2809128



Zack marker strip, Strip, white, unlabeled, can be labeled with: CMS-P1-PLOTTER, PLOTMARK, mounting type: snap into tall marker groove, for terminal block width: 18 mm, lettering field size: 18 x 5 mm, Number of individual labels: 5

Labeled terminal marker

Zack Marker strip, flat - ZBF 5,LGS:FORTL.ZAHLEN - 0808671



Zack Marker strip, flat, Strip, white, labeled, printed horizontally: consecutive numbers 1 ... 10, 11 ... 20, etc. up to 491 ... 500, mounting type: snap into flat marker groove, for terminal block width: 5 mm, lettering field size: 5.15 x 5.15 mm, Number of individual labels: 10

Zack Marker strip, flat - ZBF 5,LGS:GERADE ZAHLEN - 0810821



Zack Marker strip, flat, Strip, white, labeled, printed horizontally: consecutive numbers 2 ... 20, 22 ... 40, etc. up to 82 ... 100, mounting type: snap into flat marker groove, for terminal block width: 5 mm, lettering field size: 5.15 x 5.15 mm, Number of individual labels: 10

Zack Marker strip, flat - ZBF 5,LGS:UNGERADE ZAHLEN - 0810863



Zack Marker strip, flat, Strip, white, labeled, printed horizontally: Odd numbers 1 - 19, 21 - 39, etc. up to 81 - 99, mounting type: snap into flat marker groove, for terminal block width: 5 mm, lettering field size: 5.15 x 5.15 mm, Number of individual labels: 10

Zack Marker strip, flat - ZBF 5,QR:FORTL.ZAHLEN - 0808697



Zack Marker strip, flat, Strip, white, labeled, Printed vertically: consecutive numbers 1 ... 10, 11 ... 20, etc. up to 91 ... 100, mounting type: snap into flat marker groove, for terminal block width: 5 mm, lettering field size: 5.15 x 5.15 mm, Number of individual labels: 10

Marker pen

Type 3 surge protection plug - PLT-T3-IT-230-P - 2906451

Accessories

Marker pen - X-PEN 0,35 - 0811228



Marker pen without ink cartridge, for manual labeling of markers, labeling extremely wipe-proof, line thickness 0.35 mm

Terminal marking

Zack Marker strip, flat - ZBF 5:UNBEDRUCKT - 0808642



Zack Marker strip, flat, Strip, white, unlabeled, can be labeled with: PLOTMARK, CMS-P1-PLOTTER, mounting type: snap into flat marker groove, for terminal block width: 5 mm, lettering field size: 5.1 x 5.2 mm, Number of individual labels: 10

Zack Marker strip, flat - ZBF 5/WH-100:UNBEDRUCKT - 0808668



Zack Marker strip, flat, Strip, white, unlabeled, can be labeled with: CMS-P1-PLOTTER, PLOTMARK, mounting type: snap into flat marker groove, for terminal block width: 5 mm, lettering field size: 5.15 x 5.15 mm, Number of individual labels: 10

Additional products

Type 3 surge protection base element - PT-BE/FM - 2839282



Base element for protective plug PT, for mounting on NS 35/7.5 and NS 35/15, housing width: 17.5 mm

X-ON Electronics

Largest Supplier of Electrical and Electronic Components

Click to view similar products for [Surge Suppressors](#) category:

Click to view products by [Phoenix Contact](#) manufacturer:

Other Similar products are found below :

[GUS1](#) [GUS12](#) [BSPM1A600D600LVR](#) [2800521](#) [29-2053](#) [GUS11](#) [GUS2](#) [GUS3](#) [30460](#) [SRA64C060X](#) [PC642C015](#) [1810-15-A3](#) [2713175](#)
[4B06B-EC1-150LF](#) [SRA6LC](#) [BPMA75D100LV](#) [CX06M](#) [CCTV1](#) [GUS13](#) [GUS14](#) [GUS5](#) [GUS6](#) [VAL-MS 320/3+0-FM](#) [VAL-US-](#)
[120/40/1+1-FM](#) [VAL-US-120/65/1+1-FM](#) [VAL-US-480D/30/3+0-FM](#) [VAL-US-120/40/1+0-FM](#) [LP-BFDN-CW](#) [LP-STRL-NFF](#) [LP-STRL-](#)
[DFF](#) [GUS22](#) [0804111](#) [5053609](#) [5053201](#) [SPD2-150-1P0](#) [SPD2-550-1P0](#) [6720005416](#) [6720005417](#) [1-2191595-2](#) [STC-CAT6-P0E-I](#) [SPD2-](#)
[350-1P0](#) [FLT-CP-350-ST](#) [TTC-6P-3-HF-F-M-12DC-UT-I](#) [SMTPA200](#) [2800989](#) [2906776](#) [2906810](#) [2906847](#) [2906848](#) [2906851](#)