

# Input/output module - IOA FEED-THRU/EX - 2906598

Please be informed that the data shown in this PDF Document is generated from our Online Catalog. Please find the complete data in the user's documentation. Our General Terms of Use for Downloads are valid (<http://phoenixcontact.com/download>)



Feed-through terminal block for VIP I/O-Marshalling base elements for conveying field signals to or from the I/O system.

## Product Description


Feed-through terminal block for conveying field signals to or from the I/O system. The module is installed on a corresponding VIP I/O-Marshalling base element by means of plug-in contact. Installation in zone 2, "ec" type of protection is permitted.

## Your advantages

- Two-stage progressive release



## Key Commercial Data

Packing unit	1 pc
GTIN	 4 055626 171784
GTIN	4055626171784

## Technical data

### Dimensions

Width	10.3 mm
Height	64.2 mm
Depth	72.9 mm

### Ambient conditions

Ambient temperature (operation)	-40 °C ... 75 °C
Ambient temperature (storage/transport)	-40 °C ... 75 °C
Permissible humidity (operation)	0 % ... 95 % (non-condensing)
Degree of protection	IP20

### General

Nominal voltage $U_N$	24 V DC
Max. operating voltage $U_{max}$	30 V

# Input/output module - IOA FEED-THRU/EX - 2906598

## Technical data

### General

Max. operating voltage	30 V
Max. perm. current (per branch)	1 A
Max. permissible current	1 A
Status display	No
Mounting position	any

### Safety data

Input voltage $U_i$	30 V
Input current $I_i$	1 A
Inductance $L_i$	0 mH
Capacitance $C_i$	0 $\mu$ F
Max. output voltage $U_o$	$U_i$
Max. output current $I_o$	$I_i$
Max. output power $P_o$	$P_i$
FM approval	Class I, Zone 2, AEx nA ic IIC T4 Gc; AEx nA IIC T4 Gc Nonincendive: Class I, Div. 2, Groups A, B, C, D T4 With connection to Class I, II, and III, Div. 2, Groups A, B, C, D, E, F, G
UL, USA/Canada	Class I, Div. 2, Groups A, B, C, D T4 Class I, Zone 2, IIC T4
CSA, USA/Canada	Nonincendive: Class I, Div. 2, Groups A, B, C, D T4 Connection to Class I, II, III, Div. 2, Groups A, B, C, D, E, F, G Class I, Zone 2, (A)Ex nA IIC T4 Gc; (A)Ex nA ic IIC T4 Gc

### Connection data

Connection name	Control circuits
Connection method	Pin strip
Number of connections	1
Number of positions	13

### Standards and Regulations

Standards/regulations	IEC 60664
	DIN EN 50178
Flammability rating according to UL 94	V0
Conformance	ANSI/ISA 60079-0; 60079-11; 60079-15
	ANSI/IEC 60529
	FM 3600; 3611; 3810
UL, USA/Canada	Class I, Div. 2, Groups A, B, C, D T4 Class I, Zone 2, IIC T4
CSA, USA/Canada	Nonincendive: Class I, Div. 2, Groups A, B, C, D T4 Connection to Class I, II, III, Div. 2, Groups A, B, C, D, E, F, G Class I, Zone 2, (A)Ex nA IIC T4 Gc; (A)Ex nA ic IIC T4 Gc

### Environmental Product Compliance

China RoHS	Environmentally Friendly Use Period = 50 years
------------	--

# Input/output module - IOA FEED-THRU/EX - 2906598

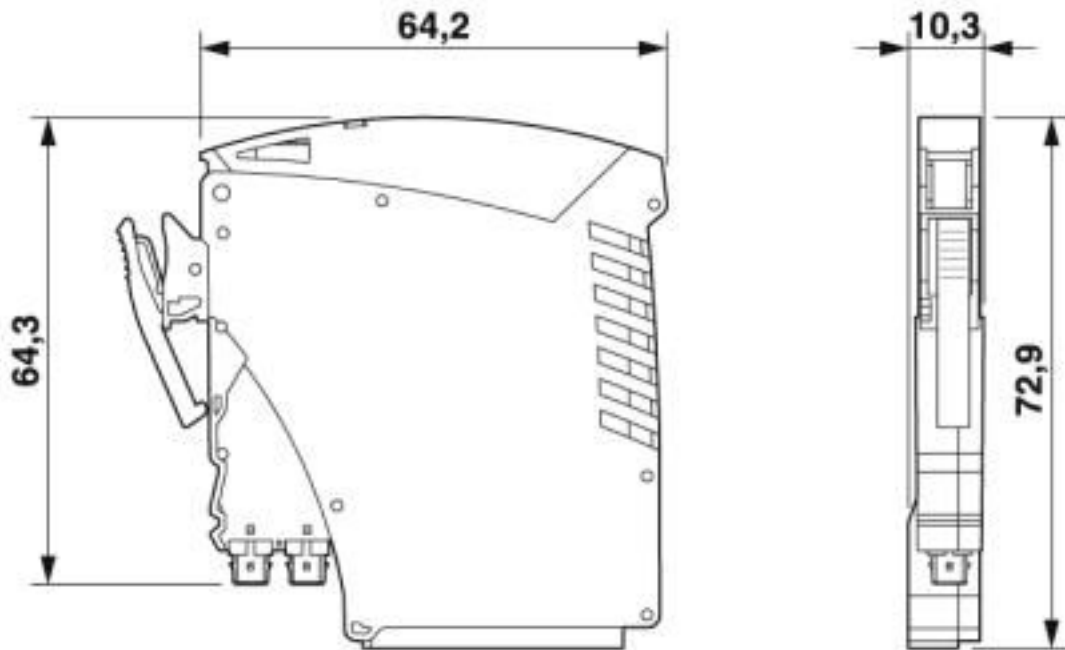
## Technical data

### Environmental Product Compliance

	For details about hazardous substances go to tab "Downloads", Category "Manufacturer's declaration"
--	---

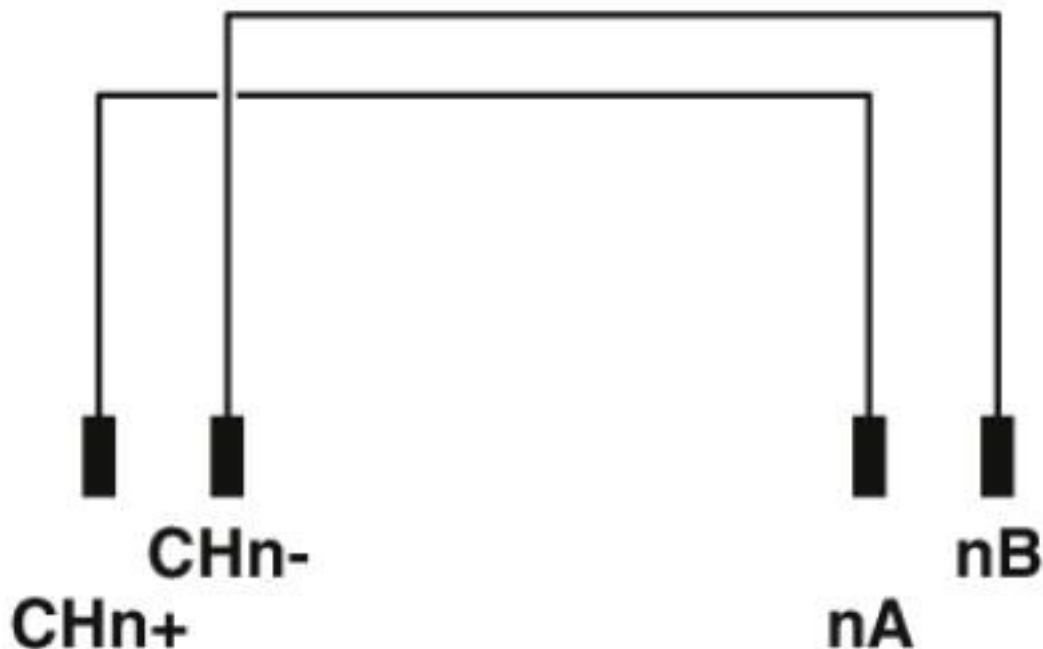
## Drawings

Dimensional drawing



# Input/output module - IOA FEED-THRU/EX - 2906598

Circuit diagram



## Classifications

eCl@ss

eCl@ss 10.0.1	27141152
eCl@ss 4.0	27250313
eCl@ss 4.1	27250313
eCl@ss 5.0	27250313
eCl@ss 5.1	27250313
eCl@ss 6.0	27242600
eCl@ss 7.0	27141152
eCl@ss 8.0	27141152
eCl@ss 9.0	27141152

ETIM

ETIM 4.0	EC002780
ETIM 5.0	EC002780
ETIM 6.0	EC002780
ETIM 7.0	EC002780

## Approvals

Approvals

---

# Input/output module - IOA FEED-THRU/EX - 2906598

## Approvals

Approvals

Functional Safety

---

Ex Approvals

IECEX / ATEX / FM approved / UL Listed / cUL Listed / CSA / CSAus / cULus Listed / cCSAus

---

## Approval details

Functional Safety	PHO 1609035 C001
-------------------	------------------

## Accessories

### Necessary add-on products

Base module - VIP/S/MC/BASE 1-8/L/EX - 2906596



VIP base module with input/output accessories (IOA) provide universal channel configuration. This module has markings for channels 1-8.

---

Base module - VIP/S/MC/BASE 9-16/L/EX - 2906630



VIP base module with input/output accessories (IOA) provide universal channel configuration. This module has markings for channels 9-16.

---

Base module - VIP/S/MC/BASE 17-24/L/EX - 2907024



VIP base module with input/output accessories (IOA) provide universal channel configuration. This module has markings for channels 17-24.

---

Base module - VIP/S/MC/BASE 25-32/L/EX - 2907025



VIP base module with input/output accessories (IOA) provide universal channel configuration. This module has markings for channels 25-32.

## Input/output module - IOA FEED-THRU/EX - 2906598

### Accessories

---

#### Base module - VIP/S/MC/BASE 1-8/L/C/EX - 2907186



VIP base module with input/output accessories (IOA) provide universal channel configuration. This module has markings for channels 1-8 and includes conformal coating of the printed circuit board assembly.

---

#### Base module - VIP/S/MC/BASE 9-16/L/C/EX - 2907187



VIP base module with input/output accessories (IOA) provide universal channel configuration. This module has markings for channels 9-16 and includes conformal coating of the printed circuit board assembly.

---

#### Base module - VIP/S/MC/BASE 17-24/L/C/EX - 2907209



VIP base module with input/output accessories (IOA) provide universal channel configuration. This module has markings for channels 17-24 and includes conformal coating of the printed circuit board assembly.

---

#### Base module - VIP/S/MC/BASE 25-32/L/C/EX - 2907210



VIP base module with input/output accessories (IOA) provide universal channel configuration. This module has markings for channels 25-32 and includes conformal coating of the printed circuit board assembly.

---

#### Base module - VIP/S/D25M/BASE 1-8/L/C/EX - 2906595



VIP base module with input/output accessories (IOA) provide universal channel configuration. This module with the D-SUB 25 connector is pin compatible to the Foxboro I/A series DCS.

---

## Input/output module - IOA FEED-THRU/EX - 2906598

### Accessories

Base module - VIP/MSTB/D50M/BASE/16CH/CX/EX - 2908788



VIP base module with input/output accessories (IOA) provide universal channel configuration. This module with the D-SUB 50 connector is pin compatible to the Tricon CX series DCS.

---

Phoenix Contact 2020 © - all rights reserved  
<http://www.phoenixcontact.com>

PHOENIX CONTACT GmbH & Co. KG  
Flachsmarktstr. 8  
32825 Blomberg  
Germany  
Tel. +49 5235 300  
Fax +49 5235 3 41200  
<http://www.phoenixcontact.com>

## X-ON Electronics

Largest Supplier of Electrical and Electronic Components

*Click to view similar products for [I/O Modules](#) category:*

*Click to view products by [Phoenix Contact](#) manufacturer:*

Other Similar products are found below :

[70L-IDC5S](#) [70L-OAC-L](#) [70Z3289-4](#) [G21960000700](#) [G21960002700](#) [G34960002700](#) [G88104401](#) [OACU](#) [C4SWOUT](#) [PB16H](#)  
[G34960001700](#) [G3TA-OA101SZ-1](#) [DC24](#) [G77-S](#) [G78-16-E](#) [5607189](#) [DA5](#) [ODC-24A](#) [IDC5P](#) [FC6A-N16B1](#) [6421](#) [70MRCQ32-HL](#)  
[G3TAOD201SDC24](#) [C200H-LK201-V1](#) [G3TA-OA202SZ-US](#) [DC12](#) [GT1-OD16](#) [GT1-AD04CST](#) [B7AM-6BS](#) [70GRCQ24-HS](#) [6422](#)  
[84110410](#) [GT1-OD16MX](#) [G7VC-OC16-B7](#) [70MRCK24-DIN](#) [6202](#) [6402](#) [PI/NI-2D/24](#) [FC6A-J2C1](#) [FC6A-KC1C](#) [FC6A-R081](#) [FC6A-](#)  
[J8CU1](#) [GP32900003700](#) [641-480-5022](#) [PB16H](#) [84145010](#) [84110210](#) [FRUSB1601](#) [PCL-720+-BE](#) [FRRJ451601](#) [AP24MX3DB25F](#) [ADAM-](#)  
[5053S-AE](#)