

Input/output module - IOA AI/AO/BFI/DS/0.5A/EX - 2906599

Please be informed that the data shown in this PDF Document is generated from our Online Catalog. Please find the complete data in the user's documentation. Our General Terms of Use for Downloads are valid (<http://phoenixcontact.com/download>)



Fuse module for VIP I/O-Marshalling base elements with replaceable 0.5 A fuses in the field device supply path and in the signal path. Integrated test points and a disconnect knife enable uninterrupted signal measurement.

Product Description

Fuse module with replaceable 0.5 A fuse in the supply path and in the signal path. This enables field devices to be supplied with voltage directly from the base element. In addition, the I/O board is protected against short circuits in the signal lines. If a fuse fails, this is indicated by an LED. Test points and a disconnect knife are available in the signal path for uninterrupted signal measurement. The module is installed on a corresponding VIP I/O-Marshalling base element by means of plug-in contact. Installation in zone 2, "ec" type of protection is permitted.

Your advantages

- Signal line blown fuse indication
- Two-stage progressive release allowing for voltage checks with field-powered devices
- Channel for marking accessories
- Replaceable TE5-style fusing
- Signal disconnect with test points



Key Commercial Data

| | |
|--------------|---------------|
| Packing unit | 1 pc |
| GTIN | |
| GTIN | 4055626295251 |

Technical data

Dimensions

| | |
|--------|---------|
| Width | 10.3 mm |
| Height | 64.2 mm |
| Depth | 72.9 mm |

Ambient conditions

| | |
|---------------------------------|------------------|
| Ambient temperature (operation) | -40 °C ... 75 °C |
|---------------------------------|------------------|

Input/output module - IOA AI/AO/BFI/DS/0.5A/EX - 2906599

Technical data

Ambient conditions

| | |
|---|-------------------------------|
| Ambient temperature (storage/transport) | -40 °C ... 75 °C |
| Permissible humidity (operation) | 0 % ... 95 % (non-condensing) |
| Degree of protection | IP20 |

General

| | |
|----------------------------------|-----------------------|
| Nominal voltage U_N | 24 V DC |
| Max. operating voltage U_{max} | 30 V |
| Max. operating voltage | 30 V |
| Max. perm. current (per branch) | 500 mA (fuse limited) |
| Max. permissible current | 500 mA (fuse limited) |
| Status display | No |
| Mounting position | any |

Safety data

| | |
|---------------------------|--|
| Input voltage U_i | 30 V |
| Input current I_i | 500 mA |
| Inductance L_i | 0 mH |
| Capacitance C_i | 0 μ F |
| Max. output voltage U_o | U_i |
| Max. output current I_o | I_i |
| Max. output power P_o | P_i |
| FM approval | Class I, Zone 2, AEx nA ic IIC T4 Gc; AEx nA IIC T4 Gc Nonincendive: Class I, Div. 2, Groups A, B, C, D T4 With connection to Class I, II, and III, Div. 2, Groups A, B, C, D, E, F, G |
| UL, USA/Canada | Class I, Div. 2, Groups A, B, C, D T4 Class I, Zone 2, IIC T4 |
| CSA, USA/Canada | Nonincendive: Class I, Div. 2, Groups A, B, C, D T4 Connection to Class I, II, III, Div. 2, Groups A, B, C, D, E, F, G Class I, Zone 2, (A)Ex nA IIC T4 Gc; (A)Ex nA ic IIC T4 Gc |

Connection data

| | |
|-----------------------|------------------|
| Connection name | Control circuits |
| Connection method | Pin strip |
| Number of connections | 1 |
| Number of positions | 13 |

Standards and Regulations

| | |
|--|--|
| Standards/regulations | IEC 60664 |
| | DIN EN 50178 |
| Flammability rating according to UL 94 | V0 |
| Conformance | ANSI/ISA 60079-0; 60079-11; 60079-15 |
| | ANSI/IEC 60529 |
| | FM 3600; 3611; 3810 |
| UL, USA/Canada | Class I, Div. 2, Groups A, B, C, D T4 Class I, Zone 2, IIC T4 |

Input/output module - IOA AI/AO/BFI/DS/0.5A/EX - 2906599

Technical data

Standards and Regulations

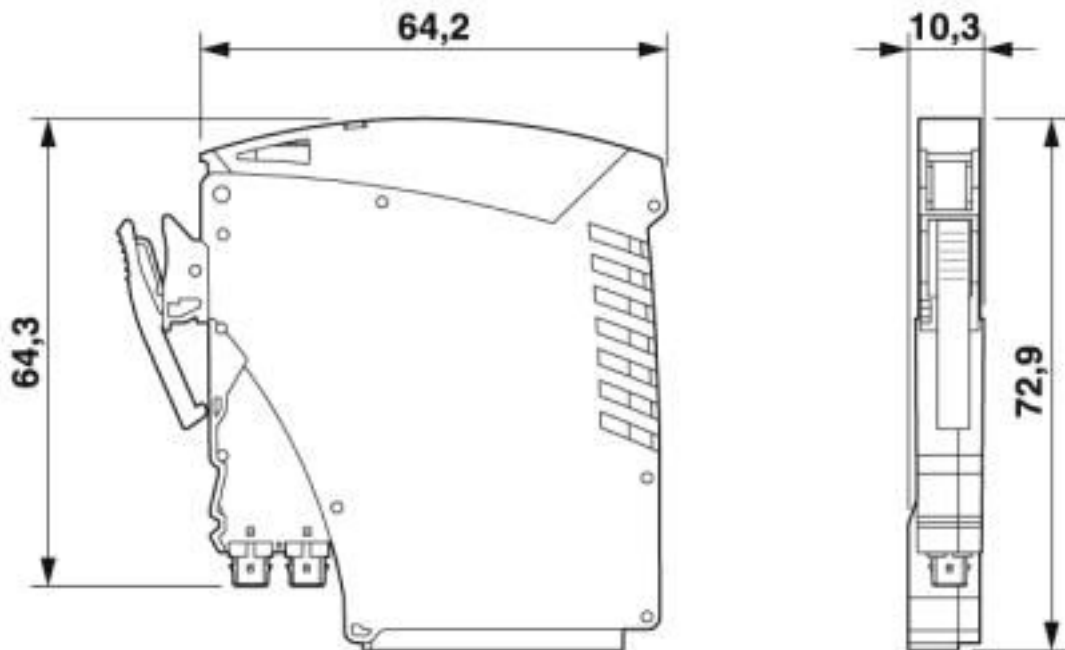
| | |
|-----------------|---|
| CSA, USA/Canada | Nonincendive: Class I, Div. 2, Groups A, B, C, D T4 Connection to Class I, II, III, Div. 2, Groups A, B, C, D, E, F, G Class I, Zone 2, (A)Ex nA IIC T4 Gc; (A)Ex nA ic IIC T4 Gc |
|-----------------|---|

Environmental Product Compliance

| | |
|------------|---|
| China RoHS | Environmentally Friendly Use Period = 50 years |
| | For details about hazardous substances go to tab "Downloads", Category "Manufacturer's declaration" |

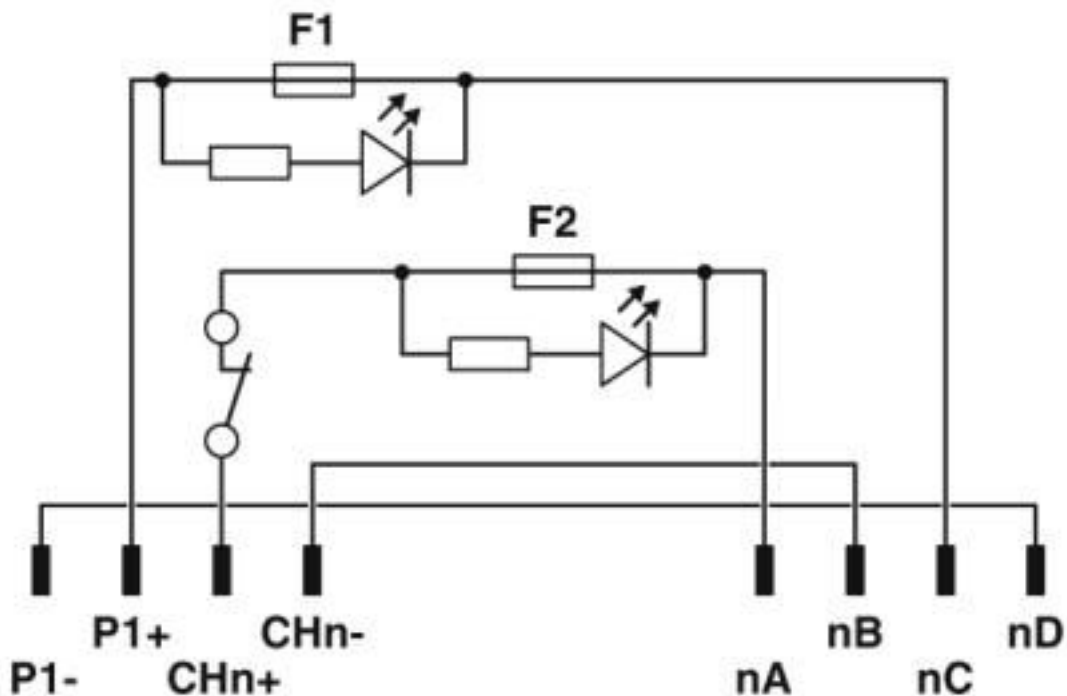
Drawings

Dimensional drawing



Input/output module - IOA AI/AO/BFI/DS/0.5A/EX - 2906599

Circuit diagram



Classifications

eCl@ss

| | |
|---------------|----------|
| eCl@ss 10.0.1 | 27141152 |
| eCl@ss 4.0 | 27250313 |
| eCl@ss 4.1 | 27250313 |
| eCl@ss 5.0 | 27250313 |
| eCl@ss 5.1 | 27250313 |
| eCl@ss 7.0 | 27141152 |
| eCl@ss 8.0 | 27141152 |
| eCl@ss 9.0 | 27141152 |

ETIM

| | |
|----------|----------|
| ETIM 4.0 | EC002780 |
| ETIM 5.0 | EC002780 |
| ETIM 6.0 | EC002780 |
| ETIM 7.0 | EC002780 |

UNSPSC

| | |
|---------------|----------|
| UNSPSC 6.01 | 30211824 |
| UNSPSC 7.0901 | 39121421 |
| UNSPSC 11 | 39121421 |
| UNSPSC 12.01 | 39121421 |

Input/output module - IOA AI/AO/BFI/DS/0.5A/EX - 2906599

Classifications

UNSPSC

| | |
|-------------|----------|
| UNSPSC 13.2 | 39121421 |
| UNSPSC 18.0 | 39121432 |
| UNSPSC 19.0 | 39121432 |
| UNSPSC 20.0 | 39121432 |
| UNSPSC 21.0 | 39121432 |

Approvals

Approvals

Approvals

Functional Safety

Ex Approvals

IECEX / ATEX / FM approved / CSA / CSAus / cCSAus

Approval details

| | |
|-------------------|------------------|
| Functional Safety | PHO 1609035 C001 |
|-------------------|------------------|

Accessories

Accessories

Marker pen

Marker pen - B-STIFT - 1051993



Marker pen, for manual labeling of unprinted Zack strips, smear-proof and waterproof, line thickness 0.5 mm

Terminal marking

Marker for terminal blocks - UC-TM 6 - 0818085



Marker for terminal blocks, Sheet, white, unlabeled, can be labeled with: BLUEMARK ID COLOR, BLUEMARK ID, BLUEMARK CLED, PLOTMARK, CMS-P1-PLOTTER, mounting type: snap into tall marker groove, for terminal block width: 6.2 mm, lettering field size: 5.6 x 10.5 mm, Number of individual labels: 80

Input/output module - IOA AI/AO/BFI/DS/0.5A/EX - 2906599

Accessories

Marker for terminal blocks - UC-TM 6 BU - 0818344



Marker for terminal blocks, Sheet, blue, unlabeled, can be labeled with: BLUEMARK ID COLOR, BLUEMARK ID, BLUEMARK CLED, PLOTMARK, CMS-P1-PLOTTER, mounting type: snap into tall marker groove, for terminal block width: 6.2 mm, lettering field size: 5.6 x 10.5 mm, Number of individual labels: 80

Zack marker strip - ZB 5,08:UNBEDRUCKT - 0809793



Zack marker strip, Strip, white, unlabeled, can be labeled with: PLOTMARK, CMS-P1-PLOTTER, mounting type: snap into tall marker groove, for terminal block width: 5.08 mm, lettering field size: 4.98 x 10.5 mm, Number of individual labels: 10

Necessary add-on products

Base module - VIP/S/MC/BASE 1-8/L/EX - 2906596



VIP base module with input/output accessories (IOA) provide universal channel configuration. This module has markings for channels 1-8.

Base module - VIP/S/MC/BASE 9-16/L/EX - 2906630



VIP base module with input/output accessories (IOA) provide universal channel configuration. This module has markings for channels 9-16.

Base module - VIP/S/MC/BASE 17-24/L/EX - 2907024



VIP base module with input/output accessories (IOA) provide universal channel configuration. This module has markings for channels 17-24.

Input/output module - IOA AI/AO/BFI/DS/0.5A/EX - 2906599

Accessories

Base module - VIP/S/MC/BASE 25-32/L/EX - 2907025



VIP base module with input/output accessories (IOA) provide universal channel configuration. This module has markings for channels 25-32.

Base module - VIP/S/MC/BASE 1-8/L/C/EX - 2907186



VIP base module with input/output accessories (IOA) provide universal channel configuration. This module has markings for channels 1-8 and includes conformal coating of the printed circuit board assembly.

Base module - VIP/S/MC/BASE 9-16/L/C/EX - 2907187



VIP base module with input/output accessories (IOA) provide universal channel configuration. This module has markings for channels 9-16 and includes conformal coating of the printed circuit board assembly.

Base module - VIP/S/MC/BASE 17-24/L/C/EX - 2907209



VIP base module with input/output accessories (IOA) provide universal channel configuration. This module has markings for channels 17-24 and includes conformal coating of the printed circuit board assembly.

Base module - VIP/S/MC/BASE 25-32/L/C/EX - 2907210



VIP base module with input/output accessories (IOA) provide universal channel configuration. This module has markings for channels 25-32 and includes conformal coating of the printed circuit board assembly.

Input/output module - IOA AI/AO/BFI/DS/0.5A/EX - 2906599

Accessories

Base module - VIP/S/D25M/BASE 1-8/L/C/EX - 2906595



VIP base module with input/output accessories (IOA) provide universal channel configuration. This module with the D-SUB 25 connector is pin compatible to the Foxboro I/A series DCS.

Spare parts

Fuse set - FUSE/TE5/500MA/F-10PCS - 2905276



Plug-in fuse (TE5[®]); nominal current: 500 mA; tripping behavior: fast-blow (F)

Phoenix Contact 2020 © - all rights reserved
<http://www.phoenixcontact.com>

PHOENIX CONTACT GmbH & Co. KG
Flachsmarktstr. 8
32825 Blomberg
Germany
Tel. +49 5235 300
Fax +49 5235 3 41200
<http://www.phoenixcontact.com>

X-ON Electronics

Largest Supplier of Electrical and Electronic Components

Click to view similar products for [I/O Modules](#) category:

Click to view products by [Phoenix Contact](#) manufacturer:

Other Similar products are found below :

[70L-IDC5S](#) [70L-OAC-L](#) [70Z3289-4](#) [G21960000700](#) [G21960002700](#) [G34960002700](#) [OACU](#) [C4SWOUT](#) [PB16H](#) [G34960001700](#) [G3TA-OA101SZ-1](#) [DC24](#) [G77-S](#) [5607189](#) [DA5](#) [ODC-24A](#) [IDC5P](#) [FC6A-N16B1](#) [6421](#) [70MRCQ32-HL](#) [G3TAOD201SDC24](#) [C200H-LK201-V1](#)
[G3TA-OA202SZ-US](#) [DC12](#) [GT1-OD16](#) [GT1-AD04CST](#) [B7AM-6BS](#) [70GRCQ24-HS](#) [6422](#) [84110410](#) [GT1-OD16MX](#) [G7VC-OC16-B7](#)
[70MRCK24-DIN](#) [6202](#) [6402](#) [PI/NI-2D/24](#) [FC6A-J2C1](#) [FC6A-KC1C](#) [FC6A-R081](#) [FC6A-J8CU1](#) [GP32900003700](#) [641-480-5022](#) [PB16H](#)
[84145010](#) [84110210](#) [FRUSB1601](#) [PCL-720+-BE](#) [FRRJ451601](#) [AP24MX3DB25F](#) [ADAM-5053S-AE](#) [WISE-S614-A](#) [C200H-OD211](#)