

# Active module - UM-D37M/16R-120AC/DI/C3/L - 2906910

Please be informed that the data shown in this PDF Document is generated from our Online Catalog. Please find the complete data in the user's documentation. Our General Terms of Use for Downloads are valid (<http://phoenixcontact.com/download>)



VARIOFACE 16-channel module enhances the capabilities of Honeywell Experion LX digital input IOTA's, enabling the use of (120 V AC) digital input signals with (24 V DC) Experion LX systems

## Your advantages

- UM-PRO housing
- DIN rail mounting, includes grounding foot
- Per channel LED (coil) signal indication
- Provides isolation between 120 V field devices and 24 V controller



## Key Commercial Data

|              |               |
|--------------|---------------|
| Packing unit | 1 pc          |
| GTIN         |               |
| GTIN         | 4055626163475 |

## Technical data

### Note

|                         |   |
|-------------------------|---|
| Utilization restriction | EMC: class A product, see manufacturer's declaration in the download area |
|-------------------------|---|

### Dimensions

|        |          |
|--------|----------|
| Width  | 184 mm   |
| Height | 142.3 mm |
| Depth  | 65.2 mm  |

### Ambient conditions

|   |                  |
|---|------------------|
| Ambient temperature (operation)         | -40 °C ... 60 °C |
| Ambient temperature (storage/transport) | -40 °C ... 70 °C |

### Input data

|                             |          |
|-----------------------------|----------|
| Nominal input voltage $U_N$ | 120 V AC |
|-----------------------------|----------|

## Active module - UM-D37M/16R-120AC/DI/C3/L - 2906910

### Technical data

#### Input data

|   |                     |
|---|---------------------|
| Input voltage range in reference to $U_N$ | 0.8 ... 1.1         |
| Typical input current at $U_N$            | 3 mA                |
| Typical response time                     | 6 ms                |
| Typical release time                      | 15 ms               |
| Type of protection                        | Free-wheeling diode |
| Protective circuit/component              | Damping diode       |
| Status display/channel                    | Yellow LED          |

#### Output data

|                             |                                  |
|-----------------------------|----------------------------------|
| Contact type                | 1 N/O contact (double contact)   |
| Contact material            | AgNi, 5 $\mu$ m hard gold-plated |
| Maximum switching voltage   | 30 V AC<br>36 V DC               |
| Minimum switching voltage   | 100 mV                           |
| Limiting continuous current | 50 mA                            |
| Min. switching current      | 1 mA                             |

#### General

|                         |                        |
|-------------------------|------------------------|
| No. of channels         | 16                     |
| With components         | yes                    |
| Mechanical service life | $2 \times 10^7$ cycles |
| Operating mode          | 100% operating factor  |
| Color                   | yellow                 |

#### Connection data

|                                  |   |
|----------------------------------|---|
| Connection name                  | Field level                                 |
| Connection method                | Screw connection                            |
| Stripping length                 | 8 mm  |
| Screw thread                     | M3  |
| Conductor cross section solid    | 0.2 mm <sup>2</sup> ... 4 mm <sup>2</sup>   |
| Conductor cross section flexible | 0.2 mm <sup>2</sup> ... 2.5 mm <sup>2</sup> |
| Conductor cross section AWG      | 24 ... 12                                   |

#### Connection data 2

|                       |                  |
|-----------------------|------------------|
| Connection name       | Controller level |
| Connection method     | D-SUB connector  |
| Number of connections | 1                |
| Number of positions   | 37               |

#### Supported controller

|                     |                                |
|---------------------|--------------------------------|
| Controller          | Honeywell Experion LX Series 8 |
| - suitable I/O card | TDILA1                         |
|                     | TDILB1                         |

# Active module - UM-D37M/16R-120AC/DI/C3/L - 2906910

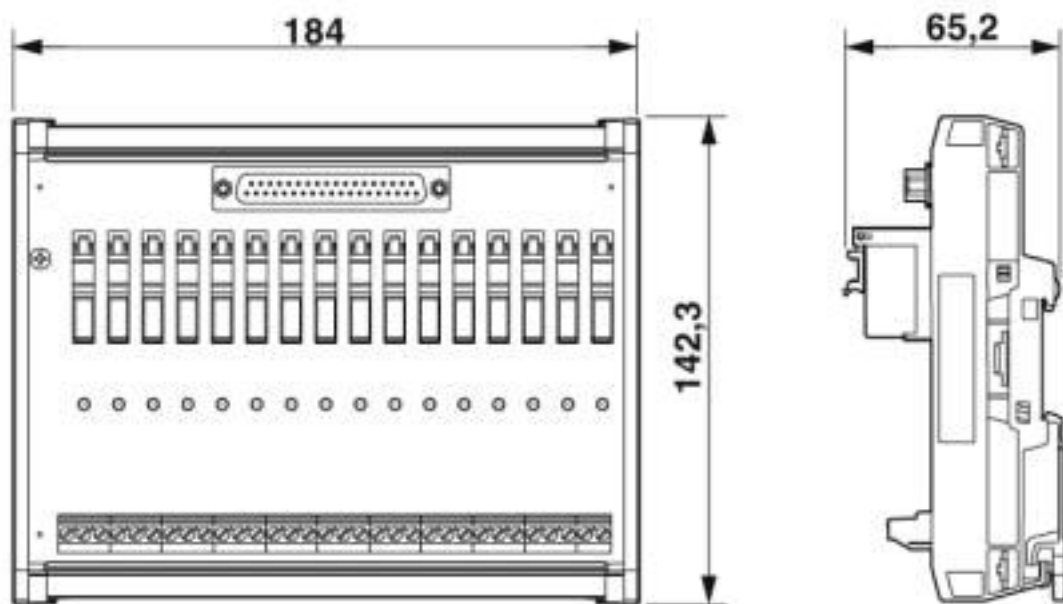
## Technical data

### Environmental Product Compliance

|            |   |
|------------|---|
| REACH SVHC | Lead 7439-92-1  |
| China RoHS | Environmentally Friendly Use Period = 50 years  |
|            | For details about hazardous substances go to tab "Downloads", Category "Manufacturer's declaration" |

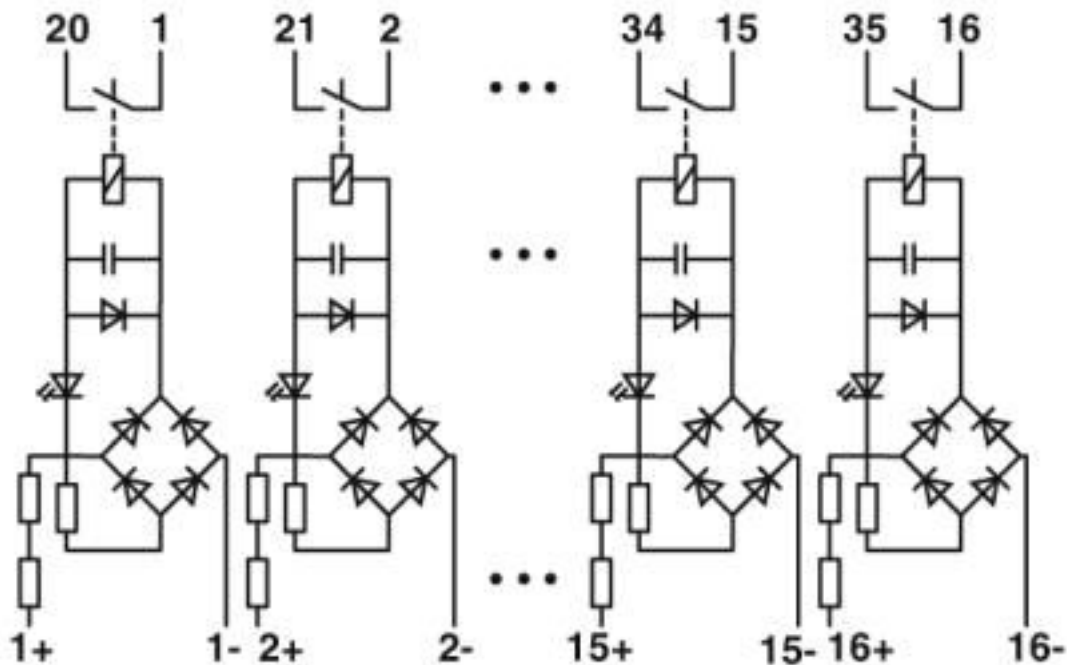
## Drawings

Dimensional drawing



# Active module - UM-D37M/16R-120AC/DI/C3/L - 2906910

Circuit diagram



## Classifications

eCl@ss

|               |          |
|---------------|----------|
| eCl@ss 10.0.1 | 27141152 |
| eCl@ss 4.0    | 27250313 |
| eCl@ss 4.1    | 27250313 |
| eCl@ss 5.0    | 27250313 |
| eCl@ss 5.1    | 27250313 |
| eCl@ss 7.0    | 27141152 |
| eCl@ss 8.0    | 27141152 |
| eCl@ss 9.0    | 27141152 |

ETIM

|          |          |
|----------|----------|
| ETIM 4.0 | EC002780 |
| ETIM 5.0 | EC002780 |
| ETIM 6.0 | EC002780 |
| ETIM 7.0 | EC002780 |

UNSPSC

|             |          |
|-------------|----------|
| UNSPSC 13.2 | 39121432 |
| UNSPSC 18.0 | 39121432 |
| UNSPSC 19.0 | 39121432 |
| UNSPSC 20.0 | 39121432 |
| UNSPSC 21.0 | 39121432 |

## Active module - UM-D37M/16R-120AC/DI/C3/L - 2906910

### Accessories

#### Accessories

#### System cable

Cable - CABLE-D37SUB/B/B/ 100/KONFEK/S - 2305509



Assembled shielded round cable; connection 1: D-SUB socket strip (1x 37-position); connection 2: D-SUB socket strip (1x 37-position); cable length: 1 m

---

Cable - CABLE-D37SUB/B/B/ 200/KONFEK/S - 2305512



Assembled shielded round cable; connection 1: D-SUB socket strip (1x 37-position); connection 2: D-SUB socket strip (1x 37-position); cable length: 2 m

---

Cable - CABLE-D37SUB/B/B/ 300/KONFEK/S - 2305525



Assembled shielded round cable; connection 1: D-SUB socket strip (1x 37-position); connection 2: D-SUB socket strip (1x 37-position); cable length: 3 m

---

Cable - CABLE-D37SUB/B/B/ 400/KONFEK/S - 2900759



Assembled shielded round cable; connection 1: D-SUB socket strip (1x 37-position); connection 2: D-SUB socket strip (1x 37-position); cable length: 4 m

---

Cable - CABLE-D37SUB/B/B/ 600/KONFEK/S - 2900760



Assembled shielded round cable; connection 1: D-SUB socket strip (1x 37-position); connection 2: D-SUB socket strip (1x 37-position); cable length: 6 m

---

## Active module - UM-D37M/16R-120AC/DI/C3/L - 2906910

### Accessories

Cable - CABLE-D37SUB/B/B/ 800/KONFEK/S - 2900761



Assembled shielded round cable; connection 1: D-SUB socket strip (1x 37-position); connection 2: D-SUB socket strip (1x 37-position); cable length: 8 m

---

Cable - CABLE-D37SUB/B/B/1000/KONFEK/S - 2900762



Assembled shielded round cable; connection 1: D-SUB socket strip (1x 37-position); connection 2: D-SUB socket strip (1x 37-position); cable length: 10 m

---

Cable - CABLE-D37SUB/B/B/1500/KONFEK/S - 2900763



Assembled shielded round cable; connection 1: D-SUB socket strip (1x 37-position); connection 2: D-SUB socket strip (1x 37-position); cable length: 15 m

---

Cable - CABLE-D37SUB/B/B/2000/KONFEK/S - 2900764



Assembled shielded round cable; connection 1: D-SUB socket strip (1x 37-position); connection 2: D-SUB socket strip (1x 37-position); cable length: 20 m

---

### Necessary add-on products

Front adapters - FLKM-PA-D37/HW/DIO/C300 - 2901423



VARIOFACE front adapter, for Honeywell C300, Series C I/O, maximum of 1 x 16 channels can be connected (37-pos. D-SUB connector). Specifically for connecting digital, redundant I/O cards.

---

### Spare parts

## Active module - UM-D37M/16R-120AC/DI/C3/L - 2906910

### Accessories

Single relay - REL-MR- 60DC/21AU - 2961134



Plug-in miniature power relay, with multi-layer gold contact, 1 PDT, input voltage 60 V DC

---

Phoenix Contact 2020 © - all rights reserved  
<http://www.phoenixcontact.com>

PHOENIX CONTACT GmbH & Co. KG  
Flachsmarktstr. 8  
32825 Blomberg  
Germany  
Tel. +49 5235 300  
Fax +49 5235 3 41200  
<http://www.phoenixcontact.com>

## X-ON Electronics

Largest Supplier of Electrical and Electronic Components

*Click to view similar products for [Terminal Block Interface Modules](#) category:*

*Click to view products by [Phoenix Contact](#) manufacturer:*

Other Similar products are found below :

[73-551-6002I](#) [GCN1MX25B](#) [DIN-50P-01](#) [DIN-68H-01](#) [DIN-96DI-01](#) [2291901](#) [2295185](#) [2907794](#) [2M10FCL](#) [FLKM-2I/O](#) [FLKM-4I/O](#)  
[2281759](#) [2906251](#) [2907808](#) [5601749](#) [5541962](#) [1776613-1](#) [GCN1-004A](#) [ADAM-3920R-AE](#) [060-6827-06](#) [2311030](#) [2287708](#) [XW2C-20G6-](#)  
[IO16](#) [GCN1-T](#) [MACX](#) [MCR-VAC](#) [5775235](#) [ADAM-3956-BE](#) [XW6T-COM2.5X20YL](#) [XW6T-COM1.5X8BL](#) [XW6T-COM1.5X16BL](#)  
[XW6T-COM1.5X20YL](#) [XW6T-COM1.5X16YL](#) [XW6T-COM1.5X20RD](#) [XW6T-COM1.5X20BL](#) [XW6T-COM2.5X8BL](#) [1976610000](#) [UM](#)  
[45-D50SUB/B/ZFKDS](#) [5541234](#) [410-261](#) [902056](#) [2906243](#) [2906915](#) [2907706](#) [ADAM-3909-AE](#) [ADAM-3920-AE](#) [ADAM-3925-AE](#)  
[ADAM-3937-BE](#) [ADAM-3950-AE](#) [ADAM-3951-BE](#) [ADAM-3968-AE](#)