

Type 1 surge protection plug - FLT-SEC-P-T1-N/PE-440/100-P - 2907263

Please be informed that the data shown in this PDF Document is generated from our Online Catalog. Please find the complete data in the user's documentation. Our General Terms of Use for Downloads are valid (<http://phoenixcontact.com/download>)




Replacement plug for lightning current arresters from the FLASHTRAB SEC product range, for the N-PE path.

Your advantages

- ✓ Spark gap has no line follow current
- ✓ Free of leakage current
- ✓ High continuous voltage of 440 V AC for 400/690 V AC networks with high voltage fluctuations
- ✓ Satisfies TOV requirements for use in IT systems
- ✓ Pluggable
- ✓ Low voltage protection level of 2.5 kV
- ✓ Optical, mechanical status indicator
- ✓ Plugs can be checked with CHECKMASTER 2



Key Commercial Data

| | |
|--------------|---|
| Packing unit | 1 pc |
| GTIN |  4 055626 176727 |
| GTIN | 4055626176727 |

Technical data

Dimensions

| | |
|------------------|---------|
| Height | 46.4 mm |
| Width | 35.5 mm |
| Depth | 59.4 mm |
| Horizontal pitch | 2 Div. |

Ambient conditions

| | |
|---|------------------|
| Degree of protection | IP20 |
| Ambient temperature (operation) | -40 °C ... 80 °C |
| Ambient temperature (storage/transport) | -40 °C ... 80 °C |

Type 1 surge protection plug - FLT-SEC-P-T1-N/PE-440/100-P - 2907263

Technical data

Ambient conditions

| | |
|----------------------------------|---|
| Altitude | ≤ 2000 m (amsl (above mean sea level)) |
| Permissible humidity (operation) | 5 % ... 95 % |
| Shock (operation) | 30g (Half-sine / 11 ms / 3x ±X, ±Y, ±Z) |
| Vibration (operation) | 5g (5 - 500 Hz/2.5 h/X, Y, Z) |

General

| | |
|--|---------------------|
| IEC test classification | I / II |
| | T1 / T2 |
| EN type | T1 / T2 |
| IEC power supply system | TT |
| Mode of protection | N-PE |
| Mounting type | on base element |
| Color | light grey RAL 7035 |
| Housing material | PA 6.6-FR 20 % GF |
| | PBT-FR |
| Degree of pollution | 2 |
| Flammability rating according to UL 94 | V-0 |
| Type | Male |
| Number of positions | 1 |
| Surge protection fault message | optical |

Protective circuit

| | |
|--|-------------------------------------|
| Nominal voltage U_N | 400 V AC (TN - only N-PE) |
| | 400 V AC (TT - only N-PE) |
| Nominal frequency f_N | 50 Hz (60 Hz) |
| Maximum continuous voltage U_C | 440 V AC |
| Residual current I_{PE} | ≤ 0.01 mA |
| Nominal discharge current I_n (8/20) μ s | 100 kA |
| Impulse discharge current (10/350) μ s, charge | 50 As |
| Impulse discharge current (10/350) μ s, specific energy | 2500 kJ/ Ω |
| Impulse discharge current (10/350) μ s, peak value I_{imp} | 100 kA |
| Follow current interrupt rating I_{fi} | 100 A (440 V AC) |
| Voltage protection level U_p | ≤ 2.5 kV |
| Residual voltage U_{res} | ≤ 2.5 kV (at I_n) |
| Front of wave sparkover voltage at 6 kV (1.2/50) μ s | ≤ 2.5 kV |
| TOV behavior at U_T | 1200 V AC (200 ms / withstand mode) |
| Response time t_A | ≤ 100 ns |

Connection data

| | |
|-------------------|-----------|
| Connection method | pluggable |
|-------------------|-----------|

UL specifications

Type 1 surge protection plug - FLT-SEC-P-T1-N/PE-440/100-P - 2907263

Technical data

UL specifications

| | |
|---|----------|
| SPD Type | 1CA |
| Maximum continuous operating voltage MCOV | 440 V AC |
| Mode of protection | N-G |
| Nominal frequency | 50/60 Hz |
| Voltage protection rating VPR | 1500 V |
| Nominal discharge current I_n | 20 kA |

Standards and Regulations

| | |
|-----------------------|-------------------|
| Standards/regulations | IEC 61643-11 2011 |
| | EN 61643-11 2012 |

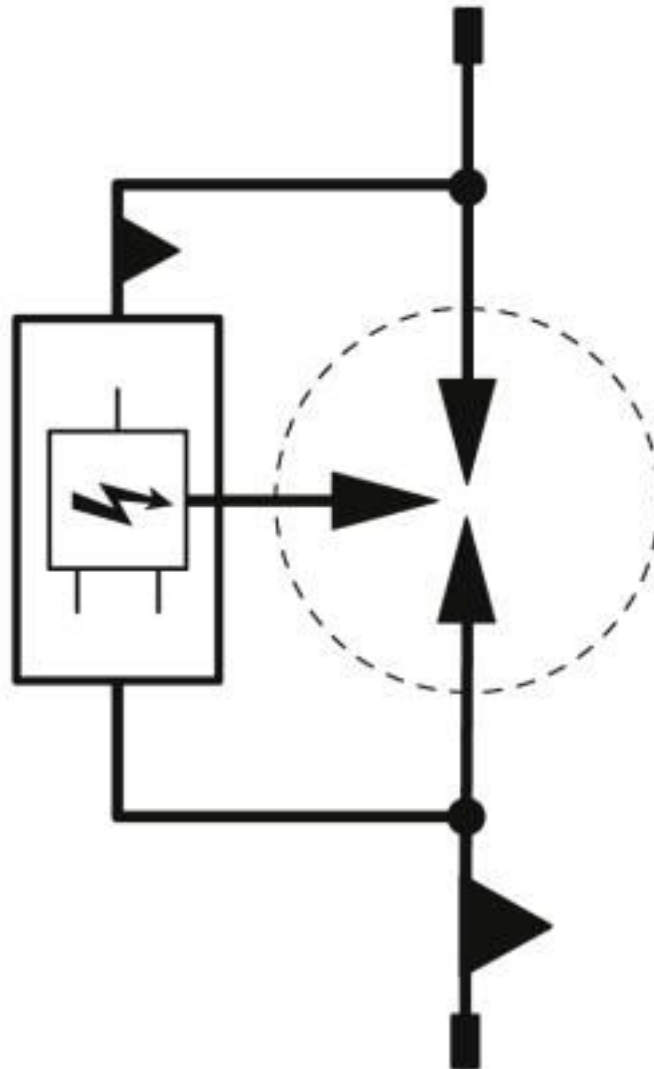
Environmental Product Compliance

| | |
|------------|---|
| REACH SVHC | Lead 7439-92-1 |
| China RoHS | Environmentally Friendly Use Period = 50 years |
| | For details about hazardous substances go to tab "Downloads", Category "Manufacturer's declaration" |

Drawings

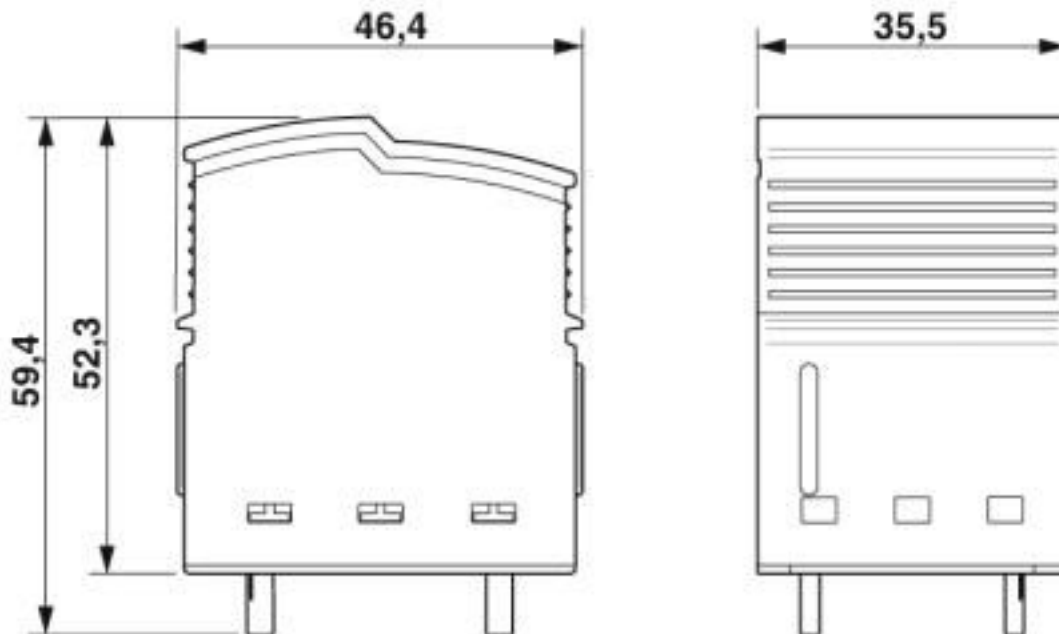
Type 1 surge protection plug - FLT-SEC-P-T1-N/PE-440/100-P - 2907263

Circuit diagram



Type 1 surge protection plug - FLT-SEC-P-T1-N/PE-440/100-P - 2907263

Dimensional drawing



Classifications

eCl@ss

| | |
|---------------|----------|
| eCl@ss 10.0.1 | 27130890 |
| eCl@ss 4.0 | 27130800 |
| eCl@ss 4.1 | 27130800 |
| eCl@ss 5.0 | 27130800 |
| eCl@ss 5.1 | 27130800 |
| eCl@ss 6.0 | 27130800 |
| eCl@ss 7.0 | 27130802 |
| eCl@ss 8.0 | 27130890 |
| eCl@ss 9.0 | 27130890 |

ETIM

| | |
|----------|----------|
| ETIM 4.0 | EC000381 |
| ETIM 5.0 | EC002496 |
| ETIM 6.0 | EC000381 |
| ETIM 7.0 | EC000381 |

UNSPSC

| | |
|-------------|----------|
| UNSPSC 13.2 | 39121620 |
| UNSPSC 18.0 | 39121620 |
| UNSPSC 19.0 | 39121620 |
| UNSPSC 20.0 | 39121620 |
| UNSPSC 21.0 | 39121620 |

Type 1 surge protection plug - FLT-SEC-P-T1-N/PE-440/100-P - 2907263

Approvals

Approvals

Approvals

EAC / UL Recognized / cUL Recognized / cULus Recognized

Ex Approvals

Approval details

| | | | |
|-----|--|--|---------------------|
| EAC | | | RU C-DE.*09.B.00169 |
|-----|--|--|---------------------|

| | | | |
|---------------|--|---|---------------|
| UL Recognized | | http://database.ul.com/cgi-bin/XYV/template/LISEXT/1FRAME/index.htm | FILE E 330181 |
|---------------|--|---|---------------|

| | | | |
|----------------|--|---|---------------|
| cUL Recognized | | http://database.ul.com/cgi-bin/XYV/template/LISEXT/1FRAME/index.htm | FILE E 330181 |
|----------------|--|---|---------------|

| | | | |
|------------------|--|--|--|
| cULus Recognized | | | |
|------------------|--|--|--|

Accessories

Accessories

Device marking

Label - EML (20XE)R - 0803452



Label, Roll, white, unlabeled, can be labeled with: THERMOMARK ROLLMASTER 300/600, THERMOMARK X1.2, THERMOMARK ROLL X1, THERMOMARK ROLL 2.0, THERMOMARK ROLL, mounting type: adhesive, lettering field size: continuous x 20#mm

Type 1 surge protection plug - FLT-SEC-P-T1-N/PE-440/100-P - 2907263

Accessories

Label - EML (20XE)R YE - 0803453



Label, Roll, yellow, unlabeled, can be labeled with: THERMOMARK ROLLMASTER 300/600, THERMOMARK X1.2, THERMOMARK ROLL X1, THERMOMARK ROLL 2.0, THERMOMARK ROLL, mounting type: adhesive, lettering field size: continuous x 20#mm

Marker pen

Marker pen - B-STIFT - 1051993



Marker pen, for manual labeling of unprinted Zack strips, smear-proof and waterproof, line thickness 0.5 mm

Phoenix Contact 2020 © - all rights reserved
<http://www.phoenixcontact.com>

PHOENIX CONTACT GmbH & Co. KG
Flachsmarktstr. 8
32825 Blomberg
Germany
Tel. +49 5235 300
Fax +49 5235 3 41200
<http://www.phoenixcontact.com>

X-ON Electronics

Largest Supplier of Electrical and Electronic Components

Click to view similar products for [Surge Suppressors](#) category:

Click to view products by [Phoenix Contact](#) manufacturer:

Other Similar products are found below :

[GUS1](#) [GUS12](#) [BSPM1A600D600LVR](#) [2800521](#) [29-2053](#) [GUS11](#) [GUS2](#) [GUS3](#) [30460](#) [SRA64C060X](#) [PC642C015](#) [1810-15-A3](#) [2713175](#)
[4B06B-EC1-150LF](#) [SRA6LC](#) [BPMA75D100LV](#) [CX06M](#) [CCTV1](#) [GUS13](#) [GUS14](#) [GUS5](#) [GUS6](#) [VAL-MS 320/3+0-FM](#) [VAL-US-](#)
[120/40/1+1-FM](#) [VAL-US-120/65/1+1-FM](#) [VAL-US-480D/30/3+0-FM](#) [VAL-US-120/40/1+0-FM](#) [LP-BFDN-CW](#) [LP-STRL-NFF](#) [LP-STRL-](#)
[DFF](#) [GUS22](#) [0804111](#) [5053609](#) [5053201](#) [SPD2-150-1P0](#) [SPD2-550-1P0](#) [6720005416](#) [6720005417](#) [1-2191595-2](#) [STC-CAT6-P0E-I](#) [SPD2-](#)
[350-1P0](#) [FLT-CP-350-ST](#) [TTC-6P-3-HF-F-M-12DC-UT-I](#) [SMTPA200](#) [2800989](#) [2906776](#) [2906810](#) [2906847](#) [2906848](#) [2906851](#)