

Front adapters - FLKM 50-PA/PT/DIO/S7-1500 - 2907384

Please be informed that the data shown in this PDF Document is generated from our Online Catalog. Please find the complete data in the user's documentation. Our General Terms of Use for Downloads are valid (<http://phoenixcontact.com/download>)



VARIOFACE front adapter with Push-in connection, for SIMATIC® S7-1500 digital 35 mm modules, 1x 32 channels can be connected.

Key Commercial Data

Packing unit	1 pc
GTIN	
GTIN	4055626256610

Technical data

Dimensions

Width	25.4 mm
Height	130.5 mm
Depth	45.5 mm

Ambient conditions

Ambient temperature (operation)	-25 °C ... 60 °C
Ambient temperature (storage/transport)	-40 °C ... 70 °C
Degree of protection	IP20

General

Max. permissible operating voltage	< 50 V DC
Max. permissible current	1 A (per path)
Max. permissible total current	2 A (per byte when supplying from the module side)
	12 A (When supplying via the front adapter)
Nominal operating mode	100% operating factor

Standards and Regulations

Standards/regulations	IEC 61131-2
Rated surge voltage	0.5 kV

Front adapters - FLKM 50-PA/PT/DIO/S7-1500 - 2907384

Technical data

Standards and Regulations

Pollution degree	2
Overvoltage category	II

Connection data

Connection name	Field level
Connection method	IDC/FLK pin strip
Number of connections	1
Number of positions	50
Pitch	2.54 mm

Connection data 2

Connection name	Supply
Connection method	Push-in connection

Supported controller

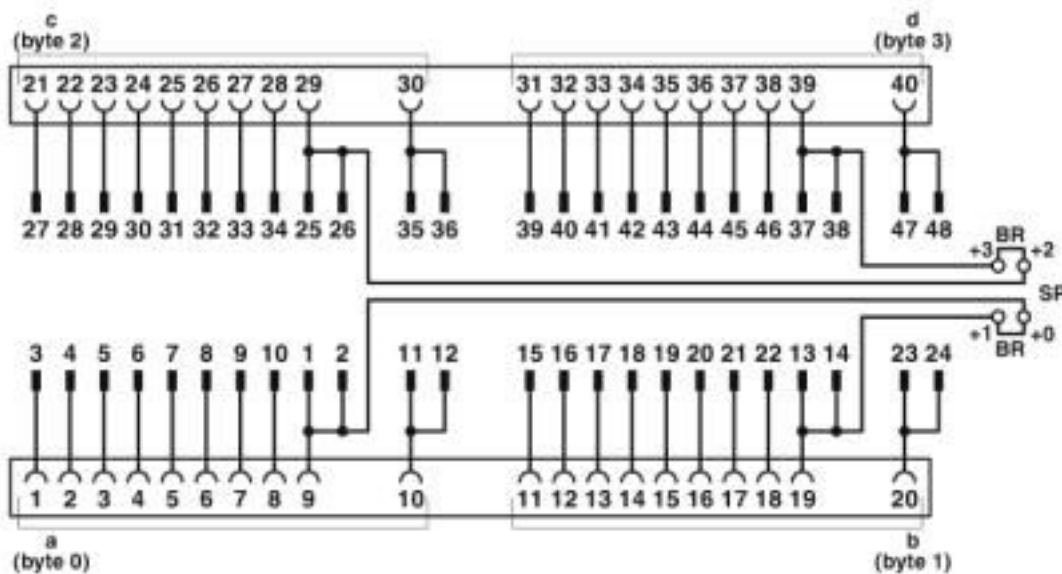
Controller	SIEMENS S7-1500
- suitable I/O card	6ES7 521-1BL00-0AB0
	6ES7 522-1BL00-0AB0
	6ES7 522-1BL01-0AB0

Environmental Product Compliance

China RoHS	Environmentally Friendly Use Period = 50 years
	For details about hazardous substances go to tab "Downloads", Category "Manufacturer's declaration"

Drawings

Circuit diagram



Front adapters - FLKM 50-PA/PT/DIO/S7-1500 - 2907384

Classifications

eCl@ss

eCl@ss 10.0.1	27242292
eCl@ss 5.0	27249290
eCl@ss 5.1	27249290
eCl@ss 6.0	27249200
eCl@ss 7.0	27249290
eCl@ss 8.0	27249290
eCl@ss 9.0	27242292

ETIM

ETIM 4.0	EC002584
ETIM 5.0	EC002584
ETIM 6.0	EC002584
ETIM 7.0	EC002584

UNSPSC

UNSPSC 13.2	32151601
UNSPSC 18.0	32151601
UNSPSC 19.0	32151601
UNSPSC 20.0	32151601
UNSPSC 21.0	32151601

Approvals

Approvals

Approvals

UL Listed / cUL Listed / EAC / cULus Listed

Ex Approvals


Approval details

UL Listed		http://database.ul.com/cgi-bin/XYV/template/LISEXT/1FRAME/index.htm	FILE E 238705
-----------	--	---	---------------

cUL Listed		http://database.ul.com/cgi-bin/XYV/template/LISEXT/1FRAME/index.htm	FILE E 238705
------------	--	---	---------------

Front adapters - FLKM 50-PA/PT/DIO/S7-1500 - 2907384

Approvals

EAC		RU C- DE.A*30.B00767
-----	---	-------------------------

cULus Listed		
--------------	---	--

Accessories

Accessories

Controller board

Passive module - VIP-2/SC/FLK50/PLC - 2315227



VARIOFACE interface module for 32 channels

Passive module - VIP-2/PT/FLK50/PLC - 2903803



VARIOFACE interface module, with push-in connection, for 32 channels

Passive module - VIP-2/SC/FLK50/LED/PLC - 2322252



VARIOFACE interface module, with LED, for 32 channels

Passive module - VIP-2/PT/FLK50/LED/PLC - 2904280



VARIOFACE interface module, with push-in connection and light indicator, for 32 channels

Front adapters - FLKM 50-PA/PT/DIO/S7-1500 - 2907384

Accessories

Passive module - FLKMS 50/32IM/LA/PLC - 2284510



VARIOFACE sensor module, for connecting 32 p-n-p sensors, with LED

Passive module - VIP-2/SC/FLK14/PLC - 2315214



VARIOFACE interface module for 8 channels

Passive module - VIP-2/PT/FLK14/PLC - 2903801



VARIOFACE interface module, with push-in connection for 8 channels

System connection - PLC-V8/FLK14/OUT - 2295554



V8 adapter for 8 x PLC-INTERFACE (6.2 mm), controller: PLC system cabling of output cards, connection 1: Screw connection 1x, connection 2: IDC/FLK pin strip 1x 14-position, connection 3: Plug connection (Can be snapped onto 8x PLC-INTERFACE terminals), number of channels: 8, control logic: positive switching

System connection - PLC-V8/FLK14/IN - 2296553



V8 adapter for 8 x PLC-INTERFACE (6.2 mm), controller: PLC system cabling of input cards, connection 1: Screw connection 1x, connection 2: IDC/FLK pin strip 1x 14-position, connection 3: Plug connection (Can be snapped onto 8x PLC-INTERFACE terminals), number of channels: 8, control logic: positive switching

Front adapters - FLKM 50-PA/PT/DIO/S7-1500 - 2907384

Accessories

System connection - PLC-V8L/FLK14/OUT - 2299660



V8 adapter for 8 x PLC-INTERFACE (14 mm), controller: PLC system cabling of output cards, connection 1: Screw connection 1x, connection 2: IDC/FLK pin strip 1x 14-position, connection 3: Plug connection (Can be snapped onto 8x PLC-INTERFACE terminals), number of channels: 8, control logic: positive switching

Interface module

Interface module - FLKM 50/KDS3-MT/PPA/S7-1500 - 2909893



VARIOFACE termination board for Siemens SIMATIC® S7-1500, with SIMATIC®-specific marking (1 - 40), knife disconnect terminal block, and test point

System cable

Cable - FLK 50/EZ-DR/ 100/KONFEK - 2289078



Round cable set; connection 1: IDC/FLK socket strip (1x 50-position); connection 2: IDC/FLK socket strip (1x 50-position); cable length: 1 m

Cable - FLK 50/EZ-DR/ 200/KONFEK - 2289094



Round cable set; connection 1: IDC/FLK socket strip (1x 50-position); connection 2: IDC/FLK socket strip (1x 50-position); cable length: 2 m

Cable - FLK 50/EZ-DR/ 300/KONFEK - 2289117



Round cable set; connection 1: IDC/FLK socket strip (1x 50-position); connection 2: IDC/FLK socket strip (1x 50-position); cable length: 3 m

Front adapters - FLKM 50-PA/PT/DIO/S7-1500 - 2907384

Accessories

Cable - FLK 50/EZ-DR/ 400/KONFEK - 2289133



Round cable set; connection 1: IDC/FLK socket strip (1x 50-position); connection 2: IDC/FLK socket strip (1x 50-position); cable length: 4 m

Cable - FLK 50/EZ-DR/ 500/KONFEK - 2289586



Round cable set; connection 1: IDC/FLK socket strip (1x 50-position); connection 2: IDC/FLK socket strip (1x 50-position); cable length: 5 m

Cable - FLK 50/EZ-DR/ 100/KONFEK/S - 2299107



Assembled shielded round cable; connection 1: IDC/FLK socket strip (1x 50-position); connection 2: IDC/FLK socket strip (1x 50-position) (The braided shield is routed to a separate cable end.); cable length: 1 m

Cable - FLK 50/EZ-DR/ 200/KONFEK/S - 2299123



Assembled shielded round cable; connection 1: IDC/FLK socket strip (1x 50-position); connection 2: IDC/FLK socket strip (1x 50-position) (The braided shield is routed to a separate cable end.); cable length: 2 m

Cable - FLK 50/EZ-DR/ 300/KONFEK/S - 2299136



Assembled shielded round cable; connection 1: IDC/FLK socket strip (1x 50-position); connection 2: IDC/FLK socket strip (1x 50-position) (The braided shield is routed to a separate cable end.); cable length: 3 m

Front adapters - FLKM 50-PA/PT/DIO/S7-1500 - 2907384

Accessories

Cable - FLK 50/EZ-DR/ 400/KONFEK/S - 2299149



Assembled shielded round cable; connection 1: IDC/FLK socket strip (1x 50-position); connection 2: IDC/FLK socket strip (1x 50-position) (The braided shield is routed to a separate cable end.); cable length: 4 m

Cable - CABLE-FLK50/0,14/HF/ 1,0M - 2314147



Assembled, halogen-free round cable; connection 1: IDC/FLK socket strip (1x 50-position); connection 2: IDC/FLK socket strip (1x 50-position); cable length: 1 m

Cable - CABLE-FLK50/0,14/HF/ 2,0M - 2314163



Assembled, halogen-free round cable; connection 1: IDC/FLK socket strip (1x 50-position); connection 2: IDC/FLK socket strip (1x 50-position); cable length: 2 m

Cable - CABLE-FLK50/0,14/HF/ 3,0M - 2314189



Assembled, halogen-free round cable; connection 1: IDC/FLK socket strip (1x 50-position); connection 2: IDC/FLK socket strip (1x 50-position); cable length: 3 m

Cable - CABLE-FLK50/0,14/HF/ 4,0M - 2314192



Assembled, halogen-free round cable; connection 1: IDC/FLK socket strip (1x 50-position); connection 2: IDC/FLK socket strip (1x 50-position); cable length: 4 m

Front adapters - FLKM 50-PA/PT/DIO/S7-1500 - 2907384

Accessories

Cable - CABLE-FLK50/0,14/HF/ 5,0M - 2314202



Assembled, halogen-free round cable; connection 1: IDC/FLK socket strip (1x 50-position); connection 2: IDC/FLK socket strip (1x 50-position); cable length: 5 m

Phoenix Contact 2020 © - all rights reserved
<http://www.phoenixcontact.com>

PHOENIX CONTACT GmbH & Co. KG
Flachsmarktstr. 8
32825 Blomberg
Germany
Tel. +49 5235 300
Fax +49 5235 3 41200
<http://www.phoenixcontact.com>

X-ON Electronics

Largest Supplier of Electrical and Electronic Components

Click to view similar products for [Terminal Block Interface Modules](#) category:

Click to view products by [Phoenix Contact](#) manufacturer:

Other Similar products are found below :

[73-551-6002I](#) [GCN1MX25B](#) [DIN-50P-01](#) [DIN-68H-01](#) [DIN-96DI-01](#) [2291901](#) [2295185](#) [2907794](#) [2M10FCL](#) [FLKM-2I/O](#) [FLKM-4I/O](#)
[2281759](#) [2906251](#) [2907808](#) [5601749](#) [5541962](#) [1776613-1](#) [GCN1-004A](#) [ADAM-3920R-AE](#) [060-6827-06](#) [2311030](#) [2287708](#) [XW2C-20G6-](#)
[IO16](#) [GCN1-T](#) [MACX](#) [MCR-VAC](#) [5775235](#) [ADAM-3956-BE](#) [XW6T-COM2.5X20YL](#) [XW6T-COM1.5X8BL](#) [XW6T-COM1.5X16BL](#)
[XW6T-COM1.5X20YL](#) [XW6T-COM1.5X16YL](#) [XW6T-COM1.5X20RD](#) [XW6T-COM1.5X20BL](#) [XW6T-COM2.5X8BL](#) [1976610000](#) [UM](#)
[45-D50SUB/B/ZFKDS](#) [5541234](#) [410-261](#) [902056](#) [2906243](#) [2906915](#) [2907706](#) [ADAM-3909-AE](#) [ADAM-3920-AE](#) [ADAM-3925-AE](#)
[ADAM-3937-BE](#) [ADAM-3950-AE](#) [ADAM-3951-BE](#) [ADAM-3968-AE](#)