


Front adapters - FLKM 4X14-PA/AN/S7-1500 - 2907385

Please be informed that the data shown in this PDF Document is generated from our Online Catalog. Please find the complete data in the user's documentation. Our General Terms of Use for Downloads are valid (<http://phoenixcontact.com/download>)



VARIOFACE front adapter, for SIMATIC® S7-1500 analog 35 mm modules, 4x 2 or 2x 2 channels can be connected (40 or 20-pos. modules).

Key Commercial Data

Packing unit	1 pc
GTIN	 4 055626 255712
GTIN	4055626255712

Technical data

Dimensions

Width	25.4 mm
Height	130.5 mm
Depth	45.5 mm

Ambient conditions

Ambient temperature (operation)	-25 °C ... 60 °C
Ambient temperature (storage/transport)	-40 °C ... 70 °C
Degree of protection	IP00

General

Max. permissible operating voltage	< 50 V DC
Max. permissible current	1 A (per path)
Nominal operating mode	100% operating factor

Standards and Regulations

Standards/regulations	IEC 61131-2
Rated surge voltage	0.5 kV
Pollution degree	2
Overvoltage category	II

Front adapters - FLKM 4X14-PA/AN/S7-1500 - 2907385

Technical data

Connection data

Connection name	Field level
Connection method	IDC/FLK pin strip
Number of connections	4
Number of positions	14
Channels which can be connected	8
Pitch	2.54 mm

Connection data 2

Connection name	Field level
Connection method	IDC/FLK pin strip
Number of connections	2
Number of positions	14
Channels which can be connected	4
Pitch	2.54 mm

Supported controller

Controller	SIEMENS S7-1500
- suitable I/O card	6ES7 531-7NF10-0AB0
	6ES7 531-7KF00-0AB0
	6ES7 532-5HF00-0AB0
	6ES7 532-5HD00-0AB0
	6ES7 531-7NF00-0AB0
	6ES7 531-7PF00-0AB0
	6ES7 532-5ND00-0AB0

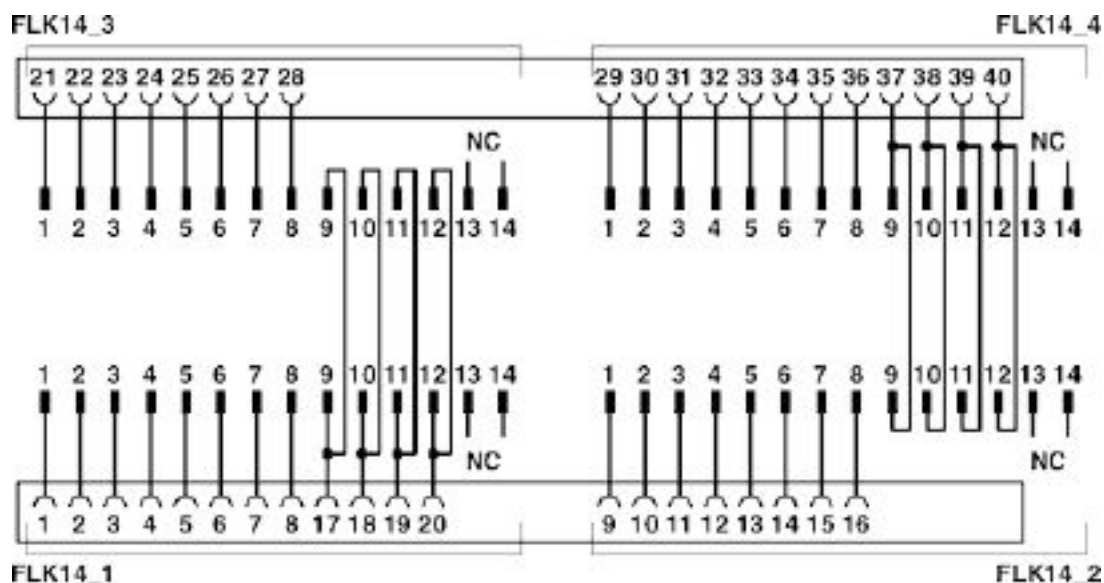
Environmental Product Compliance

China RoHS	Environmentally Friendly Use Period = 50 years
	For details about hazardous substances go to tab "Downloads", Category "Manufacturer's declaration"

Drawings

Front adapters - FLKM 4X14-PA/AN/S7-1500 - 2907385

Circuit diagram



Connection scheme FLKM 4X14-PA/AN/S7-1500

Classifications

eCl@ss

eCl@ss 10.0.1	27242292
eCl@ss 5.0	27249290
eCl@ss 5.1	27249290
eCl@ss 6.0	27249200
eCl@ss 7.0	27249290
eCl@ss 8.0	27249290
eCl@ss 9.0	27242292

ETIM

ETIM 4.0	EC002584
ETIM 5.0	EC002584
ETIM 6.0	EC002584
ETIM 7.0	EC002584

UNSPSC

UNSPSC 13.2	32151601
UNSPSC 18.0	32151601
UNSPSC 19.0	32151601
UNSPSC 20.0	32151601
UNSPSC 21.0	32151601

Front adapters - FLKM 4X14-PA/AN/S7-1500 - 2907385

Approvals

Approvals

Approvals

UL Listed / cUL Listed / EAC / cULus Listed

Ex Approvals

Approval details

UL Listed		http://database.ul.com/cgi-bin/XYV/template/LISEXT/1FRAME/index.htm	FILE E 238705
-----------	--	---	---------------

cUL Listed		http://database.ul.com/cgi-bin/XYV/template/LISEXT/1FRAME/index.htm	FILE E 238705
------------	--	---	---------------

EAC			RU C- DE.A*30.B00767
-----	--	--	-------------------------

cULus Listed			
--------------	--	--	--

Accessories

Accessories

Interface module

Passive module - VIP-3/PT/2FLK14/AN/2P/S7-1500A - 2908465



VARIOFACE COMPACT LINE interface module for Siemens S7-1500 systems with S7-1500 specific labeling, for channels 1-16, with push-in connection, module width: 82.5 mm

Front adapters - FLKM 4X14-PA/AN/S7-1500 - 2907385

Accessories

Passive module - VIP-3/SC/2FLK14/AN/2P/S7-1500A - 2908464



VARIOFACE COMPACT LINE interface module for Siemens S7-1500 systems with S7-1500 specific labeling, for channels 1-16, with screw connection, module width: 82.5 mm

Passive module - VIP-3/PT/2FLK14/AN/2P/S7-1500B - 2908846



VARIOFACE COMPACT LINE interface module for Siemens S7-1500 systems with S7-1500 specific labeling, for channels 21-36, with push-in connection, module width: 82.5 mm

Passive module - VIP-3/SC/2FLK14/AN/2P/S7-1500B - 2908845



VARIOFACE COMPACT LINE interface module for Siemens S7-1500 systems with S7-1500 specific labeling, for channels 21-36, with screw connection, module width: 82.5 mm

Interface module - FLKM-2FLK14/KDS3-MT/AN/S7-1500 - 2909894



VARIOFACE termination board for Siemens SIMATIC® S7-1500 analog modules, for max. 2x 2 channels with SIMATIC®-specific marking, knife disconnect terminal block, and test point, as well as power supply terminal blocks

System cable

Cable - FLK 14/EZ-DR/ 100/KONFEK - 2288914



Round cable set; connection 1: IDC/FLK socket strip (1x 14-position); connection 2: IDC/FLK socket strip (1x 14-position); cable length: 1 m

Front adapters - FLKM 4X14-PA/AN/S7-1500 - 2907385

Accessories

Cable - FLK 14/EZ-DR/ 200/KONFEK - 2288930



Round cable set; connection 1: IDC/FLK socket strip (1x 14-position); connection 2: IDC/FLK socket strip (1x 14-position); cable length: 2 m

Cable - FLK 14/EZ-DR/ 300/KONFEK - 2288956



Round cable set; connection 1: IDC/FLK socket strip (1x 14-position); connection 2: IDC/FLK socket strip (1x 14-position); cable length: 3 m

Cable - FLK 14/EZ-DR/ 400/KONFEK - 2288972



Round cable set; connection 1: IDC/FLK socket strip (1x 14-position); connection 2: IDC/FLK socket strip (1x 14-position); cable length: 4 m

Cable - FLK 14/EZ-DR/ 500/KONFEK - 2290834



Round cable set; connection 1: IDC/FLK socket strip (1x 14-position); connection 2: IDC/FLK socket strip (1x 14-position); cable length: 5 m

Cable - FLK 14/EZ-DR/ 100/KONFEK/S - 2296980



Assembled shielded round cable; connection 1: IDC/FLK socket strip (1x 14-position); connection 2: IDC/FLK socket strip (1x 14-position) (The braided shield is routed to a separate cable end.); cable length: 1 m

Front adapters - FLKM 4X14-PA/AN/S7-1500 - 2907385

Accessories

Cable - FLK 14/EZ-DR/ 200/KONFEK/S - 2297002



Assembled shielded round cable; connection 1: IDC/FLK socket strip (1x 14-position); connection 2: IDC/FLK socket strip (1x 14-position) (The braided shield is routed to a separate cable end.); cable length: 2 m

Cable - FLK 14/EZ-DR/ 300/KONFEK/S - 2299013



Assembled shielded round cable; connection 1: IDC/FLK socket strip (1x 14-position); connection 2: IDC/FLK socket strip (1x 14-position) (The braided shield is routed to a separate cable end.); cable length: 3 m

Cable - FLK 14/EZ-DR/ 400/KONFEK/S - 2299026



Assembled shielded round cable; connection 1: IDC/FLK socket strip (1x 14-position); connection 2: IDC/FLK socket strip (1x 14-position) (The braided shield is routed to a separate cable end.); cable length: 4 m

Cable - FLK 14/EZ-DR/HF/ 100/KONFEK - 2305965



Assembled, halogen-free round cable; connection 1: IDC/FLK socket strip (1x 14-position); connection 2: IDC/FLK socket strip (1x 14-position); cable length: 1 m

Cable - FLK 14/EZ-DR/HF/ 200/KONFEK - 2305981



Assembled, halogen-free round cable; connection 1: IDC/FLK socket strip (1x 14-position); connection 2: IDC/FLK socket strip (1x 14-position); cable length: 2 m

Front adapters - FLKM 4X14-PA/AN/S7-1500 - 2907385

Accessories

Cable - FLK 14/EZ-DR/HF/ 300/KONFEK - 2304759



Assembled, halogen-free round cable; connection 1: IDC/FLK socket strip (1x 14-position); connection 2: IDC/FLK socket strip (1x 14-position); cable length: 3 m

Cable - FLK 14/EZ-DR/HF/ 400/KONFEK - 2304762



Assembled, halogen-free round cable; connection 1: IDC/FLK socket strip (1x 14-position); connection 2: IDC/FLK socket strip (1x 14-position); cable length: 4 m

Cable - FLK 14/EZ-DR/HF/ 500/KONFEK - 2304717



Assembled, halogen-free round cable; connection 1: IDC/FLK socket strip (1x 14-position); connection 2: IDC/FLK socket strip (1x 14-position); cable length: 5 m

Phoenix Contact 2020 © - all rights reserved
<http://www.phoenixcontact.com>

PHOENIX CONTACT GmbH & Co. KG
Flachsmarktstr. 8
32825 Blomberg
Germany
Tel. +49 5235 300
Fax +49 5235 3 41200
<http://www.phoenixcontact.com>

X-ON Electronics

Largest Supplier of Electrical and Electronic Components

Click to view similar products for [Terminal Block Interface Modules](#) category:

Click to view products by [Phoenix Contact](#) manufacturer:

Other Similar products are found below :

[73-551-6002I](#) [GCN1MX25B](#) [DIN-50P-01](#) [DIN-68H-01](#) [DIN-96DI-01](#) [2291901](#) [2295185](#) [2907794](#) [2M10FCL](#) [FLKM-2I/O](#) [FLKM-4I/O](#)
[2281759](#) [2906251](#) [2907808](#) [5601749](#) [5541962](#) [1776613-1](#) [GCN1-004A](#) [ADAM-3920R-AE](#) [060-6827-06](#) [2311030](#) [2287708](#) [XW2C-20G6-](#)
[IO16](#) [GCN1-T](#) [MACX](#) [MCR-VAC](#) [5775235](#) [ADAM-3956-BE](#) [XW6T-COM2.5X20YL](#) [XW6T-COM1.5X8BL](#) [XW6T-COM1.5X16BL](#)
[XW6T-COM1.5X20YL](#) [XW6T-COM1.5X16YL](#) [XW6T-COM1.5X20RD](#) [XW6T-COM1.5X20BL](#) [XW6T-COM2.5X8BL](#) [1976610000](#) [UM](#)
[45-D50SUB/B/ZFKDS](#) [5541234](#) [410-261](#) [902056](#) [2906243](#) [2906915](#) [2907706](#) [ADAM-3909-AE](#) [ADAM-3920-AE](#) [ADAM-3925-AE](#)
[ADAM-3937-BE](#) [ADAM-3950-AE](#) [ADAM-3951-BE](#) [ADAM-3968-AE](#)