

# Surge protection plug - TTC-6P-1X2-EX-24DC-I-P - 2907831


Please be informed that the data shown in this PDF Document is generated from our Online Catalog. Please find the complete data in the user's documentation. Our General Terms of Use for Downloads are valid (<http://phoenixcontact.com/download>)



Surge protection plug with integrated status indicator on the module for one 2-wire floating Ex i signal circuit. Nominal voltage: 24 V DC



## Key Commercial Data

|              |   |
|--------------|---|
| Packing unit | 1 pc  |
| GTIN         | <br>4 0 5 5 6 2 6 3 7 8 8 7 9 |
| GTIN         | 4055626378879   |

## Technical data

### Dimensions

|        |                |
|--------|----------------|
| Height | 39 mm          |
| Width  | 6.2 mm +0.1 mm |
| Depth  | 60.3 mm        |

### Ambient conditions

|   |  |
|---|--|
| Ambient temperature (operation)         | -40 °C ... 85 °C                       |
| Ambient temperature (storage/transport) | -40 °C ... 85 °C                       |
| Permissible humidity (operation)        | 5 % ... 95 %                           |
| Altitude                                | ≤ 2000 m (amsl (above mean sea level)) |
| Degree of protection                    | IP20                                   |

### General

|  |                   |
|--|-------------------|
| Housing material                       | PBT               |
| Flammability rating according to UL 94 | V-0               |
| Color                                  | sky blue RAL 5015 |
| Mounting type                          | on base element   |
| Type                                   | Male              |

### Protective circuit

## Surge protection plug - TTC-6P-1X2-EX-24DC-I-P - 2907831

### Technical data

#### Protective circuit

|                                  |                |
|----------------------------------|----------------|
| Nominal voltage $U_N$            | 24 V DC        |
| Maximum continuous voltage $U_C$ | 30 V DC        |
| Rated current                    | 600 mA (40 °C) |

#### Connection data

|                   |           |
|-------------------|-----------|
| Connection method | pluggable |
|-------------------|-----------|

#### Standards and Regulations

|                          |  |
|--------------------------|--|
| Standards/specifications | EN 60079-0 2012 + A11:2013   |
|                          | EN 60079-11 2012   |
|                          | EN 61643-21 2001 + A1:2009 + A2:2013                               |
|                          | IEC 60079-0 2011 (modified) + corrigendum 2012 + corrigendum 2013  |
|                          | IEC 60079-11 2008  |
|                          | IEC 61643-21 2000 + corrigendum 2001 + A1:2008, modified + A2:2012 |

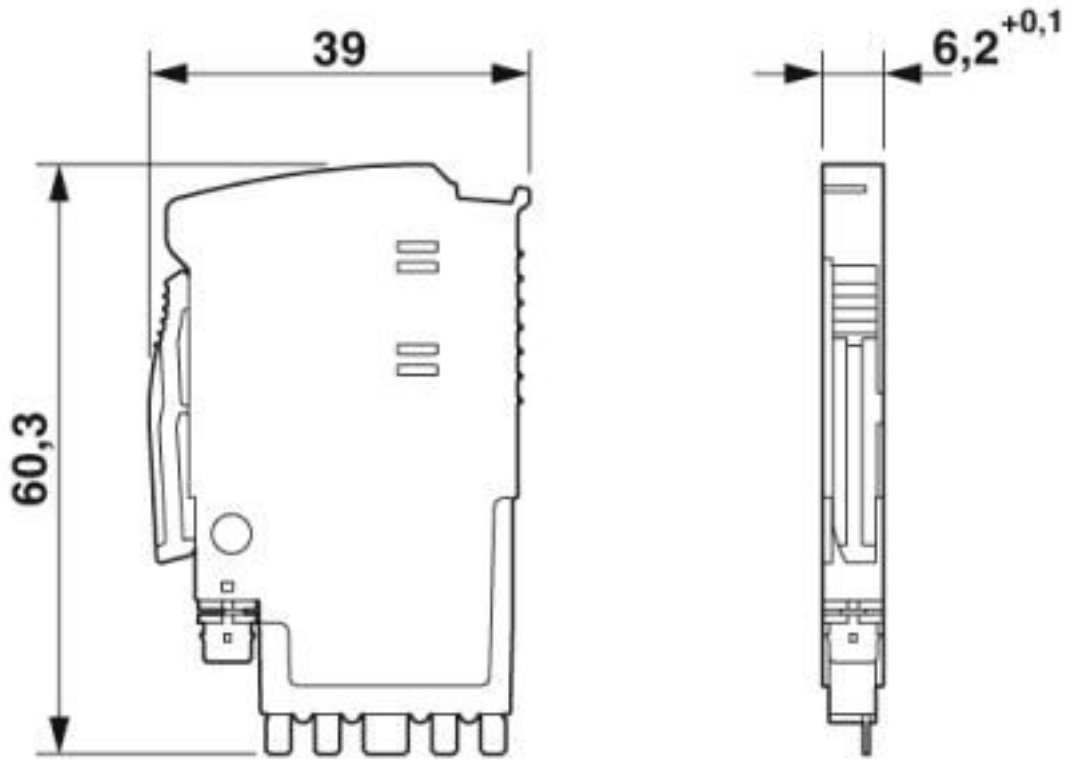
#### Environmental Product Compliance

|            |   |
|------------|---|
| REACH SVHC | Lead 7439-92-1  |
| China RoHS | Environmentally Friendly Use Period = 50 years  |
|            | For details about hazardous substances go to tab "Downloads", Category "Manufacturer's declaration" |

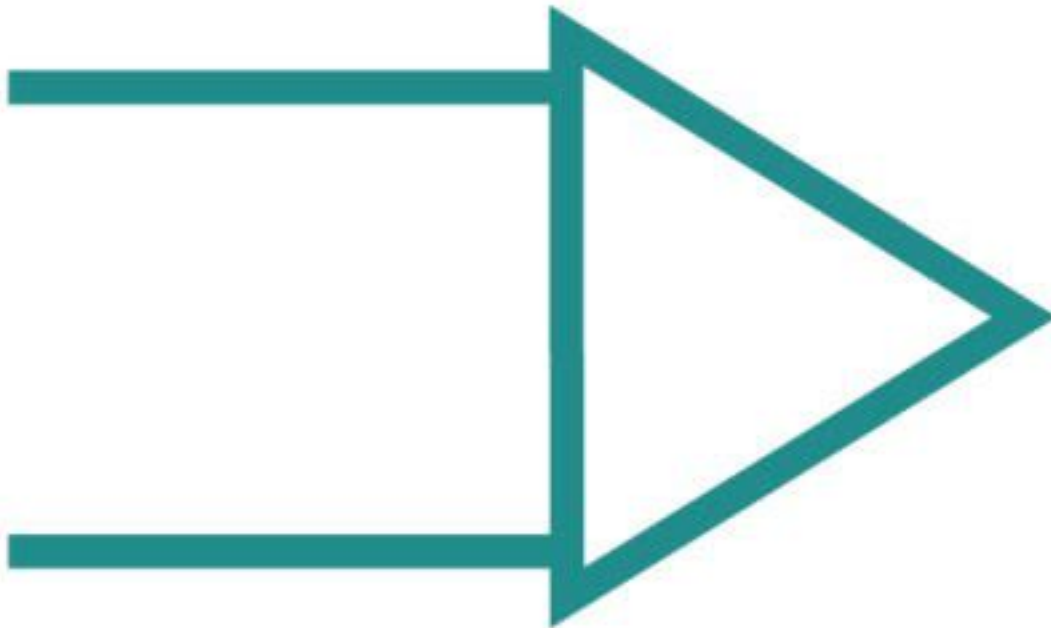
### Drawings

# Surge protection plug - TTC-6P-1X2-EX-24DC-I-P - 2907831

Dimensional drawing

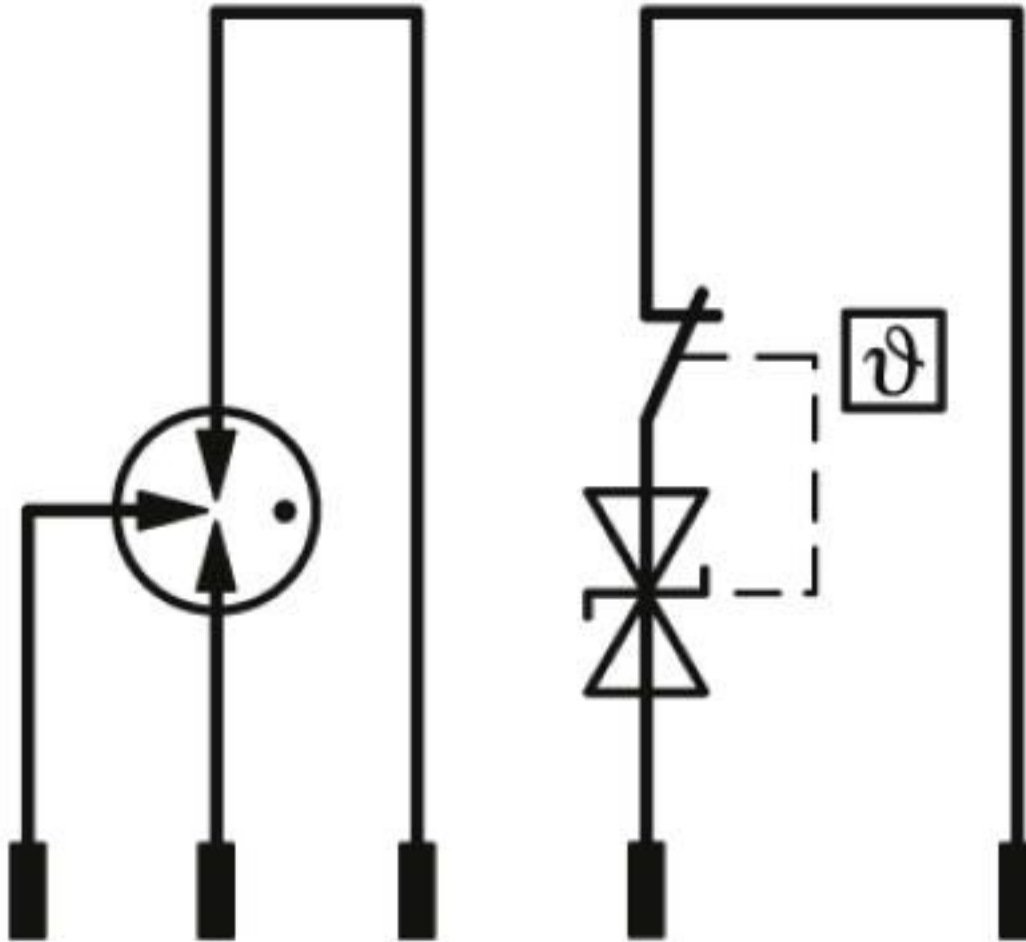


Pictogram



# Surge protection plug - TTC-6P-1X2-EX-24DC-I-P - 2907831

Circuit diagram



## Classifications

eCl@ss

|               |          |
|---------------|----------|
| eCl@ss 10.0.1 | 27130890 |
| eCl@ss 6.0    | 27130800 |
| eCl@ss 7.0    | 27130890 |
| eCl@ss 8.0    | 27130890 |
| eCl@ss 9.0    | 27130890 |

ETIM

|          |          |
|----------|----------|
| ETIM 5.0 | EC002496 |
| ETIM 6.0 | EC002497 |
| ETIM 7.0 | EC002497 |

## Approvals

Approvals

# Surge protection plug - TTC-6P-1X2-EX-24DC-I-P - 2907831

## Approvals

---

### Approvals

DNV GL / CSA / UL Listed / CSAus / cCSAus

---

### Ex Approvals

IECEX / ATEX / UL Listed / cUL Listed / INMETRO / cULus Listed

---

## Approval details

|           |  |   |               |
|-----------|--|---|---------------|
| DNV GL    |  | <a href="https://approvalfinder.dnvgl.com/">https://approvalfinder.dnvgl.com/</a>   | TAE000027G    |
| CSA       |  | <a href="http://www.csagroup.org/services-industries/product-listing/">http://www.csagroup.org/services-industries/product-listing/</a>               | 70136717      |
| UL Listed |  | <a href="http://database.ul.com/cgi-bin/XYV/template/LISEXT/1FRAME/index.htm">http://database.ul.com/cgi-bin/XYV/template/LISEXT/1FRAME/index.htm</a> | FILE E 138168 |
| CSAus     |  | <a href="http://www.csagroup.org/services-industries/product-listing/">http://www.csagroup.org/services-industries/product-listing/</a>               | 70136717      |
| cCSAus    |  |   |               |

## Accessories

### Accessories

#### Labeled terminal marker

Zack Marker strip, flat - ZBF 6 CUS - 0825027



Zack Marker strip, flat, Strip, can be ordered: Strip, white, labeled according to customer specifications, mounting type: snap into flat marker groove, for terminal block width: 6.2 mm, lettering field size: 5.15 x 6.15 mm, Number of individual labels: 10

## Surge protection plug - TTC-6P-1X2-EX-24DC-I-P - 2907831

### Accessories

Zack Marker strip, flat - ZBF 6,QR:FORTL.ZAHLEN - 0808765



Zack Marker strip, flat, Strip, white, labeled, Printed vertically: consecutive numbers 1 ... 10, 11 ... 20, etc. up to 91 ... 100, mounting type: snap into flat marker groove, for terminal block width: 6.2 mm, lettering field size: 5.15 x 6.15 mm, Number of individual labels: 10

---

### Marker pen

Marker pen - X-PEN 0,35 - 0811228



Marker pen without ink cartridge, for manual labeling of markers, labeling extremely wipe-proof, line thickness 0.35 mm

---

### Terminal marking

Zack Marker strip, flat - ZBF 6:UNBEDRUCKT - 0808710



Zack Marker strip, flat, Strip, white, unlabeled, can be labeled with: PLOTMARK, CMS-P1-PLOTTER, mounting type: snap into flat marker groove, for terminal block width: 6.2 mm, lettering field size: 5.15 x 6.15 mm, Number of individual labels: 10

Zack Marker strip, flat - ZBF 6/WH-100:UNBEDRUCKT - 0808736



Zack Marker strip, flat, Strip, white, unlabeled, can be labeled with: PLOTMARK, CMS-P1-PLOTTER, mounting type: snap into flat marker groove, for terminal block width: 6.2 mm, lettering field size: 5.15 x 6.15 mm, Number of individual labels: 10

## X-ON Electronics

Largest Supplier of Electrical and Electronic Components

*Click to view similar products for [Surge Suppressors](#) category:*

*Click to view products by [Phoenix Contact](#) manufacturer:*

Other Similar products are found below :

[GUS1](#) [GUS12](#) [BSPM1A600D600LVR](#) [2800521](#) [29-2053](#) [GUS11](#) [GUS2](#) [GUS3](#) [GUS4](#) [30460](#) [SRA64C060X](#) [PC642C015](#) [1810-15-A3](#)  
[2713175](#) [4B06B-EC1-150LF](#) [SRA6LC](#) [BPMA75D100LV](#) [CX06M](#) [CCTV1](#) [GUS13](#) [GUS14](#) [GUS5](#) [GUS6](#) [VAL-MS 320/3+0-FM](#) [VAL-US-](#)  
[120/40/1+1-FM](#) [VAL-US-120/65/1+1-FM](#) [VAL-US-480D/30/3+0-FM](#) [VAL-US-120/40/1+0-FM](#) [STCHSP121BT1RU](#) [LP-BFDN-CW](#) [LP-](#)  
[STRL-NFF](#) [LP-STRL-DFE](#) [GUS22](#) [0804111](#) [5053609](#) [5053201](#) [SPD2-150-1P0](#) [SPD2-550-1P0](#) [6720005416](#) [6720005417](#) [1-2191595-2](#)  
[STC-CAT6-P0E-I](#) [SPD2-350-1P0](#) [FLT-CP-350-ST](#) [TTC-6P-3-HF-F-M-12DC-UT-I](#) [SMTPA200](#) [2800989](#) [2906776](#) [2906810](#) [2906847](#)