

## Buffer module - QUINT4-BUFFER/24DC/20 - 2907913

Please be informed that the data shown in this PDF Document is generated from our Online Catalog. Please find the complete data in the user's documentation. Our General Terms of Use for Downloads are valid (<http://phoenixcontact.com/download>)



QUINT buffer module with maintenance-free capacitor-based energy storage for DIN rail mounting, input: 24 V DC, output: 24 V DC/20 A, including mounted UTA 107 universal DIN rail adapter.

### Product Description


Bridge failures lasting several seconds with the buffer modules from the QUINT range for DIN rails. The QUINT BUFFER combines an electronic switch-over unit and maintenance-free, capacitor-based energy storage in the same housing.

### Your advantages

- Space savings, thanks to the compact design
- Maintenance-free due to electrolytic capacitors
- Thanks to soft start, can also be used with power supplies in the low power range



### Key Commercial Data

|              |   |
|--------------|---|
| Packing unit | 1 pc  |
| GTIN         | <br>4 055626 309040 |
| GTIN         | 4055626309040   |

### Technical data

#### Dimensions

|                                  |               |
|----------------------------------|---------------|
| Width                            | 56 mm         |
| Height                           | 130 mm        |
| Depth                            | 125 mm        |
| Installation distance right/left | 0 mm / 0 mm   |
| Installation distance top/bottom | 50 mm / 50 mm |

#### Ambient conditions

|  |  |
|--|--|
| Degree of protection                       | IP20   |
| Ambient temperature (operation)            | -25 °C ... 70 °C (> 40 °C Derating: 1 %/K / > 60 °C Derating: 2.5 %/K) |
| Ambient temperature (start-up type tested) | -40 °C   |
| Ambient temperature (storage/transport)    | -40 °C ... 70 °C   |

# Buffer module - QUINT4-BUFFER/24DC/20 - 2907913

## Technical data

### Ambient conditions

|  |                             |
|--|-----------------------------|
| Max. permissible relative humidity (operation) | ≤ 95 %                      |
| Climatic class                                 | 3K3 (in acc. with EN 60721) |
| Degree of pollution                            | 2                           |
| Installation height                            | ≤ 4000 m                    |

### Input data

|  |                          |
|--|--------------------------|
| Input voltage                          | 24 V DC (SELV)           |
| Input voltage range                    | 22.5 V DC ... 30 V DC    |
| Current consumption (maximum)          | 26 A (max.)              |
| Current consumption (idle)             | 0.2 A (No-load)          |
| Current consumption (charging process) | 0.6 A (charging process) |
| Fixed backup threshold                 | < 22 V DC                |

### Output data

|  |  |
|--|--|
| Nominal output voltage                   | 24 V DC (depending on the input voltage) |
| Nominal output current (I <sub>N</sub> ) | 20 A                                     |
| Static Boost (I <sub>Stat.Boost</sub> )  | 25 A                                     |
| Connection in parallel                   | no                                       |
| Connection in series                     | No                                       |
| Power loss nominal load max.             | < 6 W                                    |

### General

|                            |   |
|----------------------------|---|
| IQ technology              | no  |
| Net weight                 | 1 kg  |
| Memory medium              | Electrolytic capacitor  |
| Efficiency                 | > 98 % (with charged energy storage device)   |
| MTBF (IEC 61709, SN 29500) | 2497464 h (40 °C)   |
| Degree of protection       | IP20  |
| Protection class           | Special application (SELV input voltage, hazardous voltages are generated in the device). |
| Mounting position          | horizontal DIN rail NS 35, EN 60715   |
| Assembly instructions      | alignable: horizontally 0 mm, vertically 50 mm  |

### Connection data, input

|                                       |                     |
|---------------------------------------|---------------------|
| Connection method                     | Screw connection    |
| Conductor cross section solid min.    | 0.2 mm <sup>2</sup> |
| Conductor cross section solid max.    | 6 mm <sup>2</sup>   |
| Conductor cross section flexible min. | 0.2 mm <sup>2</sup> |
| Conductor cross section flexible max. | 4 mm <sup>2</sup>   |
| Conductor cross section AWG min.      | 30                  |
| Conductor cross section AWG max.      | 10                  |
| Stripping length                      | 8 mm                |

### Connection data, output

# Buffer module - QUINT4-BUFFER/24DC/20 - 2907913

## Technical data

### Connection data, output

|                                       |                     |
|---------------------------------------|---------------------|
| Connection method                     | Screw connection    |
| Conductor cross section solid min.    | 0.2 mm <sup>2</sup> |
| Conductor cross section solid max.    | 6 mm <sup>2</sup>   |
| Conductor cross section flexible min. | 0.2 mm <sup>2</sup> |
| Conductor cross section flexible max. | 4 mm <sup>2</sup>   |
| Conductor cross section AWG min.      | 30                  |
| Conductor cross section AWG max.      | 10                  |
| Stripping length                      | 8 mm                |

### Signaling

|                                       |                                       |
|---------------------------------------|---------------------------------------|
| Signalization designation             | U <sub>in</sub> OK                    |
| Output name                           | Electronic relay (photorelay)         |
| Output description                    | floating 13/14                        |
| Output voltage                        | 30 V DC                               |
| Continuous load current               | 200 mA                                |
| Status display                        | LED                                   |
| Conductor cross section solid min.    | 0.2 mm <sup>2</sup>                   |
| Conductor cross section solid max.    | 1.5 mm <sup>2</sup>                   |
| Conductor cross section flexible min. | 0.2 mm <sup>2</sup>                   |
| Conductor cross section flexible max. | 1.5 mm <sup>2</sup>                   |
| Conductor cross section AWG min.      | 24                                    |
| Conductor cross section AWG max.      | 16                                    |
| Signalization designation             | Ready                                 |
| Output name                           | Transistor output, active             |
| Output voltage                        | 24 V (U <sub>N</sub> - 2 V (typical)) |
| Continuous load current               | 20 mA                                 |
| Status display                        | LED                                   |
| Signalization designation             | Reference potential for Ready         |

### Standards

|                                     |                             |
|-------------------------------------|-----------------------------|
| EMC requirements for noise immunity | EN 61000-6-1                |
|                                     | EN 61000-6-2                |
| EMC requirements for noise emission | EN 61000-6-3                |
|                                     | EN 61000-6-4                |
| Standard - Electrical safety        | IEC 60950-1/VDE 0805 (SELV) |

### Conformance/approvals

|              |                               |
|--------------|-------------------------------|
| UL approvals | UL Listed UL 508              |
|              | UL/C-UL Recognized UL 60950-1 |

### EMC data

|                               |   |
|-------------------------------|---|
| Electromagnetic compatibility | Conformance with EMC Directive 2014/30/EU         |
| Low Voltage Directive         | Conformance with Low Voltage Directive 2014/35/EC |

## Buffer module - QUINT4-BUFFER/24DC/20 - 2907913

### Technical data

#### EMC data

|                          |  |
|--------------------------|--|
| Noise emission           | EN 55016   |
|                          | EN 61000-6-3   |
| Electrostatic discharge  | EN 61000-4-2   |
| Contact discharge        | 6 kV (Test Level 3)  |
| Discharge in air         | 8 kV (Test Level 3)  |
| Electromagnetic HF field | EN 61000-4-3   |
| Frequency range          | 80 MHz ... 6 GHz   |
| Test field strength      | 10 V/m   |
| Comments                 | Criterion A  |
| Fast transients (burst)  | EN 61000-4-4   |
| Input                    | 2 kV (Test Level 3 - asymmetrical)   |
| Output                   | 2 kV (Test Level 3 - asymmetrical)   |
| Signal                   | 2 kV (Test Level 3 - asymmetrical)   |
| Comments                 | Criterion A  |
| Input                    | 1 kV (Test Level 2 - symmetrical)  |
|                          | 2 kV (Test Level 3 - asymmetrical)   |
| Output                   | 1 kV (Test Level 2 - symmetrical)  |
|                          | 2 kV (Test Level 3 - asymmetrical)   |
| Signal                   | 1 kV (Test Level 2 - asymmetrical)   |
| Comments                 | Criterion A  |
| Conducted interference   | EN 61000-4-6   |
| Frequency range          | 0.15 MHz ... 80 MHz  |
| Voltage                  | 10 V   |
| Comments                 | Criterion A  |
| Criterion A              | Normal operating behavior within the specified limits.                               |
| Criterion B              | Temporary impairment to operational behavior that is corrected by the device itself. |

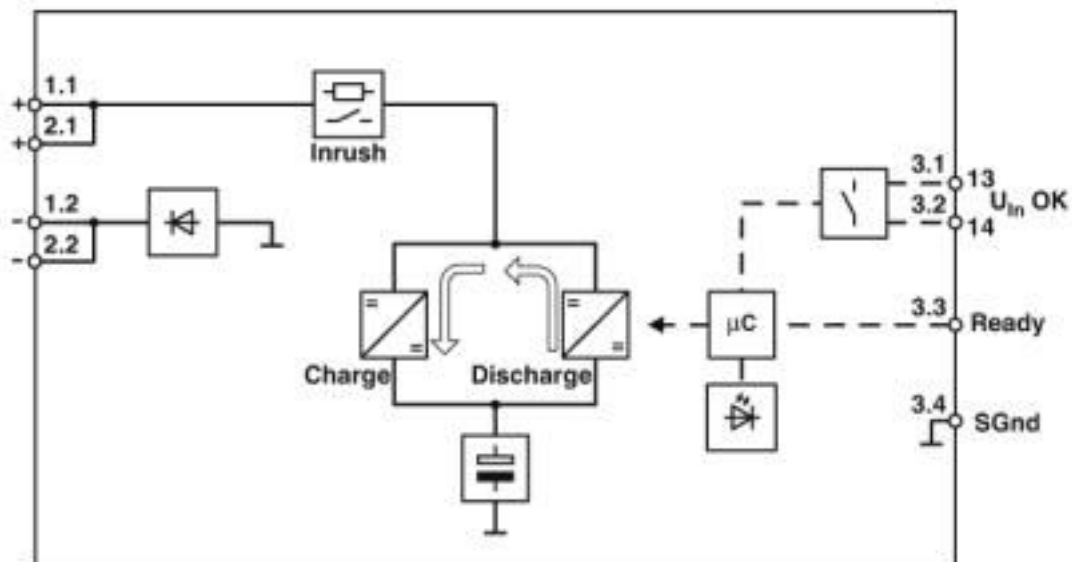
#### Environmental Product Compliance

|            |   |
|------------|---|
| REACH SVHC | Lead 7439-92-1  |
| China RoHS | Environmentally Friendly Use Period = 25;   |
|            | For details about hazardous substances go to tab "Downloads", Category "Manufacturer's declaration" |

### Drawings

# Buffer module - QUINT4-BUFFER/24DC/20 - 2907913

Block diagram



## Classifications

### eCl@ss

|            |          |
|------------|----------|
| eCl@ss 5.0 | 27242700 |
| eCl@ss 5.1 | 27242700 |
| eCl@ss 6.0 | 27242200 |
| eCl@ss 7.0 | 27242209 |
| eCl@ss 8.0 | 27049201 |
| eCl@ss 9.0 | 27049201 |

### ETIM

|          |          |
|----------|----------|
| ETIM 5.0 | EC000599 |
| ETIM 6.0 | EC002850 |
| ETIM 7.0 | EC002850 |

### UNSPSC

|             |          |
|-------------|----------|
| UNSPSC 13.2 | 39121004 |
| UNSPSC 18.0 | 26111710 |
| UNSPSC 19.0 | 26111710 |
| UNSPSC 20.0 | 26111710 |
| UNSPSC 21.0 | 26111710 |

## Approvals

Approvals

# Buffer module - QUINT4-BUFFER/24DC/20 - 2907913

## Approvals

### Approvals

UL Listed / UL Recognized / cUL Recognized / cUL Listed / EAC / cULus Recognized / cULus Listed

---

### Ex Approvals

UL Listed / cUL Listed / cULus Listed

---

## Approval details

|           |  |   |               |
|-----------|--|---|---------------|
| UL Listed |  | <a href="http://database.ul.com/cgi-bin/XYV/template/LISEXT/1FRAME/index.htm">http://database.ul.com/cgi-bin/XYV/template/LISEXT/1FRAME/index.htm</a> | FILE E 123528 |
|-----------|--|---|---------------|

|               |  |   |               |
|---------------|--|---|---------------|
| UL Recognized |  | <a href="http://database.ul.com/cgi-bin/XYV/template/LISEXT/1FRAME/index.htm">http://database.ul.com/cgi-bin/XYV/template/LISEXT/1FRAME/index.htm</a> | FILE E 211944 |
|---------------|--|---|---------------|

|                |  |   |               |
|----------------|--|---|---------------|
| cUL Recognized |  | <a href="http://database.ul.com/cgi-bin/XYV/template/LISEXT/1FRAME/index.htm">http://database.ul.com/cgi-bin/XYV/template/LISEXT/1FRAME/index.htm</a> | FILE E 211944 |
|----------------|--|---|---------------|

|            |  |   |               |
|------------|--|---|---------------|
| cUL Listed |  | <a href="http://database.ul.com/cgi-bin/XYV/template/LISEXT/1FRAME/index.htm">http://database.ul.com/cgi-bin/XYV/template/LISEXT/1FRAME/index.htm</a> | FILE E 123528 |
|------------|--|---|---------------|

|     |  |  |                     |
|-----|--|--|---------------------|
| EAC |  |  | RU*DE*08.B.01873/19 |
|-----|--|--|---------------------|

|                  |  |  |  |
|------------------|--|--|--|
| cULus Recognized |  |  |  |
|------------------|--|--|--|

|              |  |  |  |
|--------------|--|--|--|
| cULus Listed |  |  |  |
|--------------|--|--|--|

## Accessories

### Accessories

Assembly adapter

## Buffer module - QUINT4-BUFFER/24DC/20 - 2907913

### Accessories

#### Assembly adapters - UWA 130 - 2901664



2-piece universal wall adapter for securely mounting the device in the event of strong vibrations. The profiles that are screwed onto the side of the device are screwed directly onto the mounting surface. The universal wall adapter is attached on the left/right.

---

#### Assembly adapters - UWA 182/52 - 2938235



Universal wall adapter for securely mounting the device in the event of strong vibrations. The device is screwed directly onto the mounting surface. The universal wall adapter is attached on the top/bottom.

---

Phoenix Contact 2020 © - all rights reserved  
<http://www.phoenixcontact.com>

PHOENIX CONTACT GmbH & Co. KG  
Flachsmarktstr. 8  
32825 Blomberg  
Germany  
Tel. +49 5235 300  
Fax +49 5235 3 41200  
<http://www.phoenixcontact.com>

## X-ON Electronics

Largest Supplier of Electrical and Electronic Components

*Click to view similar products for [Isolated DC/DC Converters](#) category:*

*Click to view products by [Phoenix Contact](#) manufacturer:*

Other Similar products are found below :

[ESM6D044440C05AAQ](#) [FMD15.24G](#) [PSL486-7LR](#) [Q48T30020-NBB0](#) [JAHW100Y1](#) [SPB05C-12](#) [SQ24S15033-PS0S](#) [19-130041](#) [CE-1003](#)  
[CE-1004](#) [GQ2541-7R](#) [RDS180245](#) [MAU228](#) [DFC15U48D15](#) [XGS-0512](#) [XGS-1205](#) [XGS-1212](#) [XGS-2412](#) [XGS-2415](#) [XKS-1215](#) [06322](#)  
[NCT1000N040R050B](#) [SPB05B-15](#) [SPB05C-15](#) [L-DA20](#) [DCG40-5G](#) [QME48T40033-PGB0](#) [XKS-2415](#) [XKS-2412](#) [XKS-2405](#) [XKS-1212](#)  
[XKS-1205](#) [XKS-0515](#) [XKS-0505](#) [XGS-2405](#) [XGS-1215](#) [XGS-0515](#) [PS9Z-6RM4](#) [73-551-5038I](#) [AK1601-9RT](#) [VI-R5022-EXWW](#) [PSC128-](#)  
[7iR](#) [RPS8-350ATX-XE](#) [DAS1004812](#) [VI-LJ11-iz](#) [PQA30-D24-S24-DH](#) [VI-M5F-CQ](#) [VI-LN2-EW](#) [VI-PJW01-CZY](#) [CK2540-9ERT](#)