

# Type 3 surge protection plug - PLT-SEC-T3-60-P-UT/PT - 2907921


Please be informed that the data shown in this PDF Document is generated from our Online Catalog. Please find the complete data in the user's documentation. Our General Terms of Use for Downloads are valid (<http://phoenixcontact.com/download>)



Replacement plug for type 3 surge protection from the PLT-SEC-...-UT/PT product series. Nominal voltage 60 V.



## Key Commercial Data

Packing unit	10 pc
GTIN	 4 0 5 5 6 2 6 2 5 7 4 7 1
GTIN	4055626257471

## Technical data

### Dimensions

Height	46.7 mm
Width	17.5 mm
Depth	65.7 mm
Horizontal pitch	1 Div.

### Ambient conditions

Degree of protection	IP20
Ambient temperature (operation)	-40 °C ... 80 °C
Ambient temperature (storage/transport)	-40 °C ... 80 °C
Altitude	≤ 6000 m (amsl (above mean sea level))
Permissible humidity (operation)	5 % ... 95 %
Shock (operation)	30g (Half-sine / 11 ms / 3x ±X, ±Y, ±Z)
Vibration (operation)	5g (5 ... 500 Hz / 2.5 h / X, Y, Z)

### General

EN type	T3
IEC power supply system	TN-S
Number of ports	One
Mode of protection	L-N

# Type 3 surge protection plug - PLT-SEC-T3-60-P-UT/PT - 2907921

## Technical data

### General

	L-PE
	N-PE
Mounting type	on base element
Color	light grey RAL 7035
Housing material	PA 6.6-FR 20 % GF
	PA 6.6-FR
Degree of pollution	2
Flammability rating according to UL 94	V-0
Type	Male
Number of positions	2
Surge protection fault message	optical

### Protective circuit

Nominal voltage $U_N$	60 V AC (TN-S)
Nominal frequency $f_N$	50 Hz (60 Hz)
Maximum continuous voltage $U_C$	80 V AC
Residual current $I_{PE}$	$\leq 5 \mu\text{A}$
Nominal discharge current $I_n$ (8/20) $\mu\text{s}$	2 kA
Standby power consumption $P_C$	$\leq 5.3 \text{ mVA}$ (at $U_{REF}$ )
	$\leq 8.4 \text{ mVA}$ (at $U_C$ )
Reference test voltage $U_{REF}$	66 V AC
Combination wave $U_{OC}$	4 kV
Voltage protection level $U_p$ (L-N)	$\leq 0.48 \text{ kV}$
Voltage protection level $U_p$ (L-PE)	$\leq 0.8 \text{ kV}$
Voltage protection level $U_p$ (N-PE)	$\leq 0.8 \text{ kV}$
TOV behavior at $U_T$ (L-N)	120 V AC (120 min / safe failure mode)
TOV behavior at $U_T$ (L-PE)	120 V AC (120 min / withstand mode)
Response time $t_A$ (L-N)	$\leq 25 \text{ ns}$
Response time $t_A$ (L-PE)	$\leq 100 \text{ ns}$
Response time $t_A$ (N-PE)	$\leq 100 \text{ ns}$
Short-circuit current rating $I_{SCCR}$	10 kA AC
Max. backup fuse with branch wiring	32 A (gG / B / C)

### Additional technical data

Short-circuit current rating $I_{SCCR}$	0.25 kA DC (Without additional backup fuse in the DC branch wiring)
	5 kA DC (for 20 A gG / B backup fuse)
Maximum discharge current $I_{max}$ (8/20) $\mu\text{s}$	4 kA
Maximum continuous voltage $U_C$	80 V DC
Residual voltage $U_{res}$ (L-N)	$\leq 0.42 \text{ kV}$ (at 1 kA)
	$\leq 0.48 \text{ kV}$ (at 2 kA)
	$\leq 0.4 \text{ kV}$ (at $U_{OC} = 2 \text{ kV}$ )

## Type 3 surge protection plug - PLT-SEC-T3-60-P-UT/PT - 2907921

### Technical data

#### Additional technical data

Residual voltage $U_{res}$ (L-PE)	$\leq 0.55$ kV (at 1 kA)
	$\leq 0.6$ kV (at 2 kA)
	$\leq 0.6$ kV (at $U_{oc} = 2$ kV)
Residual voltage $U_{res}$ (N-PE)	$\leq 0.55$ kV (at 1 kA)
	$\leq 0.6$ kV (at 2 kA)
	$\leq 0.6$ kV (at $U_{oc} = 2$ kV)
Mode of protection	(DC+) - (DC-)
	(DC+/DC-) - PE

#### Connection data

Connection method	pluggable
-------------------	-----------

#### UL specifications

SPD Type	4CA
Maximum continuous operating voltage MCOV	100 V AC
	80 V DC
Nominal voltage	80 V DC
Mode of protection	L-N
	L-G
	N-G
	(DC+) - (DC-)
	(DC+) - G
	(DC-) - G
Power distribution system	Single phase
	DC
Nominal frequency	50/60 Hz
Measured limiting voltage MLV (L-N)	490 V
Measured limiting voltage MLV (L-G)	680 V
Measured limiting voltage MLV (N-G)	680 V
Nominal discharge current $I_n$	3 kA

#### Standards and Regulations

Standards/specifications	IEC 61643-11 2011
	EN 61643-11 2012

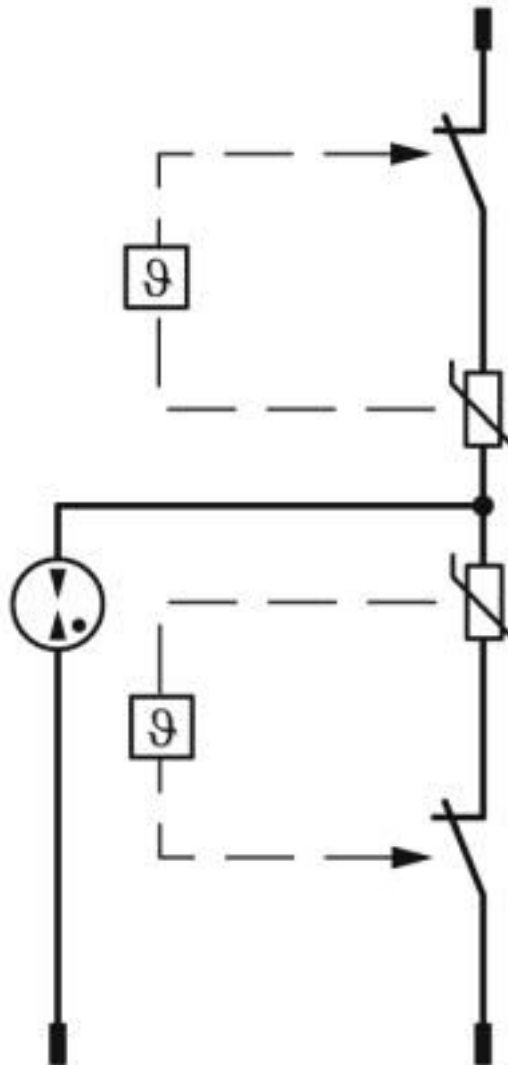
#### Environmental Product Compliance

China RoHS	Environmentally friendly use period: unlimited = EFUP-e
	No hazardous substances above threshold values

### Drawings

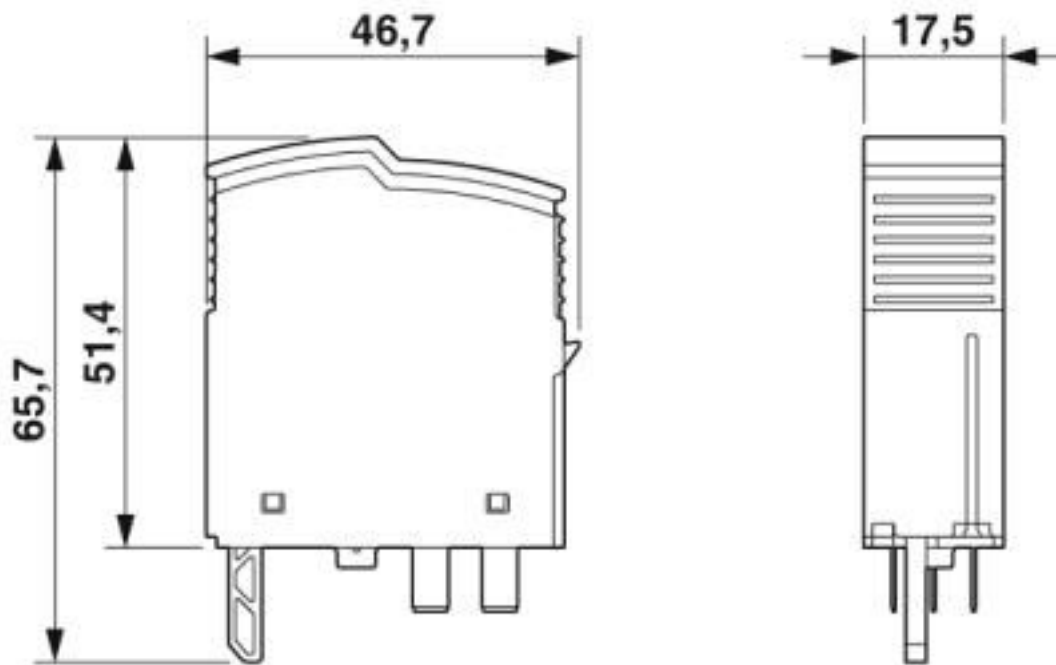
# Type 3 surge protection plug - PLT-SEC-T3-60-P-UT/PT - 2907921

Circuit diagram



# Type 3 surge protection plug - PLT-SEC-T3-60-P-UT/PT - 2907921

Dimensional drawing



## Classifications

### eCl@ss

eCl@ss 10.0.1	27130890
eCl@ss 6.0	27130800
eCl@ss 7.0	27130890
eCl@ss 8.0	27130890
eCl@ss 9.0	27130890

### ETIM

ETIM 5.0	EC002496
ETIM 6.0	EC002497
ETIM 7.0	EC002497

## Approvals

### Approvals

#### Approvals

DNV GL / CCA / UL Recognized / KEMA-KEUR / cUL Recognized / IECCE CB Scheme / EAC / CSA / cULus Recognized

#### Ex Approvals

UL Recognized / cUL Recognized / cULus Recognized

# Type 3 surge protection plug - PLT-SEC-T3-60-P-UT/PT - 2907921

## Approvals

### Approval details

DNV GL		<a href="https://approvalfinder.dnvgl.com/">https://approvalfinder.dnvgl.com/</a>	TAE00002U7
CCA			NTR-NL 7676
UL Recognized		<a href="http://database.ul.com/cgi-bin/XYV/template/LISEXT/1FRAME/index.htm">http://database.ul.com/cgi-bin/XYV/template/LISEXT/1FRAME/index.htm</a>	FILE E 330181
KEMA-KEUR		<a href="http://www.dekra-certification.com">http://www.dekra-certification.com</a>	71-103027
cUL Recognized		<a href="http://database.ul.com/cgi-bin/XYV/template/LISEXT/1FRAME/index.htm">http://database.ul.com/cgi-bin/XYV/template/LISEXT/1FRAME/index.htm</a>	FILE E 330181
IECEE CB Scheme		<a href="http://www.iecee.org/">http://www.iecee.org/</a>	NL-51083
EAC			RU C-DE.*09.B.00169
CSA		<a href="http://www.csagroup.org/services-industries/product-listing/">http://www.csagroup.org/services-industries/product-listing/</a>	70194378
cULus Recognized			

Phoenix Contact 2020 © - all rights reserved  
<http://www.phoenixcontact.com>

PHOENIX CONTACT GmbH & Co. KG  
Flachmarktstr. 8  
32825 Blomberg  
Germany  
Tel. +49 5235 300  
Fax +49 5235 3 41200  
<http://www.phoenixcontact.com>

## X-ON Electronics

Largest Supplier of Electrical and Electronic Components

*Click to view similar products for [Surge Suppressors](#) category:*

*Click to view products by [Phoenix Contact](#) manufacturer:*

Other Similar products are found below :

[GUS1](#) [GUS12](#) [BSPM1A600D600LVR](#) [2800521](#) [29-2053](#) [GUS11](#) [GUS2](#) [GUS3](#) [30460](#) [SRA64C060X](#) [PC642C015](#) [1810-15-A3](#) [2713175](#)  
[4B06B-EC1-150LF](#) [SRA6LC](#) [BPMA75D100LV](#) [CX06M](#) [CCTV1](#) [GUS13](#) [GUS14](#) [GUS5](#) [GUS6](#) [VAL-MS 320/3+0-FM](#) [VAL-US-](#)  
[120/40/1+1-FM](#) [VAL-US-120/65/1+1-FM](#) [VAL-US-480D/30/3+0-FM](#) [VAL-US-120/40/1+0-FM](#) [LP-BFDN-CW](#) [LP-STRL-NFF](#) [LP-STRL-](#)  
[DFF](#) [GUS22](#) [0804111](#) [5053609](#) [5053201](#) [SPD2-150-1P0](#) [SPD2-550-1P0](#) [6720005416](#) [6720005417](#) [1-2191595-2](#) [STC-CAT6-P0E-I](#) [SPD2-](#)  
[350-1P0](#) [FLT-CP-350-ST](#) [TTC-6P-3-HF-F-M-12DC-UT-I](#) [SMTPA200](#) [2800989](#) [2906776](#) [2906810](#) [2906847](#) [2906848](#) [2906851](#)