

Temperature measuring transducer - MACX MCR-EX-TS-I-OLP - 2908660


Please be informed that the data shown in this PDF Document is generated from our Online Catalog. Please find the complete data in the user's documentation. Our General Terms of Use for Downloads are valid (<http://phoenixcontact.com/download>)



The output-loop-powered temperature transmitter transmits up to two sensor signals from RTD and TC sensors as well as from resistance-type sensors and voltage encoders via the HART communication or 4 ... 20 mA, configurable. SIL 2/3, intrinsic safety, screw connection.



Key Commercial Data

Packing unit	1 pc
GTIN	 4 055626 355429
GTIN	4055626355429

Technical data

Dimensions

Width	12.5 mm
Height	99 mm
Depth	114.5 mm

Ambient conditions

Ambient temperature (operation)	-40 °C ... 85 °C
	-40 °C ... 70 °C (SIL active)
Ambient temperature (storage/transport)	-40 °C ... 100 °C
Maximum altitude	≤ 4000 m (Above sea level)
Permissible humidity (operation)	5 % ... 95 % (non-condensing)
Degree of protection	IP20 (not assessed by UL)

Power supply

Supply voltage range	12 V ... 42 V (Standard)
----------------------	--------------------------

Connection data

Connection method	Screw connection
Stripping length	7 mm

Temperature measuring transducer - MACX MCR-EX-TS-I-OLP - 2908660

Technical data

Connection data

Screw thread	M3
Conductor cross section solid	0.2 mm ² ... 2.5 mm ²
Conductor cross section flexible	0.2 mm ² ... 2.5 mm ²
Conductor cross section AWG	24 ... 14
Torque	0.5 Nm ... 0.6 Nm

General

Step response (0–99%)	0.8 s (TC)
Degree of pollution	2
Overvoltage category	II
Color	gray

Standards and Regulations

Conformance	CE-compliant
ATEX	# II 2 (1) G Ex ib [ja Ga] IIC T6...T4 Gb
IECEX	Ex ib [ja Ga] IIC T6...T4 Gb
UL, USA/Canada	UL 61010 Recognized
FM approval	Exia / Class I / Div. 1, 2 / Group ABCD
	NI, Class I, Div. 2, Groups A, B, C, D
CSA	AIS / Class I / Div. 1 / ABCD
	NI / Class I / Div. 2 / ABCD T6/T5/T4

Conformance/approvals

Designation	CE
Identification	CE-compliant
Designation	ATEX
Identification	# II 2 (1) G Ex ib [ja Ga] IIC T6...T4 Gb
Certificate	EPS 17 ATEX 1 130 X
Designation	IECEX
Identification	Ex ib [ja Ga] IIC T6...T4 Gb
Certificate	IECEX EPS 17.0076X
Designation	UL, USA/Canada
Identification	UL 61010 Recognized
Designation	FM
Identification	Exia / Class I / Div. 1, 2 / Group ABCD
	NI, Class I, Div. 2, Groups A, B, C, D
Designation	CSA
Identification	AIS / Class I / Div. 1 / ABCD
	NI / Class I / Div. 2 / ABCD T6/T5/T4
Designation	Shipbuilding approval
Certificate	DNV GL TAA00002GX

Temperature measuring transducer - MACX MCR-EX-TS-I- OLP - 2908660

Technical data

Conformance/approvals

Temperature	D
Humidity	B
Vibration	A
EMC	B
Enclosure	A

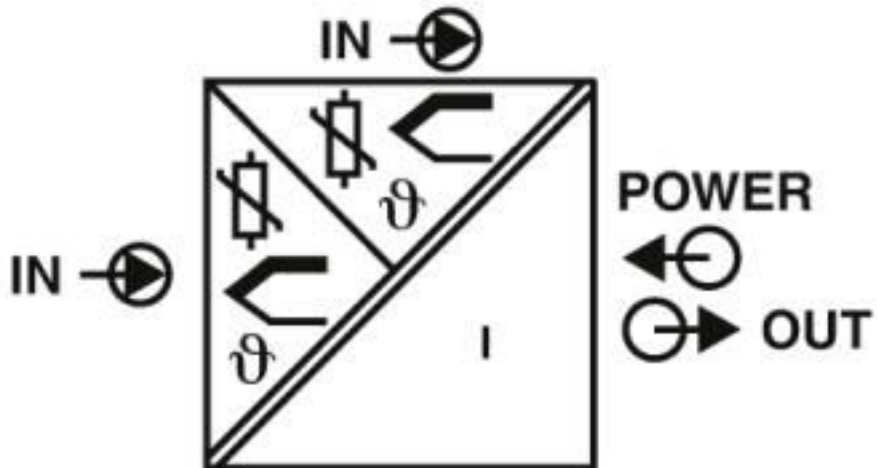
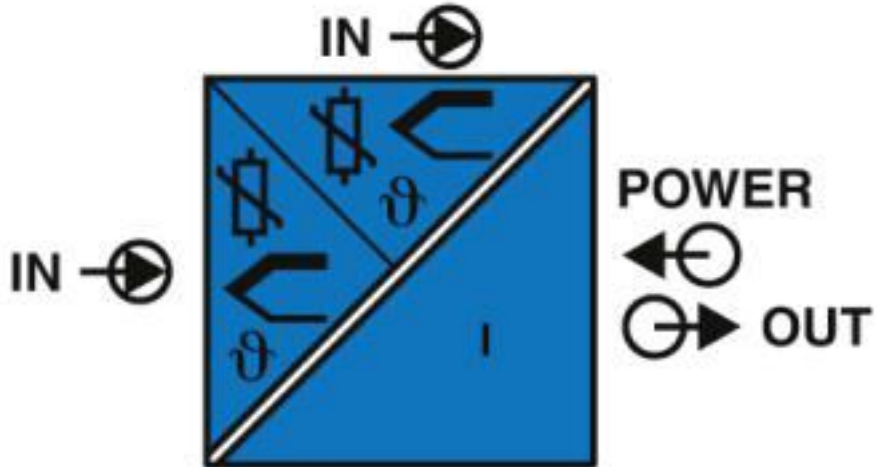
Environmental Product Compliance

China RoHS	Environmentally friendly use period: unlimited = EFUP-e
	No hazardous substances above threshold values

Drawings

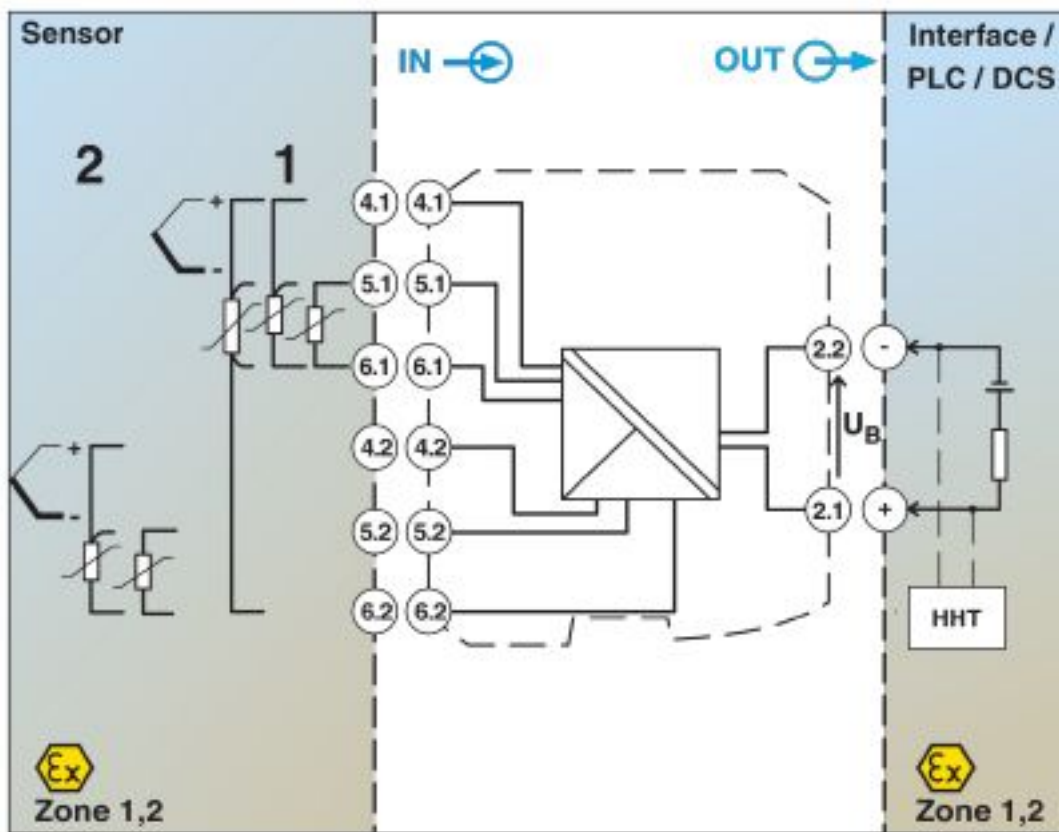
Temperature measuring transducer - MACX MCR-EX-TS-I-OLP - 2908660

Pictogram



Temperature measuring transducer - MACX MCR-EX-TS-I-OLP - 2908660

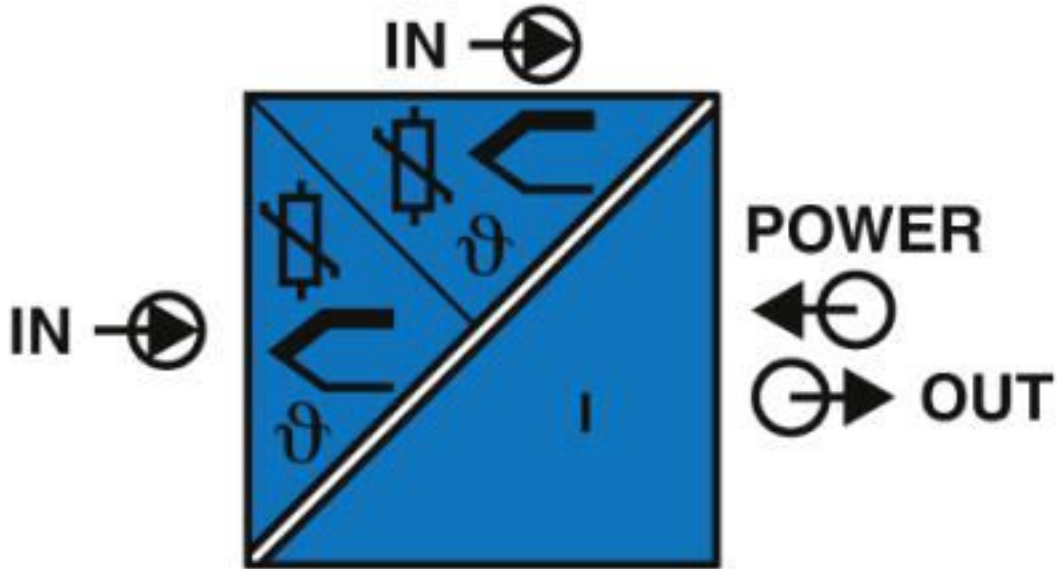
Block diagram



Block diagram for MACX MCR-EX-TS-I-OLP

Temperature measuring transducer - MACX MCR-EX-TS-I-OLP - 2908660

Pictogram



Classifications

eCl@ss

eCl@ss 10.0.1	27210129
eCl@ss 8.0	27200206
eCl@ss 9.0	27210129

ETIM

ETIM 5.0	EC001446
ETIM 6.0	EC002919
ETIM 7.0	EC002919

Approvals

Approvals

Approvals

UL Recognized / cUL Recognized / Functional Safety / cULus Recognized

Ex Approvals

IECEx / FM approved / CSA / ATEX

Approval details

Temperature measuring transducer - MACX MCR-EX-TS-I-OLP - 2908660

Approvals

UL Recognized		http://database.ul.com/cgi-bin/XYV/template/LISEXT/1FRAME/index.htm	FILE E 198586
---------------	--	-------------------------------------------------------------------------------------------------------------------------------------------------------	---------------

cUL Recognized		http://database.ul.com/cgi-bin/XYV/template/LISEXT/1FRAME/index.htm	FILE E 198586
----------------	--	-------------------------------------------------------------------------------------------------------------------------------------------------------	---------------

Functional Safety		http://www.tuev-sued.de	Z10 17 09 29429 006
-------------------	--	---------------------------------------------------------------	---------------------

cULus Recognized			
------------------	--	--	--

Accessories

Accessories

Device marking

Plastic label - UC-EMLP (11X9) - 0819291



Plastic label, Sheet, white, unlabeled, can be labeled with: BLUEMARK ID COLOR, BLUEMARK ID, BLUEMARK CLED, PLOTMARK, CMS-P1-PLOTTER, mounting type: adhesive, lettering field size: 11 x 9 mm, Number of individual labels: 10

Plastic label - UC-EMLP (11X9) YE - 0822602



Plastic label, Sheet, yellow, unlabeled, can be labeled with: BLUEMARK ID COLOR, BLUEMARK ID, BLUEMARK CLED, PLOTMARK, CMS-P1-PLOTTER, mounting type: adhesive, lettering field size: 11 x 9 mm, Number of individual labels: 10

Plastic label - UC-EMLP (11X9) SR - 0828094



Plastic label, Sheet, silver, unlabeled, can be labeled with: BLUEMARK ID COLOR, BLUEMARK ID, BLUEMARK CLED, PLOTMARK, CMS-P1-PLOTTER, mounting type: adhesive, lettering field size: 11 x 9 mm, Number of individual labels: 10

Temperature measuring transducer - MACX MCR-EX-TS-I-OLP - 2908660

Accessories

Plastic label - US-EMLP (11X9) - 0828789



Plastic label, Card, white, unlabeled, can be labeled with: BLUEMARK ID COLOR, BLUEMARK ID, THERMOMARK PRIME, THERMOMARK CARD 2.0, THERMOMARK CARD, mounting type: adhesive, lettering field size: 11 x 9 mm, Number of individual labels: 135

Plastic label - US-EMLP (11X9) YE - 0828871



Plastic label, Card, yellow, unlabeled, can be labeled with: BLUEMARK ID COLOR, BLUEMARK ID, THERMOMARK PRIME, THERMOMARK CARD 2.0, THERMOMARK CARD, mounting type: adhesive, lettering field size: 11 x 9 mm, Number of individual labels: 135

Plastic label - US-EMLP (11X9) SR - 0828872



Plastic label, Card, silver, unlabeled, can be labeled with: BLUEMARK ID COLOR, BLUEMARK ID, THERMOMARK PRIME, THERMOMARK CARD 2.0, THERMOMARK CARD, mounting type: adhesive, lettering field size: 11 x 9 mm, Number of individual labels: 135

Device marker - LS-EMLP (11X9) WH - 0831678



Device marker, Sheet, white, unlabeled, can be labeled with: TOPMARK NEO, TOPMARK LASER, mounting type: adhesive, lettering field size: 11 x 9 mm, Number of individual labels: 255

Device marker - LS-EMLP (11X9) YE - 0831732



Device marker, Sheet, yellow, unlabeled, can be labeled with: TOPMARK NEO, TOPMARK LASER, mounting type: adhesive, lettering field size: 11 x 9 mm, Number of individual labels: 255

Temperature measuring transducer - MACX MCR-EX-TS-I-OLP - 2908660

Accessories

Device marker - LS-EMLP (11X9) SR - 0831705

Device marker, Sheet, silver, unlabeled, can be labeled with: TOPMARK NEO, TOPMARK LASER, mounting type: adhesive, lettering field size: 11 x 9 mm, Number of individual labels: 255



Insulating sleeve

Insulating sleeve - MPS-IH BK - 0201731

Insulating sleeve, color: black



Insulating sleeve - MPS-IH GY - 0201728

Insulating sleeve, color: gray



Insulating sleeve - MPS-IH GN - 0201702

Insulating sleeve, color: green



Insulating sleeve - MPS-IH YE - 0201692

Insulating sleeve, color: yellow



Temperature measuring transducer - MACX MCR-EX-TS-I-OLP - 2908660

Accessories

Insulating sleeve - MPS-IH BU - 0201689

Insulating sleeve, color: blue



Insulating sleeve - MPS-IH RD - 0201676

Insulating sleeve, color: red



Insulating sleeve - MPS-IH WH - 0201663

Insulating sleeve, color: white



Labeled device marker

Plastic label - UC-EMLP (11X9) CUS - 0824547



Plastic label, can be ordered: by sheet, white, labeled according to customer specifications, mounting type: adhesive, lettering field size: 11 x 9 mm

Plastic label - UC-EMLP (11X9) YE CUS - 0824548



Plastic label, can be ordered: by sheet, yellow, labeled according to customer specifications, mounting type: adhesive, lettering field size: 11 x 9 mm

Temperature measuring transducer - MACX MCR-EX-TS-I-OLP - 2908660

Accessories

Plastic label - UC-EMLP (11X9) SR CUS - 0828098



Plastic label, can be ordered: by sheet, silver, labeled according to customer specifications, mounting type: adhesive, lettering field size: 11 x 9 mm, Number of individual labels: 10

Programming adapter

Programming adapter - MCR-PAC-T-USB - 2309000



Programming adapter with USB and T port interface, 2.4 m for programming FA MCR-..., MCR-...-LP-..., and MCR-...-HT-... modules

Programming cable

Cable adapter - GW HART USB MODEM - 1003824



USB HART modem cable for communication between a PC and HART devices, cable length: 1m.

Test plug terminal block

Test plugs - MPS-MT - 0201744



Test plugs, with solder connection up to 1 mm² conductor cross section, color: gray

Phoenix Contact 2020 © - all rights reserved
<http://www.phoenixcontact.com>

PHOENIX CONTACT GmbH & Co. KG
Flachsmarktstr. 8
32825 Blomberg
Germany
Tel. +49 5235 300
Fax +49 5235 3 41200
<http://www.phoenixcontact.com>

X-ON Electronics

Largest Supplier of Electrical and Electronic Components

Click to view similar products for [Unspecified Connectors](#) category:

Click to view products by [Phoenix Contact](#) manufacturer:

Other Similar products are found below :

[1-21107-1](#) [RAD-OUT-8D-REL](#) [RF-17S1N8A80DU](#) [1409899](#) [PSC-28-1](#) [38111](#) [403000A10M050](#) [1-1589688-1](#) [5102110](#) [1200110](#) [1200113](#)
[578286](#) [578272](#) [578411](#) [NPQP-D-R18-Q4-FD-P10](#) [NPQP-D-R18-Q6-FD-P10](#) [NPQP-L-R14-Q6-FD-P10](#) [NPQP-L-R18-Q6-FD-P10](#) [190647](#)
[153341](#) [153322](#) [130642](#) [153169](#) [RC-Z2068](#) [RAD-900-CONF-RF1](#) [RAD-CON-SMA-N-SS](#) [RAD-PIG-EF316-N-RSMA](#) [RAD-ISM-2400-](#)
[ANT-VAN-3-0-R](#) [RIF-0-RPT-12DC/21](#) [RIF-1-BPT/2X21](#) [RIF-RH-1](#) [803579](#) [710-00007](#) [122.005-6](#) [122.012-10](#) [122.012-16](#) [122.018-10](#)
[125.012-14](#) [149.012](#) [2090](#) [1/2-1/8](#) [259.03SB-25](#) [259.04SB-25](#) [259.05SB-25](#) [259.09SB-25](#) [259.11SB-25](#) [259.12SB-25](#) [259.13SB-25](#)
[259.17SB-25](#) [259.18SB-25](#) [259.19SB-25](#)