
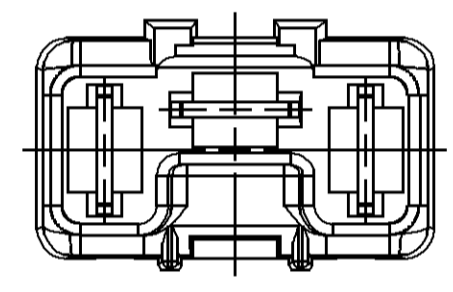
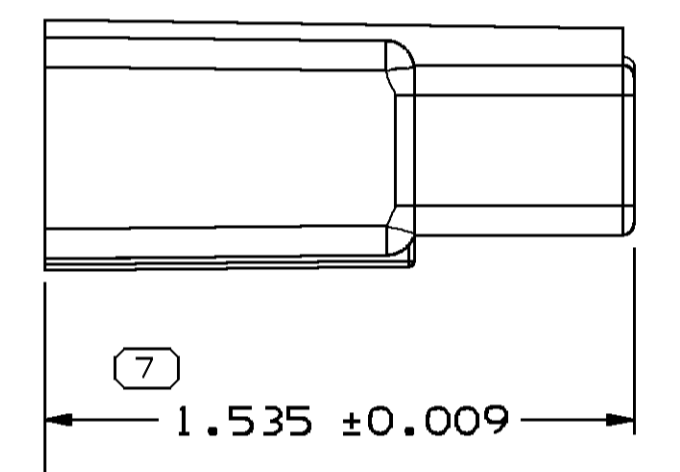
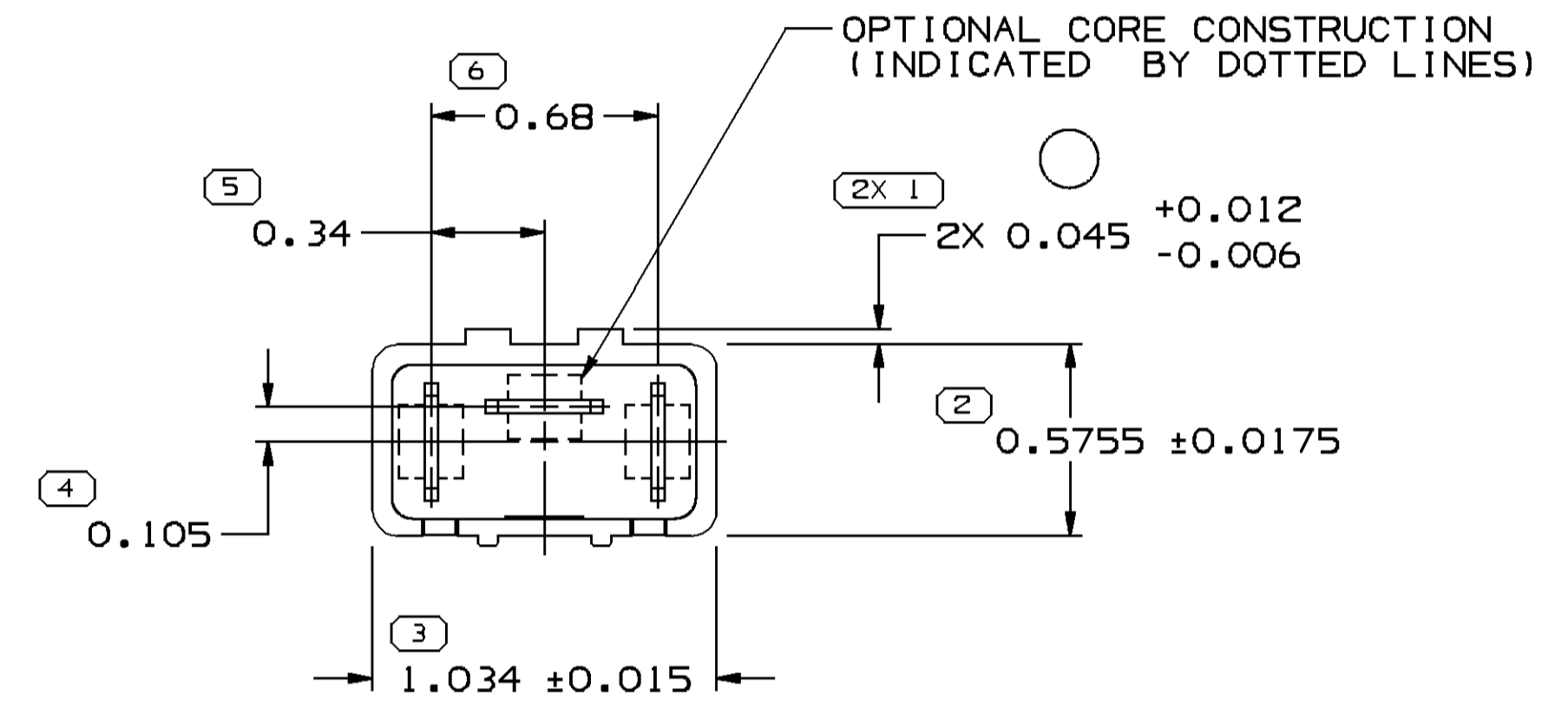
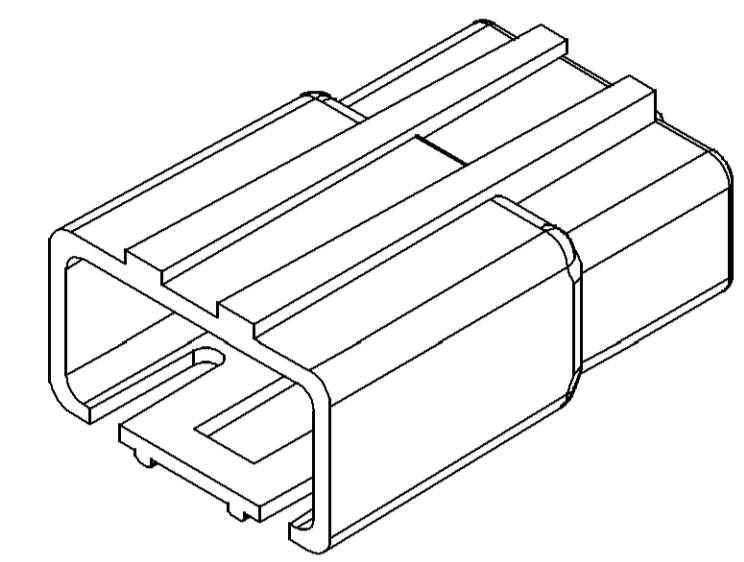
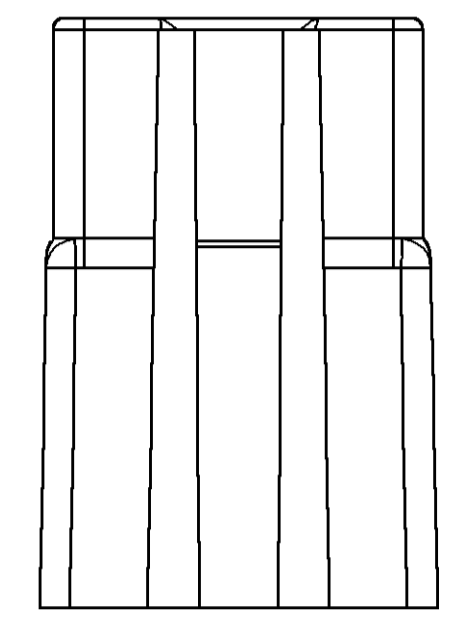
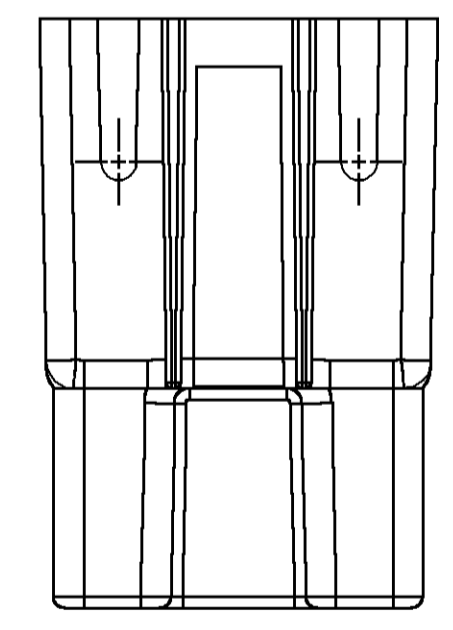


SYMBOL DEFINITION	
A DIMENSION WITHOUT AN INSPECTION REPORT SYMBOL  DOES NOT REQUIRE INSPECTION. IT MAY BE CONTROLLED ON THE INDIVIDUAL COMPONENT DRAWING.	TOTAL NO OF INSPECTIONS REQUIRED
	8
	LAST NO. USED
	7

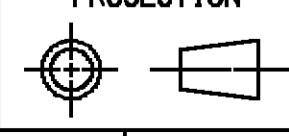
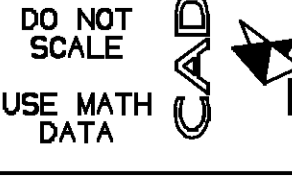

MISSING SYMBOLS					DWG STATUS				REVISION HISTORY				AUTH		DR		APVD	
DATE	STG	REV	N/P	CHG	ZONE	DATE	STG	REV	N/P	CHG	ZONE	AUTH	DR	APVD1	APVD2			
15DEC09	R	02	AB	-								409580	JAR	JPZ	JPZ			
NO MISSING SYMBOL NUMBER											REDRAWN TO PD, REMOVED NOTE #5, ADDED APPLICATION DATA NOTE AND DIM 0.052 +0.012/-0.006 WAS 0.052 +0.005/-0.013							



ASM. DIMENSIONING POINT



- NOTES
- UNLESS OTHERWISE SPECIFIED AND/OR INDICATED:
DIMENSIONS ARE TO FACE OF VIEW SHOWN AND AUTOMATICALLY ROUNDED BY COMPUTER FOR INSPECTION (SEE MATH MODEL FOR PRECISE DIMENSIONS). FOR ALL OTHER DIMENSIONS NOT SHOWN BUT REQUIRED FOR TOOL BUILD, SEE MATH MODEL FOR PRECISE TOOL PATH DATA.
 - MATERIAL RECYCLING CODE PER ISO 11469. (0.090)X(0.003) CHARACTERS AS SHOWN TO BE LOCATED ON ANY EXTERIOR SURFACE. OPTIONAL CONSTRUCTION TO BE NO MATERIAL RECYCLING CODE.
 - THIS PRODUCT IS NOT CATEGORIZED AS AN APPEARANCE ITEM, MINOR IMPERFECTIONS INCLUDING, BUT NOT LIMITED TO, FLOW MARKS, COLOR BLEMISHES, GATE VESTIGE, AND SOFT FLASH THAT DO NOT AFFECT THE FIT, FORM, OR FUNCTION OF THE PART ARE PERMISSIBLE PER DPNP-4.7-CS-01.
 - THIS PART IS NOT CONTROLLED FOR AUTOMATIC FEEDING.
 - (0.090)X(0.003) DELPHI CORPORATE BRAND TO BE LOCATED ON ANY EXTERIOR SURFACE, PREFERABLY VISIBLE AT FINAL ASSEMBLY. OPTIONAL CONSTRUCTION FOR EXISTING TOOLING MAY BE "PED" OR NO LOGO.
 - FOR APPLICATION DATA SEE THE APPLICATION DRAWING.

DWG TYPE PART DRAWING																	
STYLE																	
VOLUME (CPI) 5.037	DISTR CODE D																
UNLESS OTHERWISE SPECIFIED THIS DOCUMENT IS IN ACCORDANCE WITH ASME Y14.5M-1994 AS AMENDED BY THE GM GLOBAL DIMENSIONING AND TOLERANCING ADDENDUM-2001. SEPARATE PATTERNS OF FEATURES MAY BE GAGED SEPARATELY REGARDLESS OF DATUM REFERENCES.																	
ALL DIMENSIONS ARE IN MILLIMETERS																	
REFERENCE																	
THIRD ANGLE PROJECTION	DO NOT SCALE																
																	
USE MATH DATA 																	
<table border="1"> <tr> <th colspan="2">7 PROCESS SENSITIVE DIMENSION</th> </tr> <tr> <td colspan="2">DIMENSIONS ENCLOSED IN () INDICATE REFERENCE DIMENSIONS AND NO TOLERANCE LIMITS ARE ESTABLISHED</td> </tr> <tr> <td>DIMENSIONAL RANGE (MM)</td> <td>CHART H</td> </tr> <tr> <td>FROM 0</td> <td>>.750 >1.250 >2.750</td> </tr> <tr> <td>TO .750 1.250 2.750 4.000 >4.000</td> <td></td> </tr> <tr> <td colspan="2">TOLERANCE UNLESS OTHERWISE SPECIFIED</td> </tr> <tr> <td>±.005</td> <td>±.010 ±.012 ±.016 ±.020</td> </tr> <tr> <td colspan="2">ANGULAR TOLERANCE ±2°</td> </tr> </table>		7 PROCESS SENSITIVE DIMENSION		DIMENSIONS ENCLOSED IN () INDICATE REFERENCE DIMENSIONS AND NO TOLERANCE LIMITS ARE ESTABLISHED		DIMENSIONAL RANGE (MM)	CHART H	FROM 0	>.750 >1.250 >2.750	TO .750 1.250 2.750 4.000 >4.000		TOLERANCE UNLESS OTHERWISE SPECIFIED		±.005	±.010 ±.012 ±.016 ±.020	ANGULAR TOLERANCE ±2°	
7 PROCESS SENSITIVE DIMENSION																	
DIMENSIONS ENCLOSED IN () INDICATE REFERENCE DIMENSIONS AND NO TOLERANCE LIMITS ARE ESTABLISHED																	
DIMENSIONAL RANGE (MM)	CHART H																
FROM 0	>.750 >1.250 >2.750																
TO .750 1.250 2.750 4.000 >4.000																	
TOLERANCE UNLESS OTHERWISE SPECIFIED																	
±.005	±.010 ±.012 ±.016 ±.020																
ANGULAR TOLERANCE ±2°																	

DELPHI	
DELPHI PACKARD ELECTRICAL/ELECTRONIC ARCHITECTURE WARREN, OH	
DR	DATE
APVD1 D.PAKSON	28FE84
APVD2 D.PAKSON	28FE84
APVD3 D.PAKSON	28FE84
APVD4	
APVD5	
SUBSTANCES OF CONCERN AND RECYCLED CONTENT PER DELPHI 10949001	
MATERIAL POLYPROPYLENE COMPOUND BLACK	
DRAWING NAME CONN 3 M 56 SERIES	
DRAWING NUMBER 08900421	
SIZE A1	SCALE 2:1
FRAME NO 1 OF 1	SHEET NO 1 OF 1
STG R	REV 02
N/P AB	

X-ON Electronics

Largest Supplier of Electrical and Electronic Components

Click to view similar products for [Automotive Connectors](#) category:

Click to view products by [Phoenix Contact](#) manufacturer:

Other Similar products are found below :

[003-018-000](#) [60403001](#) [60993906-B](#) [629515004020001](#) [M902-2131](#) [M902-2161](#) [72.330.1035.1](#) [73.353.4028.0](#) [F119300-B](#) [F166900](#)
[F258300-B](#) [F358300-B](#) [F407400](#) [F444110](#) [F487000](#) [F509500B-B](#) [827153-1](#) [8N1515-32-24P](#) [9-1326729-8](#) [925474-1](#) [928905-1](#) [964562-4](#)
[968782-1](#) [GT17SA-8DS-HU](#) [98891-1012](#) [98947-1016](#) [12004475-L](#) [12010290](#) [12010309-B](#) [12015454](#) [12020219-B](#) [12020308](#) [12041318-B](#)
[12052225-L](#) [12052466](#) [12059125](#) [12064869](#) [12004327-B](#) [12010503-B](#) [12015308](#) [12015384](#) [12015909](#) [1-21030-1](#) [12041254](#) [12041318](#)
[12047946-B](#) [12047957](#) [12047957-L](#) [12059473](#) [12066261](#)