

# Relay Module - PLC-RPT-230UC/21AU/MS - 2909676


Please be informed that the data shown in this PDF Document is generated from our Online Catalog. Please find the complete data in the user's documentation. Our General Terms of Use for Downloads are valid (<http://phoenixcontact.com/download>)



PLC-INTERFACE, consisting of PLC-BPT.../21 basic terminal block with Push-in connection and plug-in miniature relay with multi-layer gold contact and manual operation, 1 changeover contact, 230 V AC/220 V DC input voltage



## Key Commercial Data

|              |                                                                                                                   |
|--------------|-------------------------------------------------------------------------------------------------------------------|
| Packing unit | 10 pc                                                                                                             |
| GTIN         | <br>4 0 5 5 6 2 6 3 7 8 0 8 4 |
| GTIN         | 4055626378084                                                                                                     |

## Technical data

### Note

|                         |                                                                           |
|-------------------------|---------------------------------------------------------------------------|
| Utilization restriction | EMC: class A product, see manufacturer's declaration in the download area |
|-------------------------|---------------------------------------------------------------------------|

### Dimensions

|        |        |
|--------|--------|
| Width  | 6.2 mm |
| Height | 80 mm  |
| Depth  | 94 mm  |

### Ambient conditions

|                                         |                   |
|-----------------------------------------|-------------------|
| Ambient temperature (operation)         | -40 °C ... 55 °C  |
| Ambient temperature (storage/transport) | -40 °C ... 85 °C  |
| Degree of protection                    | RT III (Relay)    |
|                                         | IP20 (Relay base) |

### Coil side

|                                |                              |
|--------------------------------|------------------------------|
| Nominal input voltage $U_N$    | 230 V AC                     |
|                                | 220 V DC                     |
| Typical input current at $U_N$ | 3.2 mA (at $U_N = 230$ V AC) |
|                                | 3 mA (at $U_N = 220$ V DC)   |

# Relay Module - PLC-RPT-230UC/21AU/MS - 2909676

## Technical data

### Coil side

|                                         |                                   |
|-----------------------------------------|-----------------------------------|
| Typical response time                   | 7 ms                              |
| Typical release time                    | 15 ms                             |
| Protective circuit                      | Bridge rectifier Bridge rectifier |
| Operating voltage display               | Yellow LED                        |
| Power dissipation for nominal condition | 0.74 W                            |

### Contact side

|                                       |                         |
|---------------------------------------|-------------------------|
| Contact type                          | 1 PDT                   |
| Type of switch contact                | Single contact          |
| Contact material                      | AgSnO, hard gold-plated |
| Maximum switching voltage             | 30 V AC<br>36 V DC      |
| Minimum switching voltage             | 100 mV (at 10 mA)       |
| Min. switching current                | 1 mA (at 24 V)          |
| Maximum inrush current                | 50 mA                   |
| Limiting continuous current           | 50 mA                   |
| Interrupting rating (ohmic load) max. | 1.2 W (at 24 V DC)      |

### Contact side (with destroyed gold layer)

|                                       |                                                                                                                                                |
|---------------------------------------|------------------------------------------------------------------------------------------------------------------------------------------------|
| Note                                  | the following values are applicable if a gold layer is destroyed                                                                               |
| Maximum switching voltage             | 250 V AC/DC                                                                                                                                    |
| Minimum switching voltage             | 5 V (at 100 mA)                                                                                                                                |
| Limiting continuous current           | 6 A                                                                                                                                            |
| Min. switching current                | 10 mA (at 12 V)                                                                                                                                |
| Interrupting rating (ohmic load) max. | 140 W (at 24 V DC)<br>20 W (at 48 V DC)<br>18 W (at 60 V DC)<br>23 W (at 110 V DC)<br>40 W (at 220 V DC)<br>1500 VA (for 250 V AC)             |
| Switching capacity                    | 2 A (at 24 V, DC13)<br>0.2 A (at 110 V, DC13)<br>0.1 A (at 220 V, DC13)<br>3 A (at 24 V, AC15)<br>3 A (at 120 V, AC15)<br>3 A (at 230 V, AC15) |

### General

|                                          |                           |
|------------------------------------------|---------------------------|
| Test voltage relay winding/relay contact | 4 kV AC (50 Hz, 1 min.)   |
| Operating mode                           | 100% operating factor     |
| Flammability rating according to UL 94   | V0 (Housing)              |
| Mechanical service life                  | 2x 10 <sup>7</sup> cycles |

# Relay Module - PLC-RPT-230UC/21AU/MS - 2909676

## Technical data

### General

|                       |                           |
|-----------------------|---------------------------|
| Mounting position     | any                       |
| Assembly instructions | In rows with zero spacing |

### Connection data

|                                  |                                                              |
|----------------------------------|--------------------------------------------------------------|
| Connection name                  | Coil side                                                    |
| Connection method                | Push-in connection                                           |
| Stripping length                 | 8 mm                                                         |
| Conductor cross section solid    | 0.14 mm <sup>2</sup> ... 2.5 mm <sup>2</sup>                 |
| Conductor cross section flexible | 0.14 mm <sup>2</sup> ... 2.5 mm <sup>2</sup>                 |
|                                  | 0.2 mm <sup>2</sup> ... 2.5 mm <sup>2</sup> (Single ferrule) |
|                                  | 2x 0.5 mm <sup>2</sup> ... 1 mm <sup>2</sup> (TWIN ferrule)  |
| Conductor cross section AWG      | 26 ... 14                                                    |

### Connection data 2

|                                  |                                                              |
|----------------------------------|--------------------------------------------------------------|
| Connection name                  | Contact side                                                 |
| Connection method                | Push-in connection                                           |
| Stripping length                 | 8 mm                                                         |
| Conductor cross section solid    | 0.14 mm <sup>2</sup> ... 2.5 mm <sup>2</sup>                 |
| Conductor cross section flexible | 0.14 mm <sup>2</sup> ... 2.5 mm <sup>2</sup>                 |
|                                  | 0.2 mm <sup>2</sup> ... 2.5 mm <sup>2</sup> (Single ferrule) |
|                                  | 2x 0.5 mm <sup>2</sup> ... 1 mm <sup>2</sup> (TWIN ferrule)  |
| Conductor cross section AWG      | 26 ... 14                                                    |

### Standards and Regulations

|                       |                                            |
|-----------------------|--------------------------------------------|
| Designation           | Standards/regulations                      |
| Standards/regulations | IEC 60664                                  |
|                       | IEC 60664A                                 |
|                       | DIN VDE 0110                               |
|                       | DIN EN 50178/VDE 0160 (in relevant parts)  |
|                       | DIN EN 50178/VDE 0160                      |
|                       | IEC 60255/DIN VDE 0435 (in relevant parts) |
| Pollution degree      | 3                                          |
| Overvoltage category  | III                                        |
| Conformance           | CE-compliant                               |

### Conformance/approvals

|                |              |
|----------------|--------------|
| Designation    | CE           |
| Identification | CE-compliant |

### Environmental Product Compliance

|            |                                                |
|------------|------------------------------------------------|
| REACH SVHC | Lead 7439-92-1                                 |
| China RoHS | Environmentally Friendly Use Period = 50 years |

# Relay Module - PLC-RPT-230UC/21AU/MS - 2909676

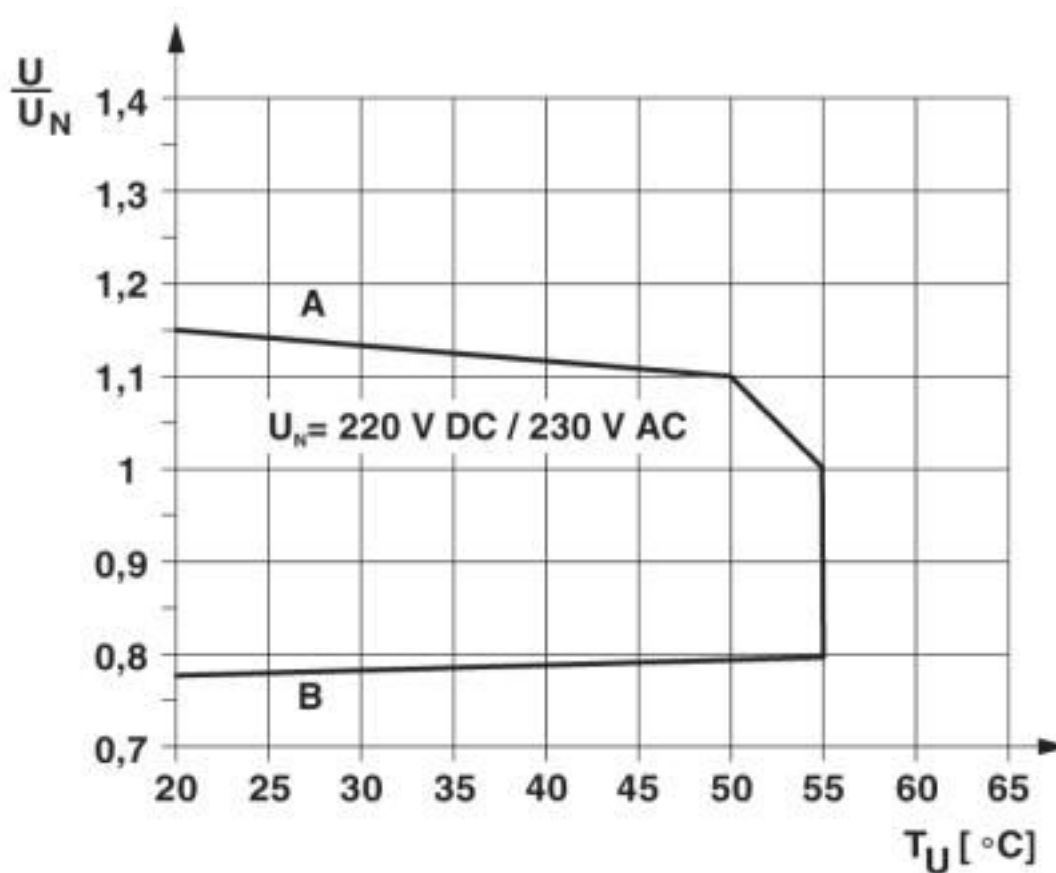
## Technical data

### Environmental Product Compliance

|  |                                                                                                     |
|--|-----------------------------------------------------------------------------------------------------|
|  | For details about hazardous substances go to tab "Downloads", Category "Manufacturer's declaration" |
|--|-----------------------------------------------------------------------------------------------------|

## Drawings

Diagram



Curve A

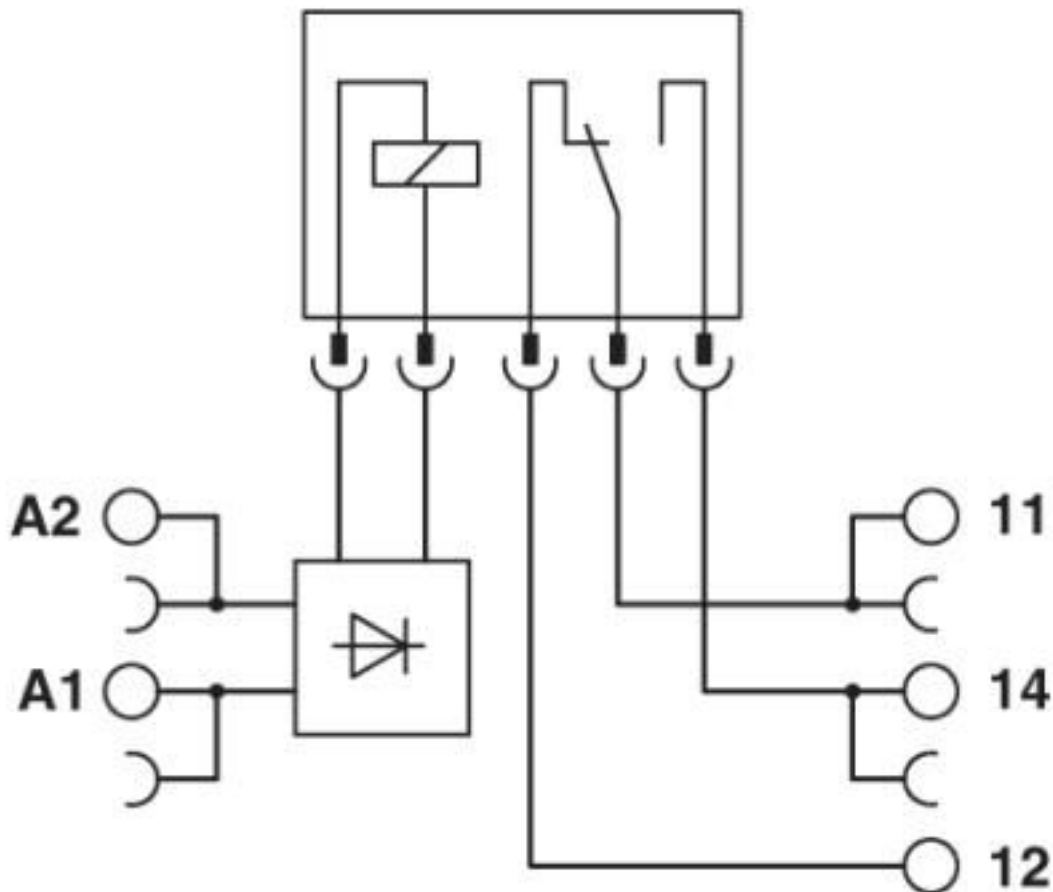
Maximum permissible continuous voltage  $U_{max}$  with limiting continuous current on the contact side (see relevant technical data)

Curve B

Minimum permissible operate voltage  $U_{op}$  after pre-excitation (see relevant technical data)

# Relay Module - PLC-RPT-230UC/21AU/MS - 2909676

Circuit diagram



## Articles in set

Relay base - PLC-BPT-230UC/21 - 2900281



6.2 mm PLC basic terminal block with push-in connection, without relay or solid-state relay, for mounting on DIN rail NS 35/7,5, 1 PDT, input voltage 230 V AC/DC

Single relay - REL-MR- 60DC/21AU/MS - 2909647



Plug-in miniature power relay, with multi-layer gold contact, 1 changeover contact, manual operation, 60 V DC input voltage

# Relay Module - PLC-RPT-230UC/21AU/MS - 2909676

## Classifications

### eCl@ss

|               |          |
|---------------|----------|
| eCl@ss 10.0.1 | 27371601 |
| eCl@ss 5.0    | 27371600 |
| eCl@ss 5.1    | 27371600 |
| eCl@ss 6.0    | 27371600 |
| eCl@ss 7.0    | 27371601 |
| eCl@ss 8.0    | 27371601 |
| eCl@ss 9.0    | 27371601 |

### ETIM

|          |          |
|----------|----------|
| ETIM 2.0 | EC001437 |
| ETIM 3.0 | EC001437 |
| ETIM 4.0 | EC001437 |
| ETIM 5.0 | EC001437 |
| ETIM 6.0 | EC001437 |
| ETIM 7.0 | EC001437 |

### UNSPSC

|             |          |
|-------------|----------|
| UNSPSC 13.2 | 39122334 |
| UNSPSC 18.0 | 39122334 |
| UNSPSC 19.0 | 39122334 |
| UNSPSC 20.0 | 39122334 |
| UNSPSC 21.0 | 39122334 |

## Approvals

### Approvals

#### Approvals

DNV GL / EAC / EAC

#### Ex Approvals

### Approval details

|        |                                                                                     |                                                                                   |               |
|--------|-------------------------------------------------------------------------------------|-----------------------------------------------------------------------------------|---------------|
| DNV GL |  | <a href="https://approvalfinder.dnvgl.com/">https://approvalfinder.dnvgl.com/</a> | TAE0000196-03 |
|--------|-------------------------------------------------------------------------------------|-----------------------------------------------------------------------------------|---------------|

# Relay Module - PLC-RPT-230UC/21AU/MS - 2909676

## Approvals

|     |  |                 |
|-----|--|-----------------|
| EAC |  | TR_TS_D_00573_c |
|-----|--|-----------------|

|     |  |                         |
|-----|--|-------------------------|
| EAC |  | RU*C-<br>DE.*08.B.00010 |
|-----|--|-------------------------|

## Accessories

### Accessories

#### Bridge

Continuous plug-in bridge - FBST 500-PLC RD - 2966786



Continuous plug-in bridge, length: 500 mm, color: red

Continuous plug-in bridge - FBST 500-PLC BU - 2966692



Continuous plug-in bridge, length: 500 mm, color: blue

Continuous plug-in bridge - FBST 500-PLC GY - 2966838



Continuous plug-in bridge, length: 500 mm, color: gray

Single plug-in bridge - FBST 6-PLC RD - 2966236



Single plug-in bridge, length: 6 mm, number of positions: 2, color: red

## Relay Module - PLC-RPT-230UC/21AU/MS - 2909676

### Accessories

Single plug-in bridge - FBST 6-PLC BU - 2966812



Single plug-in bridge, length: 6 mm, number of positions: 2, color: blue

---

Single plug-in bridge - FBST 6-PLC GY - 2966825



Single plug-in bridge, length: 6 mm, number of positions: 2, color: gray

---

Single plug-in bridge - FBST 8-PLC GY - 2967688



Single plug-in bridge, length: 8 mm, number of positions: 2, color: gray

---

### Controller board

System connection - PLC-V8/FLK14/IN - 2296553



V8 adapter for 8 x PLC-INTERFACE (6.2 mm), controller: PLC system cabling of input cards, connection 1: Screw connection 1x, connection 2: IDC/FLK pin strip 1x 14-position, connection 3: Plug connection (Can be snapped onto 8x PLC-INTERFACE terminals), number of channels: 8, control logic: positive switching

---

System connection - PLC-V8/FLK14/IN/M - 2304115



V8 adapter for 8 x PLC-INTERFACE (6.2 mm), controller: PLC system cabling of input cards, connection 1: Screw connection 1x, connection 2: IDC/FLK pin strip 1x 14-position, connection 3: Plug connection (Can be snapped onto 8x PLC-INTERFACE terminals), number of channels: 8, control logic: negative switching

---



## Relay Module - PLC-RPT-230UC/21AU/MS - 2909676

### Accessories

#### System connection - PLC-V8/D15S/IN - 2296074



V8 adapter for 8 x PLC-INTERFACE (6.2 mm), controller: PLC system cabling of input cards, connection 1: Screw connection 1x, connection 2: D-SUB pin strip 1x 15-position, connection 3: Plug connection (Can be snapped onto 8x PLC-INTERFACE terminals), number of channels: 8, control logic: positive switching

---

#### System connection - PLC-V8/D15B/IN - 2296087



V8 adapter for 8 x PLC-INTERFACE (6.2 mm), controller: PLC system cabling of input cards, connection 1: Screw connection 1x, connection 2: D-SUB socket strip 1x 15-position, connection 3: Plug connection (Can be snapped onto 8x PLC-INTERFACE terminals), number of channels: 8, control logic: positive switching

---

### DIN rail

#### DIN rail perforated - NS 35/ 7,5 PERF 2000MM - 0801733



DIN rail perforated, Standard profile, width: 35 mm, height: 7.5 mm, acc. to EN 60715, material: Steel, galvanized, passivated with a thick layer, length: 2000 mm, color: silver

---

#### DIN rail, unperforated - NS 35/ 7,5 UNPERF 2000MM - 0801681



DIN rail, unperforated, Standard profile, width: 35 mm, height: 7.5 mm, acc. to EN 60715, material: Steel, galvanized, passivated with a thick layer, length: 2000 mm, color: silver

---

#### DIN rail perforated - NS 35/ 7,5 WH PERF 2000MM - 1204119



DIN rail perforated, Standard profile, width: 35 mm, height: 7.5 mm, acc. to EN 60715, material: Steel, Galvanized, white passivated, length: 2000 mm, color: silver

## Relay Module - PLC-RPT-230UC/21AU/MS - 2909676

### Accessories

DIN rail, unperforated - NS 35/ 7,5 WH UNPERF 2000MM - 1204122



DIN rail, unperforated, Standard profile, width: 35 mm, height: 7.5 mm, acc. to EN 60715, material: Steel, Galvanized, white passivated, length: 2000 mm, color: silver

---

DIN rail, unperforated - NS 35/ 7,5 AL UNPERF 2000MM - 0801704



DIN rail, unperforated, Standard profile, width: 35 mm, height: 7.5 mm, acc. to EN 60715, material: Aluminum, uncoated, length: 2000 mm, color: silver

---

DIN rail perforated - NS 35/ 7,5 ZN PERF 2000MM - 1206421



DIN rail perforated, Standard profile, width: 35 mm, height: 7.5 mm, acc. to EN 60715, material: Steel, galvanized, length: 2000 mm, color: silver

---

DIN rail, unperforated - NS 35/ 7,5 ZN UNPERF 2000MM - 1206434



DIN rail, unperforated, Standard profile, width: 35 mm, height: 7.5 mm, acc. to EN 60715, material: Steel, galvanized, length: 2000 mm, color: silver

---

DIN rail, unperforated - NS 35/ 7,5 CU UNPERF 2000MM - 0801762



DIN rail, unperforated, Standard profile, width: 35 mm, height: 7.5 mm, acc. to EN 60715, material: Copper, uncoated, length: 2000 mm, color: copper-colored

---

## Relay Module - PLC-RPT-230UC/21AU/MS - 2909676

### Accessories

End cap - NS 35/ 7,5 CAP - 1206560

DIN rail end piece, for DIN rail NS 35/7.5



---

DIN rail perforated - NS 35/15 PERF 2000MM - 1201730



DIN rail perforated, Standard profile, width: 35 mm, height: 15 mm, similar to EN 60715, material: Steel, galvanized, passivated with a thick layer, length: 2000 mm, color: silver

---

DIN rail, unperforated - NS 35/15 UNPERF 2000MM - 1201714



DIN rail, unperforated, Standard profile, width: 35 mm, height: 15 mm, similar to EN 60715, material: Steel, galvanized, passivated with a thick layer, length: 2000 mm, color: silver

---

DIN rail perforated - NS 35/15 WH PERF 2000MM - 0806602



DIN rail perforated, Standard profile, width: 35 mm, height: 15 mm, similar to EN 60715, material: Steel, Galvanized, white passivated, length: 2000 mm, color: silver

---

DIN rail, unperforated - NS 35/15 WH UNPERF 2000MM - 1204135



DIN rail, unperforated, Standard profile, width: 35 mm, height: 15 mm, similar to EN 60715, material: Steel, Galvanized, white passivated, length: 2000 mm, color: silver

---

## Relay Module - PLC-RPT-230UC/21AU/MS - 2909676

### Accessories

DIN rail, unperforated - NS 35/15 AL UNPERF 2000MM - 1201756



DIN rail, unperforated, Standard profile, width: 35 mm, height: 15 mm, similar to EN 60715, material: Aluminum, uncoated, length: 2000 mm, color: silver

---

DIN rail perforated - NS 35/15 ZN PERF 2000MM - 1206599



DIN rail perforated, Standard profile, width: 35 mm, height: 15 mm, similar to EN 60715, material: Steel, galvanized, length: 2000 mm, color: silver

---

DIN rail, unperforated - NS 35/15 ZN UNPERF 2000MM - 1206586



DIN rail, unperforated, Standard profile, width: 35 mm, height: 15 mm, similar to EN 60715, material: Steel, galvanized, length: 2000 mm, color: silver

---

DIN rail, unperforated - NS 35/15 CU UNPERF 2000MM - 1201895



DIN rail, unperforated, Standard profile, width: 35 mm, height: 15 mm, similar to EN 60715, material: Copper, uncoated, length: 2000 mm, color: copper-colored

---

End cap - NS 35/15 CAP - 1206573



DIN rail end piece, for DIN rail NS 35/15

---

## Relay Module - PLC-RPT-230UC/21AU/MS - 2909676

### Accessories

DIN rail, unperforated - NS 35/15-2,3 UNPERF 2000MM - 1201798



DIN rail, unperforated, Standard profile 2.3 mm, width: 35 mm, height: 15 mm, acc. to EN 60715, material: Steel, galvanized, passivated with a thick layer, length: 2000 mm, color: silver

---

### Labeled terminal marker

Zack marker strip - ZB 6 CUS - 0824992



Zack marker strip, can be ordered: Strip, white, labeled according to customer specifications, mounting type: snap into tall marker groove, for terminal block width: 6.2 mm, lettering field size: 6.15 x 10.5 mm, Number of individual labels: 10

---

Zack marker strip - ZB 6,LGS:FORTL.ZAHLEN - 1051016



Zack marker strip, Strip, white, labeled, can be labeled with: CMS-P1-PLOTTER, printed horizontally: consecutive numbers 1 ... 10, 11 ... 20, etc. up to 491 ... 500, mounting type: snap into tall marker groove, for terminal block width: 6.2 mm, lettering field size: 6.15 x 10.5 mm, Number of individual labels: 10

---

Zack marker strip - ZB 6,QR:FORTL.ZAHLEN - 1051029



Zack marker strip, Strip, white, labeled, can be labeled with: CMS-P1-PLOTTER, Printed vertically: consecutive numbers 1 ... 10, 11 ... 20, etc. up to 491 ... 500, mounting type: snap into tall marker groove, for terminal block width: 6.2 mm, lettering field size: 6.15 x 10.5 mm, Number of individual labels: 10

---

Zack marker strip - ZB 6,LGS:GLEICHE ZAHLEN - 1051032



Zack marker strip, Strip, white, labeled, can be labeled with: CMS-P1-PLOTTER, printed horizontally: Identical numbers 1 or 2, etc. up to 100, mounting type: snap into tall marker groove, for terminal block width: 6.2 mm, lettering field size: 6.15 x 10.5 mm, Number of individual labels: 10

## Relay Module - PLC-RPT-230UC/21AU/MS - 2909676

### Accessories

Marker for terminal blocks - ZB 6,LGS:L1-N,PE - 1051414



Marker for terminal blocks, Strip, white, labeled, can be labeled with: CMS-P1-PLOTTER, horizontal: L1, L2, L3, N, PE, L1, L2, L3, N, PE, mounting type: snap into tall marker groove, for terminal block width: 6.2 mm, lettering field size: 6.15 x 10.5 mm, Number of individual labels: 10

Marker for terminal blocks - ZB 6,LGS:U-N - 1051430



Marker for terminal blocks, Strip, white, labeled, can be labeled with: CMS-P1-PLOTTER, printed horizontally: U, V, W, N, GND, U, V, W, N, GND, mounting type: snap into tall marker groove, for terminal block width: 6.2 mm, lettering field size: 6.15 x 10.5 mm, Number of individual labels: 10

Marker for terminal blocks - UC-TM 6 CUS - 0824589



Marker for terminal blocks, can be ordered: by sheet, white, labeled according to customer specifications, mounting type: snap into tall marker groove, for terminal block width: 6.2 mm, lettering field size: 5.6 x 10.5 mm, Number of individual labels: 80

Marker for terminal blocks - UCT-TM 6 CUS - 0829602



Marker for terminal blocks, can be ordered: by sheet, white, labeled according to customer specifications, mounting type: snap into tall marker groove, for terminal block width: 6.2 mm, lettering field size: 5.6 x 10.5 mm, Number of individual labels: 60

### Partition plate

Separating plate - PLC-ATP BK - 2966841



Separating plate, 2 mm thick, required at the start and end of a PLC terminal strip. Furthermore, it is used for: visual separation of groups, safe isolation of different voltages of neighboring PLC relays in acc. with DIN VDE 0106-101, isolation

### Power module

# Relay Module - PLC-RPT-230UC/21AU/MS - 2909676

## Accessories

Power terminal block - PLC-ESK GY - 2966508



Power terminal block, for the input of up to four potentials, for mounting on NS 35/7.5

---

## Screwdriver tools

Screwdriver - SZF 1-0,6X3,5 - 1204517



Actuation tool, for ST terminal blocks, also suitable for use as a bladed screwdriver, size: 0.6 x 3.5 x 100 mm, 2-component grip, with non-slip grip

---

## Terminal marking

Zack marker strip - ZB 6:UNBEDRUCKT - 1051003



Zack marker strip, Strip, white, unlabeled, can be labeled with: PLOTMARK, CMS-P1-PLOTTER, mounting type: snap into tall marker groove, for terminal block width: 6.2 mm, lettering field size: 6.15 x 10.5 mm, Number of individual labels: 10

---

Marker for terminal blocks - UC-TM 6 - 0818085



Marker for terminal blocks, Sheet, white, unlabeled, can be labeled with: BLUEMARK ID COLOR, BLUEMARK ID, BLUEMARK CLED, PLOTMARK, CMS-P1-PLOTTER, mounting type: snap into tall marker groove, for terminal block width: 6.2 mm, lettering field size: 5.6 x 10.5 mm, Number of individual labels: 80

---

Marker for terminal blocks - UCT-TM 6 - 0828736



Marker for terminal blocks, Sheet, white, unlabeled, can be labeled with: TOPMARK NEO, TOPMARK LASER, BLUEMARK ID COLOR, BLUEMARK ID, BLUEMARK CLED, THERMOMARK PRIME, THERMOMARK CARD 2.0, THERMOMARK CARD, mounting type: snap into tall marker groove, for terminal block width: 6.2 mm, lettering field size: 5.6 x 10.5 mm, Number of individual labels: 60

---

## Spare parts

## Relay Module - PLC-RPT-230UC/21AU/MS - 2909676

### Accessories

Relay base - PLC-BPT-230UC/21 - 2900281



6.2 mm PLC basic terminal block with push-in connection, without relay or solid-state relay, for mounting on DIN rail NS 35/7,5, 1 PDT, input voltage 230 V AC/DC

---

Single relay - REL-MR- 60DC/21AU/MS - 2909647



Plug-in miniature power relay, with multi-layer gold contact, 1 changeover contact, manual operation, 60 V DC input voltage

---

Phoenix Contact 2020 © - all rights reserved  
<http://www.phoenixcontact.com>

PHOENIX CONTACT GmbH & Co. KG  
Flachsmarktstr. 8  
32825 Blomberg  
Germany  
Tel. +49 5235 300  
Fax +49 5235 3 41200  
<http://www.phoenixcontact.com>



## X-ON Electronics

Largest Supplier of Electrical and Electronic Components

*Click to view similar products for [Industrial Relays](#) category:*

*Click to view products by [Phoenix Contact](#) manufacturer:*

Other Similar products are found below :

[6-1617801-8](#) [6-1618107-9](#) [7-1618273-3](#) [EV250-4A-02](#) [EV250-6A-01](#) [FCA-125-CX8](#) [FCA-325-159](#) [FCA-410-138](#) [8000-S3121](#) [8-1618273-6](#)  
[8-1618393-1](#) [GCA63A220VAC60HZ](#) [GCA63A277VAC60HZ](#) [GCA63A600VAC60HZ](#) [1-1672275-3](#) [1-1833005-4](#) [H-16/S1](#) [A711Z](#) [H-8C](#)  
[H-8/S11](#) [H-8/S68](#) [ACC530U20](#) [ACC730U30](#) [RF303ZM4-12](#) [DH18DA](#) [1423675-8](#) [AR4-15F13-C01](#) [AR7-41F11](#) [AVR907](#) [15732A200](#)  
[B07B032AC1-0329](#) [B329](#) [B490A](#) [1618279-1](#) [BHR124Y](#) [1810DDB-SX](#) [N417](#) [P30C42A12D1-120](#) [2-1617748-6](#) [2-1618375-1](#) [2-1618396-6](#)  
[2-1618398-1](#) [JMAPD-5XL](#) [JMGACD-5M](#) [JMGSC-5LW](#) [JMGSCD-5L](#) [PBO-18A1218](#) [PBO-40A3040](#) [K8DSPH1200480VAC](#) [KA-3C-12A](#)