

# Input/output module - IOA REL 120V DI/1.0A/EX - 2910157

Please be informed that the data shown in this PDF Document is generated from our Online Catalog. Please find the complete data in the user's documentation. Our General Terms of Use for Downloads are valid (<http://phoenixcontact.com/download>)



Relay module for VIP I/O-Marshalling base elements. For the electrically isolated coupling of 120 V AC field devices to digital inputs. Integrated fuse and fuse failure indication.

## Product Description

Relay module for digital input signals for the electrically isolated coupling of 120 V AC field devices. The control path is protected by an integrated replaceable 1 A fuse. If the fuse fails, this is indicated by an LED. The module is installed on a corresponding VIP I/O-Marshalling base element by means of plug-in contact. Installation in zone 2, "ec" type of protection is permitted.

## Your advantages

- Active relay coil indication
- Two-stage progressive release allowing for voltage checks with field-powered devices
- Channel for marking accessories
- Replaceable TE5-style fusing
- 120 V internal marshalling option for connected field device



## Key Commercial Data

Packing unit	1 pc
GTIN	
GTIN	4055626447704

## Technical data

### Dimensions

Width	10.3 mm
Height	64.2 mm
Depth	72.9 mm

### Ambient conditions

Ambient temperature (operation)	-40 °C ... 70 °C
Ambient temperature (storage/transport)	-40 °C ... 70 °C
Permissible humidity (operation)	0 % ... 95 % (non-condensing)
Degree of protection	IP20

# Input/output module - IOA REL 120V DI/1.0A/EX - 2910157

## Technical data

### Coil side

Nominal input voltage $U_N$	120 V AC
Input voltage range in reference to $U_N$	0.9 ... 1.1
Typical input current at $U_N$	3 mA
Typical response time	5 ms
Typical release time	4 ms
Protective circuit	Bridge rectifier
Operating voltage display	Yellow LED

### Contact side

Contact type	1 N/O contact
Type of switch contact	Single contact
Contact material	AgSnO, hard gold-plated
Maximum switching voltage	24 V DC
Min. switching current	1 mA (at 24 V)
Maximum inrush current	50 mA
Limiting continuous current	50 mA
Interrupting rating (ohmic load) max.	1.2 W (at 24 V DC)

### Connection data

Connection name	Control circuits
Connection method	Pin strip

### General

Operating mode	100% operating factor
Flammability rating according to UL 94	V0
Mechanical service life	$2 \times 10^7$ cycles
Mounting position	any
Assembly instructions	Plugs into VIP/...BASE...

### Standards and Regulations

Standards/regulations	IEC 60664
	DIN EN 50178
Pollution degree	2
Overvoltage category	II
Conformance	ANSI/ISA 60079-0; 60079-15
	ANSI/IEC 60529
	FM 3600; 3611; 3810
ATEX	Sira 17ATEX4293X; II 3G Ex nA nC IIC T4 Gc
IECEX	IECEX SIR 17.0078X; Ex nA nC IIC T4 Gc
UL, USA/Canada	Class I, Div. 2, Groups A, B, C, D T4 Class I, Zone 2, IIC T4
CSA, USA/Canada	Class I, Div. 2, Groups A, B, C, D T4 Class I, Zone 2, AEx nA nC IIC T4 Gc Class I, Div. 2, Groups A, B, C, D T4

# Input/output module - IOA REL 120V DI/1.0A/EX - 2910157

## Technical data

### Standards and Regulations

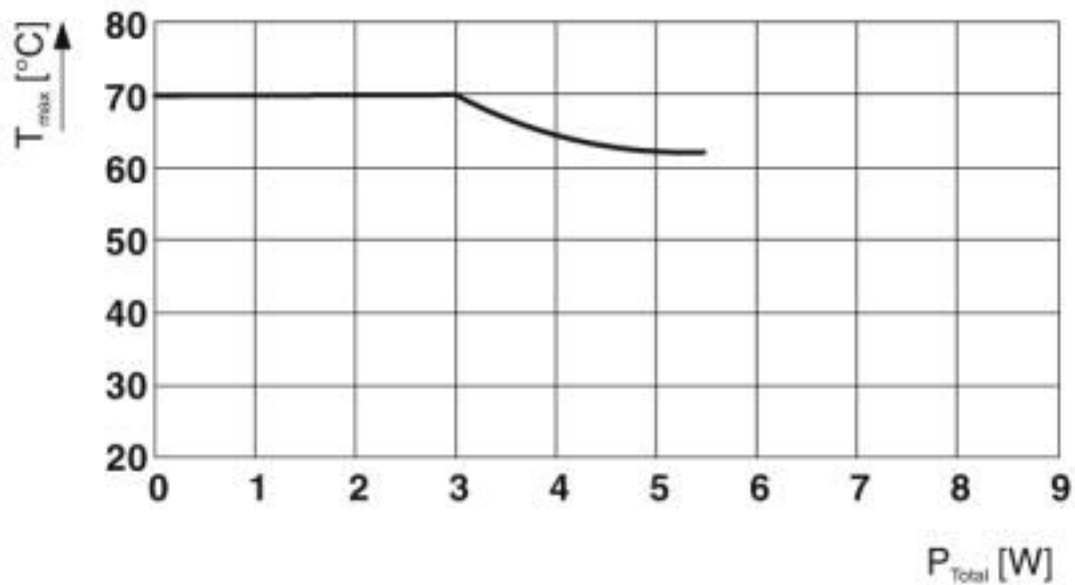
	Ex nA nC IIC T4 Gc
--	--------------------

### Environmental Product Compliance

China RoHS	Environmentally Friendly Use Period = 50 years
	For details about hazardous substances go to tab "Downloads", Category "Manufacturer's declaration"

## Drawings

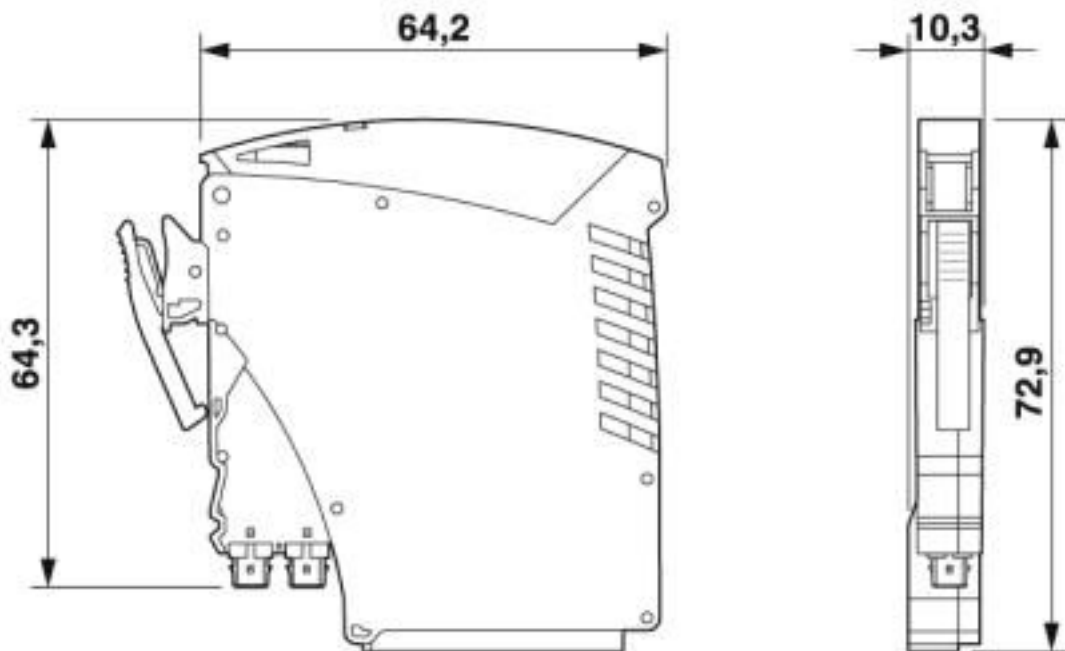
Diagram



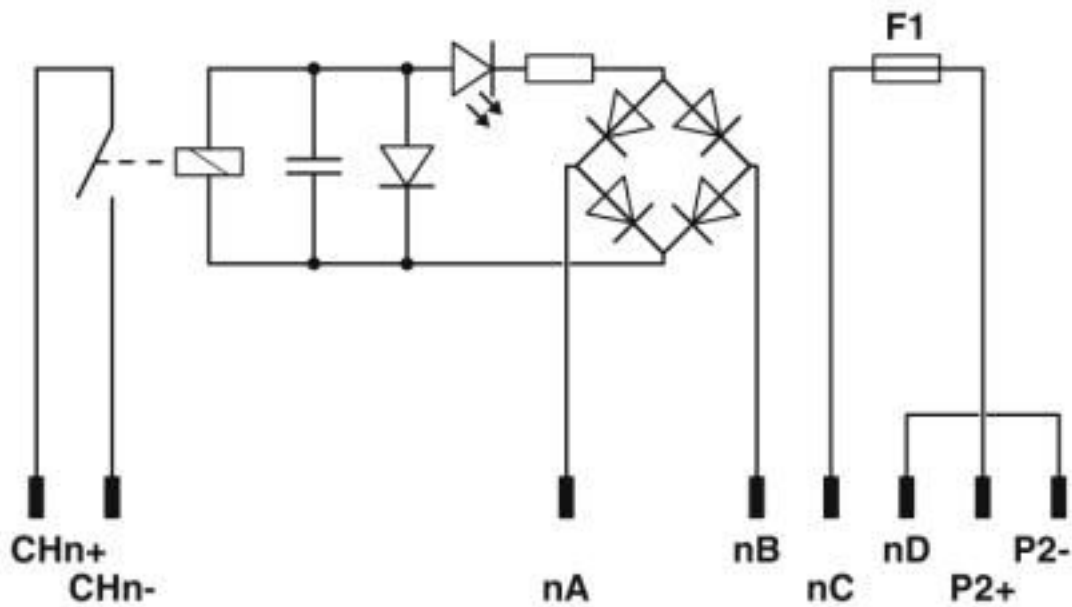
Derating curve

# Input/output module - IOA REL 120V DI/1.0A/EX - 2910157

Dimensional drawing



Circuit diagram



## Classifications

eCl@ss

eCl@ss 10.0.1	27371601
eCl@ss 5.0	27371601
eCl@ss 5.1	27371601

# Input/output module - IOA REL 120V DI/1.0A/EX - 2910157

## Classifications

### eCl@ss

eCl@ss 6.0	27371601
eCl@ss 7.0	27141152
eCl@ss 8.0	27371601
eCl@ss 9.0	27371601

### ETIM

ETIM 2.0	EC001437
ETIM 3.0	EC001437
ETIM 4.0	EC001437
ETIM 5.0	EC001437
ETIM 6.0	EC001437
ETIM 7.0	EC001437

## Accessories

### Accessories

#### Marker pen

Marker pen - B-STIFT - 1051993



Marker pen, for manual labeling of unprinted Zack strips, smear-proof and waterproof, line thickness 0.5 mm

---

### Terminal marking

Marker for terminal blocks - UC-TM 6 - 0818085



Marker for terminal blocks, Sheet, white, unlabeled, can be labeled with: BLUEMARK ID COLOR, BLUEMARK ID, BLUEMARK CLED, PLOTMARK, CMS-P1-PLOTTER, mounting type: snap into tall marker groove, for terminal block width: 6.2 mm, lettering field size: 5.6 x 10.5 mm, Number of individual labels: 80

---

Zack marker strip - ZB 5,08:UNBEDRUCKT - 0809793



Zack marker strip, Strip, white, unlabeled, can be labeled with: PLOTMARK, CMS-P1-PLOTTER, mounting type: snap into tall marker groove, for terminal block width: 5.08 mm, lettering field size: 4.98 x 10.5 mm, Number of individual labels: 10

---

### Necessary add-on products

## Input/output module - IOA REL 120V DI/1.0A/EX - 2910157

### Accessories

Base module - VIP/S/MC/BASE 1-8/L/EX - 2906596



VIP base module with input/output accessories (IOA) provide universal channel configuration. This module has markings for channels 1-8.

---

Base module - VIP/S/MC/BASE 9-16/L/EX - 2906630



VIP base module with input/output accessories (IOA) provide universal channel configuration. This module has markings for channels 9-16.

---

Base module - VIP/S/MC/BASE 17-24/L/EX - 2907024



VIP base module with input/output accessories (IOA) provide universal channel configuration. This module has markings for channels 17-24.

---

Base module - VIP/S/MC/BASE 25-32/L/EX - 2907025



VIP base module with input/output accessories (IOA) provide universal channel configuration. This module has markings for channels 25-32.

---

Base module - VIP/S/MC/BASE 1-8/L/C/EX - 2907186



VIP base module with input/output accessories (IOA) provide universal channel configuration. This module has markings for channels 1-8 and includes conformal coating of the printed circuit board assembly.

---

## Input/output module - IOA REL 120V DI/1.0A/EX - 2910157

### Accessories

Base module - VIP/S/MC/BASE 9-16/L/C/EX - 2907187



VIP base module with input/output accessories (IOA) provide universal channel configuration. This module has markings for channels 9-16 and includes conformal coating of the printed circuit board assembly.

---

Base module - VIP/S/MC/BASE 17-24/L/C/EX - 2907209



VIP base module with input/output accessories (IOA) provide universal channel configuration. This module has markings for channels 17-24 and includes conformal coating of the printed circuit board assembly.

---

Base module - VIP/S/MC/BASE 25-32/L/C/EX - 2907210



VIP base module with input/output accessories (IOA) provide universal channel configuration. This module has markings for channels 25-32 and includes conformal coating of the printed circuit board assembly.

---

Base module - VIP/S/D25M/BASE 1-8/L/C/EX - 2906595



VIP base module with input/output accessories (IOA) provide universal channel configuration. This module with the D-SUB 25 connector is pin compatible to the Foxboro I/A series DCS.

---

Base module - VIP/MSTB/D50M/BASE/16CH/CX/EX - 2908788



VIP base module with input/output accessories (IOA) provide universal channel configuration. This module with the D-SUB 50 connector is pin compatible to the Tricon CX series DCS.

---

### Spare parts

## Input/output module - IOA REL 120V DI/1.0A/EX - 2910157

### Accessories

Fuse set - FUSE/TE5/1A/F-10PCS - 2905277



Plug-in fuse (TE5<sup>®</sup>); nominal current: 1 A; tripping behavior: fast-blow (F)

---

Phoenix Contact 2020 © - all rights reserved  
<http://www.phoenixcontact.com>

PHOENIX CONTACT GmbH & Co. KG  
Flachsmarktstr. 8  
32825 Blomberg  
Germany  
Tel. +49 5235 300  
Fax +49 5235 3 41200  
<http://www.phoenixcontact.com>



## X-ON Electronics

Largest Supplier of Electrical and Electronic Components

*Click to view similar products for [I/O Modules](#) category:*

*Click to view products by [Phoenix Contact](#) manufacturer:*

Other Similar products are found below :

[70L-IDC5S](#) [70L-OAC-L](#) [70Z3289-4](#) [G21960000700](#) [G21960002700](#) [G34960002700](#) [OACU](#) [C4SWOUT](#) [PB16H](#) [G34960001700](#) [G3TA-OA101SZ-1](#) [DC24](#) [G77-S](#) [5607189](#) [DA5](#) [ODC-24A](#) [IDC5P](#) [FC6A-N16B1](#) [6421](#) [70MRCQ32-HL](#) [G3TAOD201SDC24](#) [C200H-LK201-V1](#)  
[G3TA-OA202SZ-US](#) [DC12](#) [GT1-OD16](#) [GT1-AD04CST](#) [B7AM-6BS](#) [70GRCQ24-HS](#) [6422](#) [84110410](#) [GT1-OD16MX](#) [G7VC-OC16-B7](#)  
[70MRCK24-DIN](#) [6202](#) [6402](#) [PI/NI-2D/24](#) [FC6A-J2C1](#) [FC6A-KC1C](#) [FC6A-R081](#) [FC6A-J8CU1](#) [GP32900003700](#) [641-480-5022](#) [PB16H](#)  
[84145010](#) [84110210](#) [FRUSB1601](#) [PCL-720+-BE](#) [FRRJ451601](#) [AP24MX3DB25F](#) [ADAM-5053S-AE](#) [WISE-S614-A](#) [C200H-OD211](#)