

## Type 1 surge protection plug - VAL-US-480D/30-P - 2910340

Please be informed that the data shown in this PDF Document is generated from our Online Catalog. Please find the complete data in the user's documentation. Our General Terms of Use for Downloads are valid (<http://phoenixcontact.com/download>)



UL Recognized type 1 SPD and IEC type 2 surge protection plug with a varistor and thermal disconnect for use with VAL-US base elements, mechanical and visual fault warning

### Product Description

Surge protective device replacement plug

### Your advantages

- ✓ Plugs can be checked with CHECKMASTER
- ✓ Thermal disconnect device for each individual plug
- ✓ Pluggable
- ✓ Mechanical coding of all slots
- ✓ Consists of base element and plug
- ✓ Optical, mechanical status indication for the individual arresters



### Key Commercial Data

Packing unit	1 pc
GTIN	
GTIN	4055626444826

### Technical data

#### Dimensions

Height	52.4 mm
Width	17.5 mm
Depth	55.3 mm
Horizontal pitch	1 Div.

#### Ambient conditions

Degree of protection	IP20
Ambient temperature (operation)	-40 °C ... 80 °C
Ambient temperature (storage/transport)	-40 °C ... 80 °C

# Type 1 surge protection plug - VAL-US-480D/30-P - 2910340

## Technical data

### Ambient conditions

Altitude	≤ 2000 m (amsl (above mean sea level))
Permissible humidity (operation)	5 % ... 95 %
Shock (operation)	25g (Half-sine / 11 ms / 3x ±X, ±Y, ±Z)
Vibration (operation)	5g (10 ... 500 Hz / 2.5 h / X, Y, Z)

### General

IEC test classification	II
	T2
EN type	T2
IEC power supply system	TN
Mode of protection	L-L
	L-PEN
Mounting type	on base element
Color	jet black RAL 9005
Housing material	PA 6.6
	PBT
Degree of pollution	2
Flammability rating according to UL 94	V-0
Type	Male
Number of positions	1
Surge protection fault message	optical

### Protective circuit

Nominal voltage $U_N$	400/690 V AC (TN)
Nominal frequency $f_N$	50 Hz (60 Hz)
Maximum continuous voltage $U_C$	580 V AC
Residual current $I_{PE}$	≤ 500 µA
Standby power consumption $P_C$	≤ 150 mVA
Nominal discharge current $I_n$ (8/20) µs	15 kA
Maximum discharge current $I_{max}$ (8/20) µs	30 kA
Short-circuit current rating $I_{SCCR}$	25 kA
Voltage protection level $U_p$	≤ 2.5 kV
Residual voltage $U_{res}$	≤ 2.5 kV (at $I_n$ )
	≤ 2.3 kV (at 10 kA)
	≤ 2.1 kV (at 5 kA)
	≤ 1.9 kV (at 3 kA)
TOV behavior at $U_T$	690 V AC (5 s / withstand mode)
	762 V AC (120 min / withstand mode)
Max. backup fuse with branch wiring	100 A (gG)

### Connection data

Connection method	VALVETRAB plug-in system
-------------------	--------------------------

## Type 1 surge protection plug - VAL-US-480D/30-P - 2910340

### Technical data

#### UL specifications

SPD Type	1CA
Maximum continuous operating voltage MCOV	580 V AC
Nom. voltage	480 V AC (Delta)
Mode of protection	L-L
	L-G
Power distribution system	Single phase
Nominal frequency	50/60 Hz
Voltage protection rating VPR	2000 V
Nominal discharge current $I_n$	20 kA
Maximum Surge Current per Phase	30 kA
Short-circuit current rating (SCCR)	200 kA

#### Standards and Regulations

Standards/regulations	IEC 61643-11 2011
	EN 61643-11 2012

### Drawings

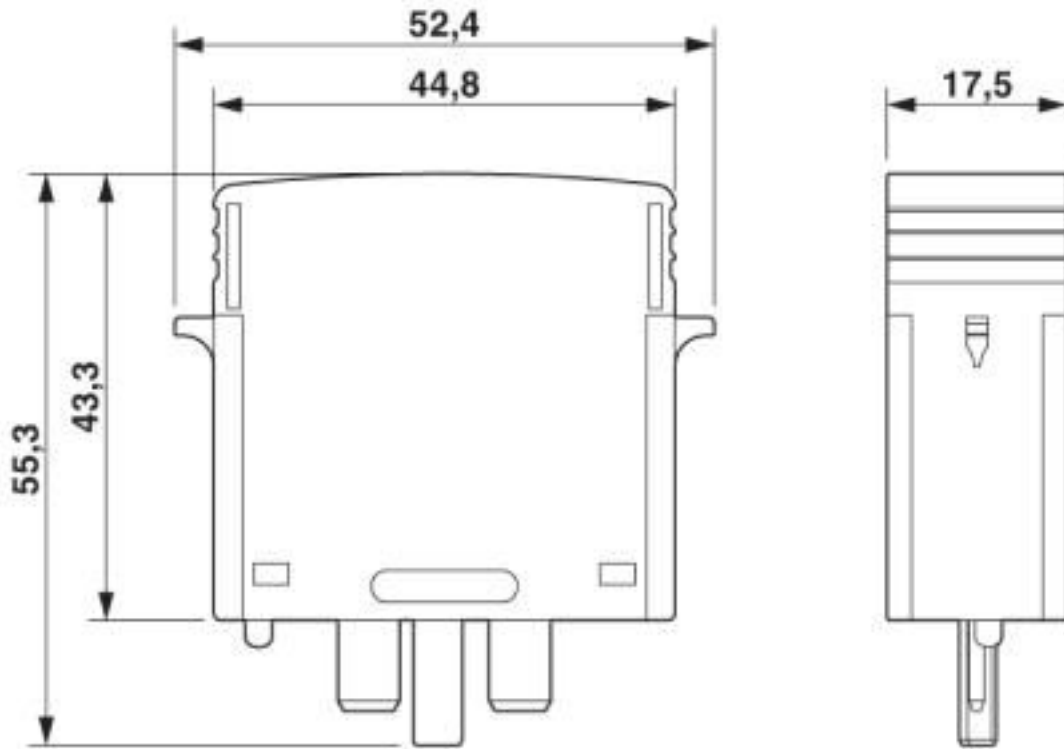
# Type 1 surge protection plug - VAL-US-480D/30-P - 2910340

Circuit diagram



# Type 1 surge protection plug - VAL-US-480D/30-P - 2910340

Dimensional drawing



## Classifications

### eCl@ss

eCl@ss 10.0.1	27130890
eCl@ss 6.0	27130800
eCl@ss 7.0	27130890
eCl@ss 8.0	27130890
eCl@ss 9.0	27130890

### ETIM

ETIM 5.0	EC002496
ETIM 6.0	EC002497
ETIM 7.0	EC002497

## Approvals

### Approvals

### Approvals

UL Recognized / cUL Recognized / cULus Recognized

# Type 1 surge protection plug - VAL-US-480D/30-P - 2910340

## Approvals

Ex Approvals

---

### Approval details

UL Recognized		<a href="http://database.ul.com/cgi-bin/XYV/template/LISEXT/1FRAME/index.htm">http://database.ul.com/cgi-bin/XYV/template/LISEXT/1FRAME/index.htm</a>	FILE E 330181
---------------	--	---	---------------

cUL Recognized		<a href="http://database.ul.com/cgi-bin/XYV/template/LISEXT/1FRAME/index.htm">http://database.ul.com/cgi-bin/XYV/template/LISEXT/1FRAME/index.htm</a>	FILE E 330181
----------------	--	---	---------------

cULus Recognized			
------------------	--	--	--

## Accessories

### Accessories

#### Surge arrester

Type 1 surge protection device - VAL-US-480D/30/1+0-FM - 2910384



Surge protective device, single channel with remote indicator contact for 480 V AC DELTA.

---

Type 1 surge protection device - VAL-US-480D/30/2+0-FM - 2910385



Surge protective device, two channel with remote indicator contact for 480 V AC corner-grounded DELTA.

---

Type 1 surge protection device - VAL-US-480D/30/3+0-FM - 2910386



Surge protective device, three channel with remote indicator contact for 480 V AC DELTA.

## Type 1 surge protection plug - VAL-US-480D/30-P - 2910340

### Accessories

Type 1 surge protection device - VAL-US-480HLD/30/3+1V-FM - 2910387



Surge protective device, four channel with remote indicator contact for 480 V AC high-leg DELTA.

---

Phoenix Contact 2020 © - all rights reserved  
<http://www.phoenixcontact.com>

PHOENIX CONTACT GmbH & Co. KG  
Flachsmarktstr. 8  
32825 Blomberg  
Germany  
Tel. +49 5235 300  
Fax +49 5235 3 41200  
<http://www.phoenixcontact.com>

## X-ON Electronics

Largest Supplier of Electrical and Electronic Components

*Click to view similar products for [Surge Suppressors](#) category:*

*Click to view products by [Phoenix Contact](#) manufacturer:*

Other Similar products are found below :

[GUS1](#) [GUS12](#) [BSPM1A600D600LVR](#) [2800521](#) [29-2053](#) [GUS11](#) [GUS2](#) [GUS3](#) [GUS4](#) [30460](#) [SRA64C060X](#) [PC642C015](#) [1810-15-A3](#)  
[2713175](#) [4B06B-EC1-150LF](#) [SRA6LC](#) [BPMA75D100LV](#) [CX06M](#) [CCTV1](#) [GUS13](#) [GUS14](#) [GUS5](#) [GUS6](#) [VAL-MS 320/3+0-FM](#) [VAL-US-](#)  
[120/40/1+1-FM](#) [VAL-US-120/65/1+1-FM](#) [VAL-US-480D/30/3+0-FM](#) [VAL-US-120/40/1+0-FM](#) [STCHSP121BT1RU](#) [LP-BFDN-CW](#) [LP-](#)  
[STRL-NFF](#) [LP-STRL-DFE](#) [GUS22](#) [0804111](#) [5053609](#) [5053201](#) [SPD2-150-1P0](#) [SPD2-550-1P0](#) [6720005416](#) [6720005417](#) [1-2191595-2](#)  
[STC-CAT6-P0E-I](#) [SPD2-350-1P0](#) [FLT-CP-350-ST](#) [TTC-6P-3-HF-F-M-12DC-UT-I](#) [SMTPA200](#) [2800989](#) [2906776](#) [2906810](#) [2906847](#)