

Type 1 surge protection plug - GDT-US-NG/40-P - 2910342

Please be informed that the data shown in this PDF Document is generated from our Online Catalog. Please find the complete data in the user's documentation. Our General Terms of Use for Downloads are valid (<http://phoenixcontact.com/download>)



UL Recognized type 1 SPD and IEC type 2 surge protection plug with a gas discharge tube and thermal disconnect for use with VAL-US base elements, mechanical and visual fault warning

Product Description


Surge protective device replacement plug

Your advantages

- Plugs can be checked with CHECKMASTER
- Thermal disconnect device for each individual plug
- Pluggable
- Mechanical coding of all slots
- Consists of base element and plug
- Optical, mechanical status indication for the individual arresters



Key Commercial Data

Packing unit	1 pc
GTIN	 4 055626 444840
GTIN	4055626444840

Technical data

Dimensions

Height	52.4 mm
Width	17.5 mm
Depth	55.3 mm
Horizontal pitch	1 Div.

Ambient conditions

Degree of protection	IP20
Ambient temperature (operation)	-40 °C ... 80 °C
Ambient temperature (storage/transport)	-40 °C ... 80 °C

Type 1 surge protection plug - GDT-US-NG/40-P - 2910342

Technical data

Ambient conditions

Altitude	≤ 2000 m (amsl (above mean sea level))
Permissible humidity (operation)	5 % ... 95 %
Shock (operation)	25g (Half-sine / 11 ms / 3x ±X, ±Y, ±Z)
Vibration (operation)	5g (10 ... 500 Hz / 2.5 h / X, Y, Z)

General

IEC test classification	II
	T2
EN type	T2
Mode of protection	N-PE
Mounting type	on base element
Color	jet black RAL 9005
Housing material	PA 6.6
	PBT
Degree of pollution	2
Flammability rating according to UL 94	V-0
Type	Male
Number of positions	1
Surge protection fault message	optical

Protective circuit

Nominal voltage U_N	277/480 V AC (TN-S)
	277/480 V AC (TT)
Nominal frequency f_N	50 Hz (60 Hz)
Maximum continuous voltage U_C	305 V AC
Residual current I_{PE}	≤ 5 μA
Standby power consumption P_C	≤ 1.5 mVA
Nominal discharge current I_n (8/20) μs	20 kA
Maximum discharge current I_{max} (8/20) μs	40 kA
Follow current interrupt rating I_{fi}	100 A (260 V)
Voltage protection level U_p	≤ 1.5 kV
Residual voltage U_{res}	≤ 0.4 kV (at I_n)
	≤ 0.25 kV (at 10 kA)
	≤ 0.15 kV (at 5 kA)
	≤ 0.1 kV (at 3 kA)
Front of wave sparkover voltage at 6 kV (1.2/50) μs	≤ 1.5 kV
TOV behavior at U_T	1200 V AC (200 ms / withstand mode)
Response time t_A	≤ 100 ns

Connection data

Connection method	VALVETRAB plug-in system
-------------------	--------------------------

Type 1 surge protection plug - GDT-US-NG/40-P - 2910342

Technical data

UL specifications

SPD Type	1CA
Maximum continuous operating voltage MCOV	305 V AC
Nom. voltage	277 V AC
Mode of protection	N-G
Power distribution system	Single phase
Nominal frequency	50/60 Hz
Voltage protection rating VPR	1200 V
Nominal discharge current I_n	20 kA
Maximum Surge Current per Phase	40 kA

Standards and Regulations

Standards/regulations	IEC 61643-11 2011
	EN 61643-11 2012

Drawings

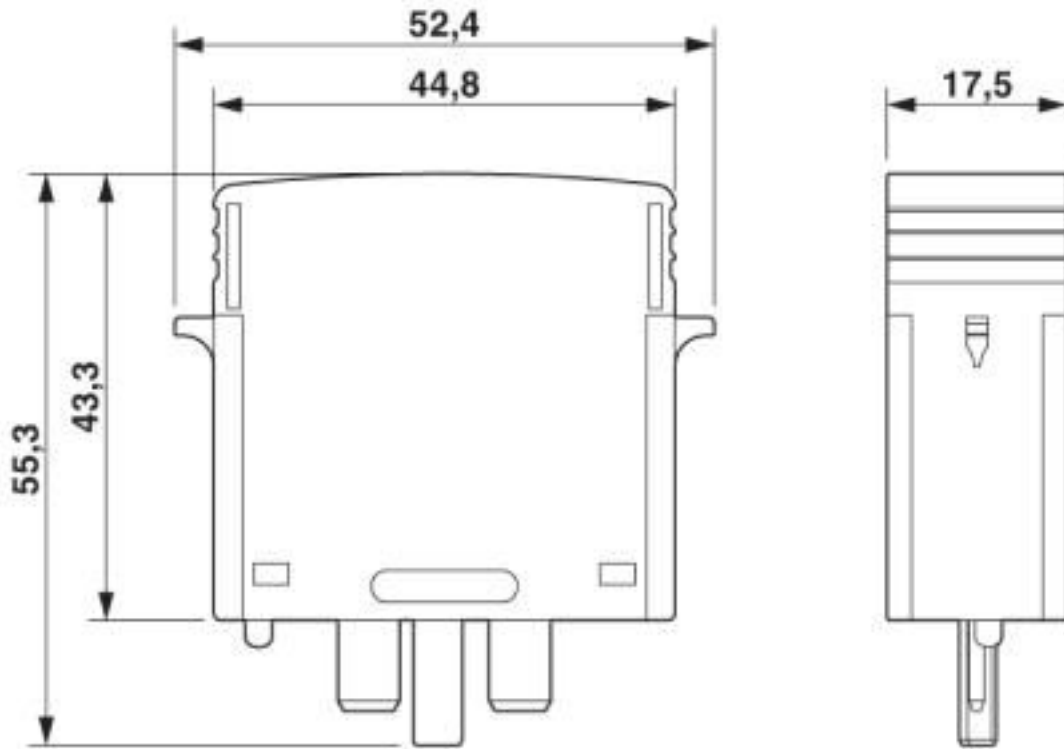
Type 1 surge protection plug - GDT-US-NG/40-P - 2910342

Circuit diagram



Type 1 surge protection plug - GDT-US-NG/40-P - 2910342

Dimensional drawing



Classifications

eCl@ss

eCl@ss 10.0.1	27130890
eCl@ss 6.0	27130800
eCl@ss 7.0	27130890
eCl@ss 8.0	27130890
eCl@ss 9.0	27130890

ETIM

ETIM 5.0	EC002496
ETIM 6.0	EC002497
ETIM 7.0	EC002497

Approvals

Approvals

Approvals

UL Recognized / cUL Recognized / cULus Recognized

Type 1 surge protection plug - GDT-US-NG/40-P - 2910342

Approvals

Ex Approvals

Approval details

UL Recognized		http://database.ul.com/cgi-bin/XYV/template/LISEXT/1FRAME/index.htm	FILE E 330181
---------------	--	---	---------------

cUL Recognized		http://database.ul.com/cgi-bin/XYV/template/LISEXT/1FRAME/index.htm	FILE E 330181
----------------	--	---	---------------

cULus Recognized			
------------------	--	--	--

Accessories

Accessories

Surge arrester

Type 1 surge protection device - VAL-US-120/40/1+1-FM - 2910349



Surge protective device, two channel with remote indicator contact for 120 V AC, 2-wire plus ground.

Type 1 surge protection device - VAL-US-120/40/2+1-FM - 2910352



Surge protective device, three channel with remote indicator contact for 120/240 V split phase AC, 3-wire plus ground.

Type 1 surge protection device - VAL-US-120/40/3+1-FM - 2910354



Surge protective device, four channel with remote indicator contact for 120/208 V Wye three phase AC, 4-wire plus ground.

Type 1 surge protection plug - GDT-US-NG/40-P - 2910342

Accessories

Type 1 surge protection device - VAL-US-240/40/1+1-FM - 2910362



Surge protective device, two channel with remote indicator contact for 240 V AC, 2-wire plus ground.

Type 1 surge protection device - VAL-US-240/40/2+1-FM - 2910365



Surge protective device, three channel with remote indicator contact for 240/480 V split phase AC, 3-wire plus ground.

Type 1 surge protection device - VAL-US-240/40/3+1-FM - 2910367



Surge protective device, four channel with remote indicator contact for 240/415 V AC, 4-wire plus ground.

Type 1 surge protection device - VAL-US-240HLD/40/3+1-FM - 2910371



Surge protective device, four channel with remote indicator contact for 240 V AC high-leg DELTA.

Type 1 surge protection device - VAL-US-277/40/1+1-FM - 2910373



Surge protective device, two channel with remote indicator contact for 277 V AC, 2-wire plus ground.

Type 1 surge protection plug - GDT-US-NG/40-P - 2910342

Accessories

Type 1 surge protection device - VAL-US-277/40/3+1-FM - 2910374



Surge protective device, four channel with remote indicator contact for 277/480 V AC, 4-wire plus ground.

Phoenix Contact 2020 © - all rights reserved
<http://www.phoenixcontact.com>

PHOENIX CONTACT GmbH & Co. KG
Flachsmarktstr. 8
32825 Blomberg
Germany
Tel. +49 5235 300
Fax +49 5235 3 41200
<http://www.phoenixcontact.com>

X-ON Electronics

Largest Supplier of Electrical and Electronic Components

Click to view similar products for [Surge Suppressors](#) category:

Click to view products by [Phoenix Contact](#) manufacturer:

Other Similar products are found below :

[GUS1](#) [GUS12](#) [BSPM1A600D600LVR](#) [2800521](#) [29-2053](#) [GUS11](#) [GUS2](#) [GUS3](#) [30460](#) [SRA64C060X](#) [PC642C015](#) [1810-15-A3](#) [2713175](#)
[4B06B-EC1-150LF](#) [SRA6LC](#) [BPMA75D100LV](#) [CX06M](#) [CCTV1](#) [GUS13](#) [GUS14](#) [GUS5](#) [GUS6](#) [VAL-MS 320/3+0-FM](#) [VAL-US-](#)
[120/40/1+1-FM](#) [VAL-US-120/65/1+1-FM](#) [VAL-US-480D/30/3+0-FM](#) [VAL-US-120/40/1+0-FM](#) [LP-BFDN-CW](#) [LP-STRL-NFF](#) [LP-STRL-](#)
[DFF](#) [GUS22](#) [0804111](#) [5053609](#) [5053201](#) [SPD2-150-1P0](#) [SPD2-550-1P0](#) [6720005416](#) [6720005417](#) [1-2191595-2](#) [STC-CAT6-P0E-I](#) [SPD2-](#)
[350-1P0](#) [FLT-CP-350-ST](#) [TTC-6P-3-HF-F-M-12DC-UT-I](#) [SMTPA200](#) [2800989](#) [2906776](#) [2906810](#) [2906847](#) [2906848](#) [2906851](#)