

### 15° 5 Watts 2 phases Part number 82910501



- 24 steps/revolution (15°)
- Absorbed power : 5 W
- 2 or 4 phase versions available

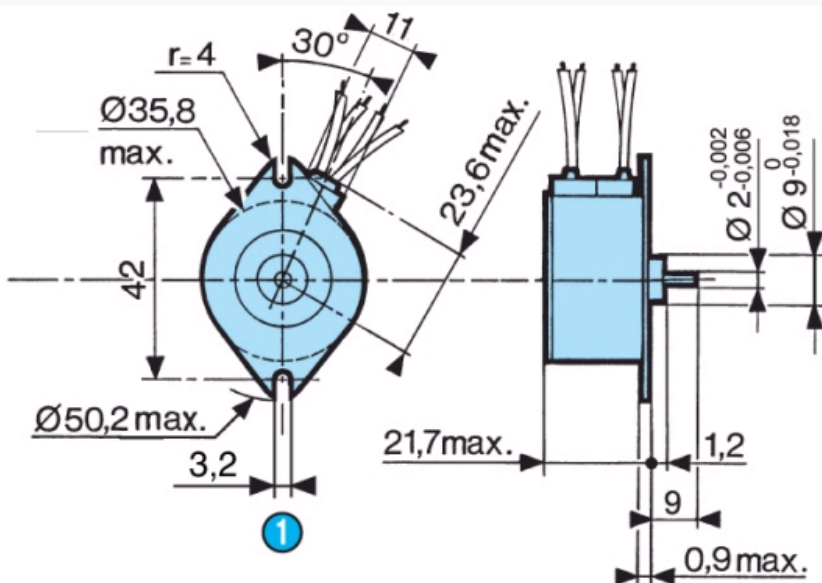
#### Part numbers

	Type	Type	Number of phases
82910501	2 phases	82 910 5	2

#### Specifications

Electronic controller used	Bipolar
Resistance per phase ( $\Omega$ )	12,9
Inductance per phase (mH)	17,3
Current per phase (A)	0,44
Holding torque (mNm)	20
Voltage at motor terminals (V)	5,6
Absorbed power (W)	5
Step angle ( $^\circ$ )	15
Positioning accuracy (%)	5
Rotor inertia ( $\text{gcm}^2$ )	4,9
Max. detent torque (mNm)	3
Max. coil temperature ( $^\circ\text{C}$ )	120
Storage temperature ( $^\circ\text{C}$ )	-40 $\rightarrow$ +80
Thermal resistance of coil - ambient air ( $^\circ\text{C/W}$ )	14
Insulation resistance (at 500 Vcc) (M $\Omega$ ) following NFC 51200 standard	$> 10^3$
Bearings	Sintered bronze
Insulation voltage (50 Hz, 1 minute) (V) following NFC 51200 standard	$> 600$
Wires length (mm)	250
Weight (g)	90
Protection rating	IP40

#### Dimensions (mm)



N°	Legend
----	--------

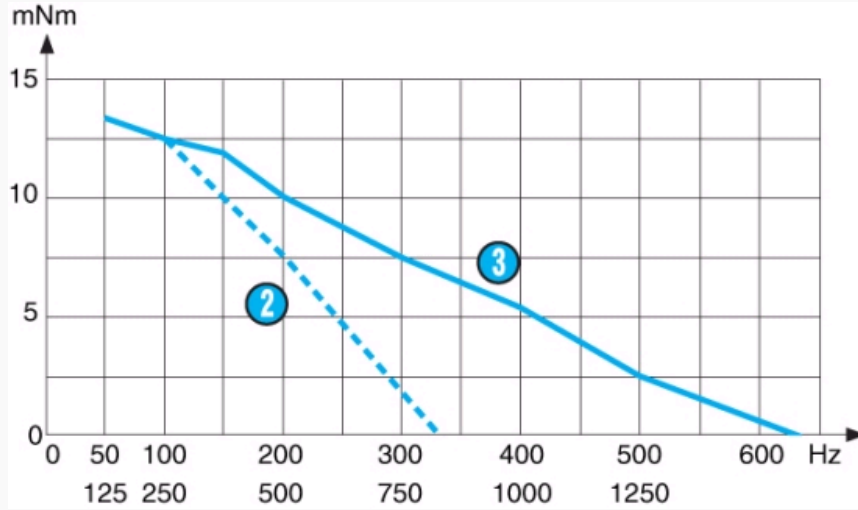
①

2 fixing holes  $\varnothing 3,2^{+0,1}$

**Curves**

**Nominal value dynamic curves**

2 phases - 12,9  $\Omega$



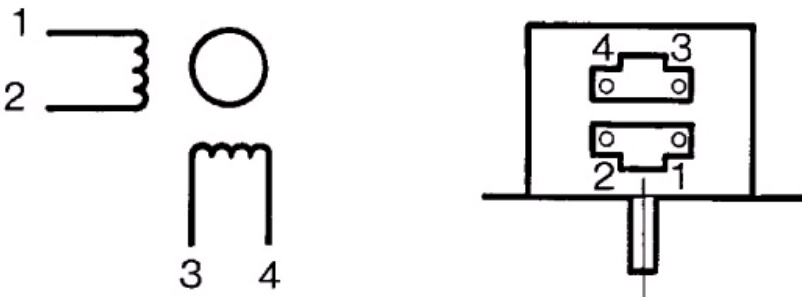
Measurement conditions : L 297298 SGS constant voltage supply board, 5.6 V at motor terminals, 2 phases energised, full steps, inertia of measuring system 4.53 g.cm<sup>2</sup>

N°	Legend
①	RPM
②	Stopping-starting
③	Max. operating curves

**Connections**

2 phases

	1	2	3	4
①	-	+	-	+
②	-	+	+	-
③	+	-	+	-
④	+	-	-	+
⑤	-	+	-	+



Energisation sequence for clockwise rotation (viewed from shaft end)

N°	Legend
①	Step

Product adaptations



- Special output shafts
- Special supply voltages
- Special cable lengths
- Special connectors

## X-ON Electronics

Largest Supplier of Electrical and Electronic Components

*Click to view similar products for [Stepper Motors](#) category:*

*Click to view products by [Phoenix Contact](#) manufacturer:*

Other Similar products are found below :

[HT17-275](#) [5014-020](#) [HT23-597](#) [82924041](#) [82924036](#) [82914016](#) [80910502](#) [80910501](#) [80910003](#) [HT23-598](#) [HT08-221](#) [902-0135-000](#)  
[MS11HS3P4067-09RL](#) [MS17HD6P4200-24RL](#) [MS11HS5P4150-13RL](#) [MS08HY1P4050-09RL](#) [MS08HY3P4050-02RL](#) [ML24HCAL3550-01RL](#) [MS17HD6P4100-16RL](#) [ML23HS8P4220-16RL](#) [MS17HD2P4200-20RL](#) [ML23HSAL4500-E](#) [MS14HS5P4100-03RL](#) [MS17HD2P4100-27RL](#) [MS14HS1P4100-09RL](#) [MS11HS1P4100-25RL](#) [ML23HSAP4300-18RL](#) [ML23HS4P4100-02RL](#) [PL23HS8L4550-05RL](#)  
[MS17HD4P4150-22RL](#) [PM42S-048-HHC8](#) [PM20L-020-HHC3](#) [PM42L-048-HHC9](#) [82930002](#) [HT34-504](#) [82910003](#) [103H7126-0440](#)  
[103H8223-5141](#) [103H8223-6340](#) [103H7126-0740](#) [103H7126-5840](#) [103H8221-6240](#) [103H7126-5740](#) [103H7822-5740](#) [103H8222-6340](#)  
[STEPPER MOTOR BIPOLAR 42X38MM 2.8V 1.7A](#) [SY20STH30-0604A](#) [STEPPER MOTOR: UNIPOLAR/BIPOLAR 57Å—56MM](#) [ROB-10551](#) [STEPPER MOTOR: UNIPOLAR/BIPOLAR 57Å—76MM](#)