

## Control cabinet - RAD-SOL-BOX-24V-BLANK - 2917052

Please be informed that the data shown in this PDF Document is generated from our Online Catalog. Please find the complete data in the user's documentation. Our General Terms of Use for Downloads are valid (<http://phoenixcontact.com/download>)



Aluminum cabinet for use outdoors. Designed for use in solar set RAD-SOL-SET-24-...


The figure shows the article with further components

### Your advantages

- Control cabinet for outdoor use, white powder-coated finish, lockable



### Key Commercial Data

Packing unit	1 pc
GTIN	 4 046356 287357
GTIN	4046356287357

### Technical data

#### Dimensions

Width	500 mm
Height	760 mm
Depth	332 mm

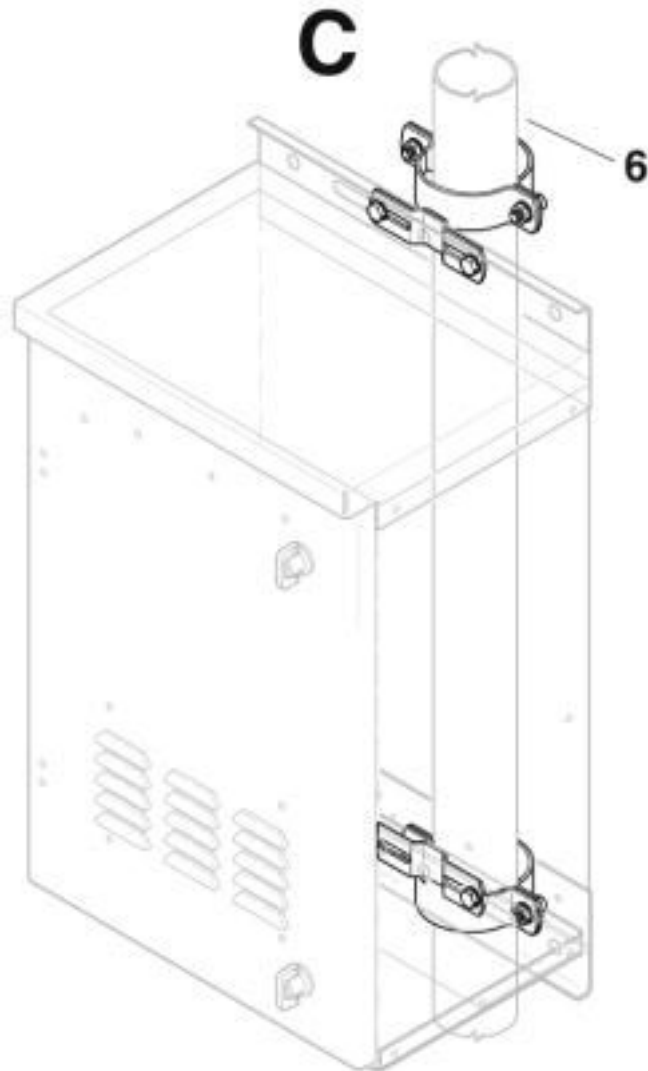
#### Control cabinet / System

Width	500 mm
Height	760 mm
Depth	332 mm
Net weight	17 kg
Housing material	Aluminum

### Drawings

# Control cabinet - RAD-SOL-BOX-24V-BLANK - 2917052

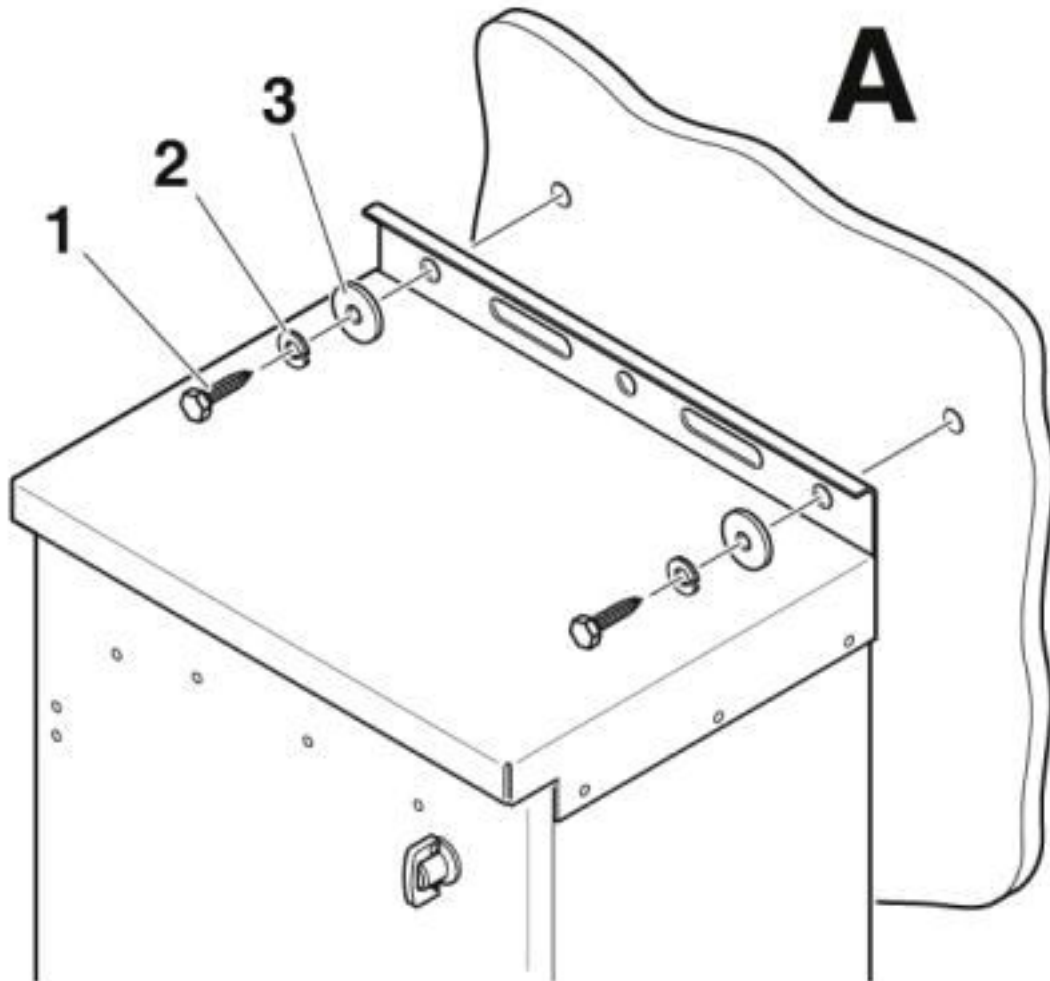
Schematic diagram



Mounting

# Control cabinet - RAD-SOL-BOX-24V-BLANK - 2917052

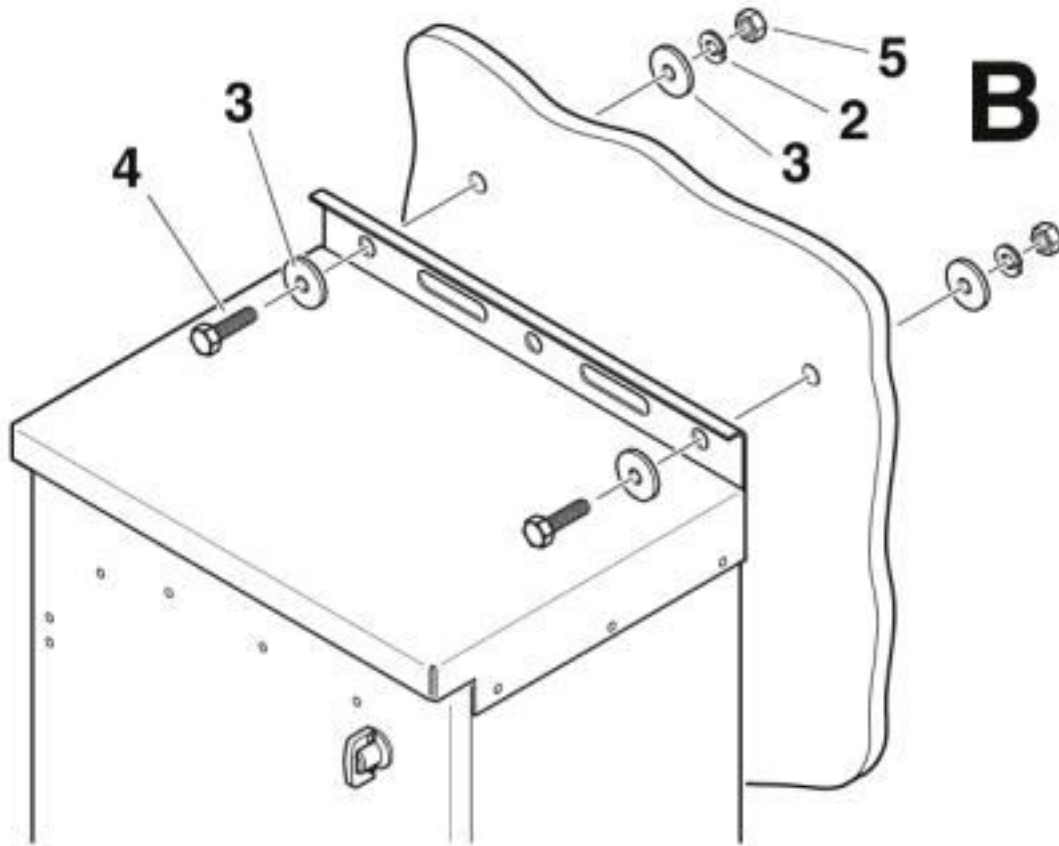
Schematic diagram



Wall mounting

# Control cabinet - RAD-SOL-BOX-24V-BLANK - 2917052

Schematic diagram



Wall mounting

## Classifications

eCl@ss

eCl@ss 4.0	27060805
eCl@ss 4.1	27060805
eCl@ss 5.0	27061805
eCl@ss 5.1	27061800
eCl@ss 6.0	27061800
eCl@ss 7.0	22579290
eCl@ss 8.0	22579290
eCl@ss 9.0	22579290

ETIM

ETIM 2.0	EC000019
ETIM 3.0	EC000019
ETIM 4.0	EC000019
ETIM 5.0	EC000019

# Control cabinet - RAD-SOL-BOX-24V-BLANK - 2917052

## Classifications

### ETIM

ETIM 6.0	EC001314
----------	----------

### UNSPSC

UNSPSC 6.01	26121608
UNSPSC 7.0901	26121608
UNSPSC 11	26121608
UNSPSC 12.01	26121608
UNSPSC 13.2	26121608

## Accessories

### Spare parts

Mast clamp - RAD-SOL-POLE-MNT - 2917065



Mast clip for mounting on masts with a cross section of 76 mm

---

Phoenix Contact 2020 © - all rights reserved  
<http://www.phoenixcontact.com>

PHOENIX CONTACT GmbH & Co. KG  
Flachsmarktstr. 8  
32825 Blomberg  
Germany  
Tel. +49 5235 300  
Fax +49 5235 3 41200  
<http://www.phoenixcontact.com>

## X-ON Electronics

Largest Supplier of Electrical and Electronic Components

*Click to view similar products for [Sub-GHz Modules](#) category:*

*Click to view products by [Phoenix Contact](#) manufacturer:*

Other Similar products are found below :

[HMC-C024](#) [nRF24L01P-MODULE-SMA](#) [CMD-KEY2-418-CRE](#) [V640-A90](#) [SM1231E868](#) [HMC-C582](#) [SM-MN-00-HF-RC](#) [HMC-C031](#)  
[LoRa Node Kit\(US\)](#) [Sierra HL7588 4G KIT\(US\)](#) [WISE-4610-S672NA](#) [EC21AUFA-MINIPCIE](#) [EC21EUGA-MINIPCIE](#) [CS-EASYSWITCH-](#)  
[25](#) [EC21JFB-MINIPCIE](#) [DL-RFM95-915M](#) [DL-RFM96-433M](#) [Ra-07H-V1.1](#) [Ra-07](#) [Ra-01SH](#) [Ra-01S-T](#) [Ra-01SH-T](#) [CMD-HHCP-418-MD](#)  
[CMD-HHCP-433-MD](#) [CMD-HHLR-418-MD](#) [2095000000200](#) [XB9X-DMRS-031](#) [20911051101](#) [COM-13909](#) [HMC-C033](#) [COM-13910](#)  
[WRL-14498](#) [SX1276RF1KAS](#) [HMC-C011](#) [HMC-C014](#) [HMC-C050](#) [HMC-C001](#) [HMC-C006](#) [HMC-C030](#) [HMC-C021](#) [HMC-C041](#) [HMC-](#)  
[C042](#) [HMC-C048](#) [HMC-C051](#) [HMC-C071](#) [HMC-C072](#) [HMC-C088](#) [A2500R24C00GM](#) [702-W](#) [HUM-900-PRC](#)