

Timer relay - ETD-BL-1T-F- 10S - 2917492

Please be informed that the data shown in this PDF Document is generated from our Online Catalog. Please find the complete data in the user's documentation. Our General Terms of Use for Downloads are valid (<http://phoenixcontact.com/download>)



Timer relay with flasher function (beginning with pulse) and an adjustable time range (0.1 s - 10 s), with screw connection

Product Description

Compact timer relay in 6.2 mm housing for controlling time sequences.

The time is set on the front of the device using a labeled thumbwheel, which is recessed to protect against accidental modification. A screwdriver is used to change the settings (blade width 2.5 mm).

The compact timer relays are available with different time ranges as well as with a screw, spring-cage, and push-in connection.

Your advantages

- 6.2 mm narrow design width
- High level of setting accuracy thanks to labeled and illuminated thumb wheel



Key Commercial Data

| | |
|--------------|---------------|
| Packing unit | 1 pc |
| GTIN | |
| GTIN | 4046356367790 |

Technical data

Dimensions

| | |
|--------|--------|
| Width | 6.2 mm |
| Height | 80 mm |
| Depth | 86 mm |

Ambient conditions

| | |
|---|--|
| Ambient temperature (operation) | -20 °C ... 65 °C |
| Ambient temperature (storage/transport) | -25 °C ... 80 °C |
| Permissible humidity (operation) | 15 % ... 85 % |
| Degree of protection | IP20 |
| Noise immunity | EN 61000-6-2 |
| | When being exposed to interference, there may be minimal deviations. |

Timer relay - ETD-BL-1T-F- 10S - 2917492

Technical data

Coil side

| | |
|---------------------|----------------------------------|
| Input voltage range | 24 V DC (19.2 V DC ...30 V DC) |
| Function | F: Flashing beginning with pulse |
| Setting range time | 0.1 s ... 10 s |

Contact side

| | |
|--------------|-------------------|
| Contact type | 1 floating PDT |
| Output fuse | 6.3 A (fast-blow) |

General

| | |
|----------------------------------|--|
| Status display | Green LED (POWER) Yellow LED (relay active) |
| Mechanical service life | approx. 2×10^7 cycles |
| Mounting position | any |
| Assembly instructions | on standard DIN rail NS 35 in accordance with EN 60715 |
| Color | gray |
| Housing insulation material | Polyamide PA, self-extinguishing |
| Permissible humidity (operation) | 15 % ... 85 % |

Connection data

| | |
|----------------------------------|--|
| Connection method | Screw connection |
| Stripping length | 8 mm |
| Conductor cross section solid | 0.14 mm ² ... 2.5 mm ² |
| Conductor cross section flexible | 0.14 mm ² ... 2.5 mm ² |
| Conductor cross section AWG | 30 ... 12 |
| Torque | 0.6 Nm ... 0.8 Nm 5 lb _f -in. ... 7 lb _f -in. |

Control contact

| | |
|----------------------|------------|
| Control pulse length | min. 50 ms |
|----------------------|------------|

Standards and Regulations

| | |
|-------------------------------|--|
| Electromagnetic compatibility | Conformance with EMC Directive 2004/108/EC |
| Noise emission | EN 61000-6-4 |
| Noise immunity | EN 61000-6-2 |
| Standards/regulations | EN 50178 |
| Rated insulation voltage | 300 V AC |
| Rated surge voltage | 6 kV |
| Insulation | Basic insulation |
| Pollution degree | 2 |
| Overvoltage category | III |
| Low Voltage Directive | Conformance with LV directive 2006/95/EC |

Environmental Product Compliance

| | |
|------------|----------------|
| REACH SVHC | Lead 7439-92-1 |
|------------|----------------|

Timer relay - ETD-BL-1T-F- 10S - 2917492

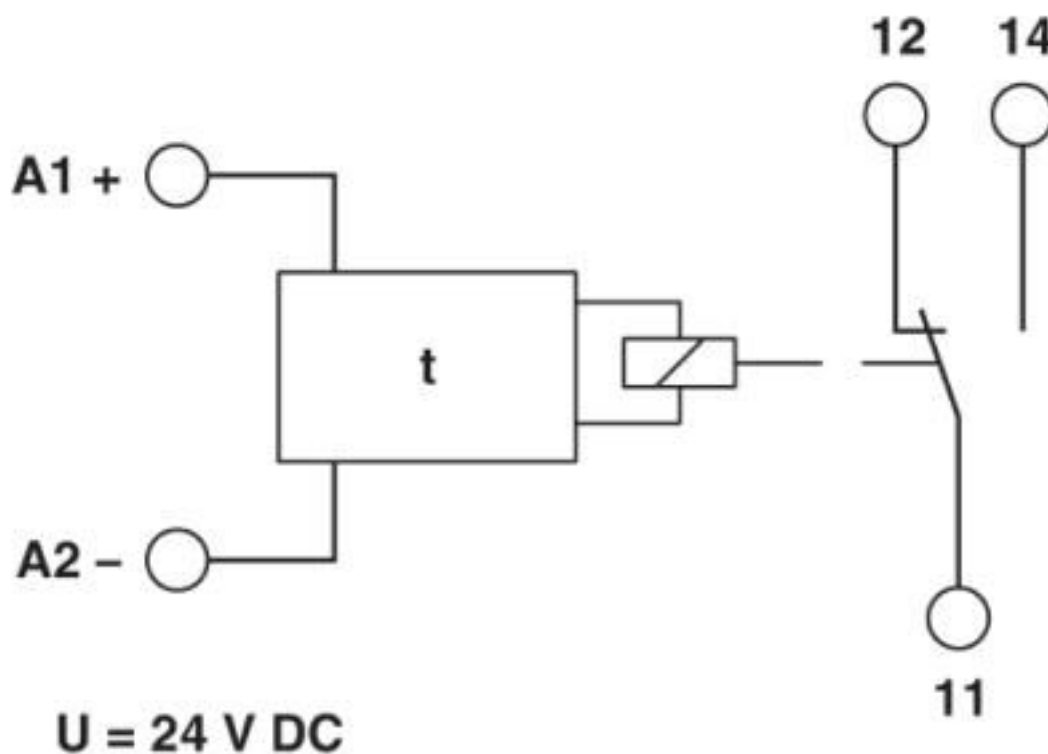
Technical data

Environmental Product Compliance

| | |
|------------|---|
| China RoHS | Environmentally Friendly Use Period = 50 years |
| | For details about hazardous substances go to tab "Downloads", Category "Manufacturer's declaration" |

Drawings

Block diagram



Classifications

eCl@ss

| | |
|---------------|----------|
| eCl@ss 10.0.1 | 27371605 |
| eCl@ss 4.0 | 27371100 |
| eCl@ss 4.1 | 27371100 |
| eCl@ss 5.0 | 27371700 |
| eCl@ss 5.1 | 27371700 |
| eCl@ss 6.0 | 27371700 |
| eCl@ss 7.0 | 27371790 |
| eCl@ss 8.0 | 27371605 |
| eCl@ss 9.0 | 27371605 |

Timer relay - ETD-BL-1T-F- 10S - 2917492

Classifications

ETIM

| | |
|----------|----------|
| ETIM 2.0 | EC001439 |
| ETIM 3.0 | EC001439 |
| ETIM 4.0 | EC001439 |
| ETIM 5.0 | EC001439 |
| ETIM 6.0 | EC001439 |
| ETIM 7.0 | EC001439 |

UNSPSC

| | |
|---------------|----------|
| UNSPSC 6.01 | 30211920 |
| UNSPSC 7.0901 | 39121519 |
| UNSPSC 11 | 39121519 |
| UNSPSC 12.01 | 39121519 |
| UNSPSC 13.2 | 39122329 |
| UNSPSC 18.0 | 39122329 |
| UNSPSC 19.0 | 39122329 |
| UNSPSC 20.0 | 39122329 |
| UNSPSC 21.0 | 39122329 |

Approvals

Approvals

Approvals

GL / GL-SW / UL Listed / cUL Listed / EAC / GL / cULus Listed

Ex Approvals

ATEX

Approval details


| | | | |
|----|---|---|-------------|
| GL |  | https://approvalfinder.dnvgl.com/ | 75808-09 HH |
|----|---|---|-------------|

| | | | |
|-------|--|--|-------------|
| GL-SW | | | 75808-09 HH |
|-------|--|--|-------------|


| | | | |
|-----------|---|---|---------------|
| UL Listed |  | http://database.ul.com/cgi-bin/XYV/template/LISEXT/1FRAME/index.htm | FILE E 172140 |
|-----------|---|---|---------------|


Timer relay - ETD-BL-1T-F- 10S - 2917492

Approvals

| | | | |
|------------|---|---|---------------|
| cUL Listed |  | http://database.ul.com/cgi-bin/XYV/template/LISEXT/1FRAME/index.htm | FILE E 172140 |
|------------|---|---|---------------|

| | | |
|-----|---|--------------------------|
| EAC |  | RU C- DE.**08.B-00957 |
|-----|---|--------------------------|

| | |
|----|---|
| GL |  |
|----|---|

| | |
|--------------|---|
| cULus Listed |  |
|--------------|---|

Phoenix Contact 2020 © - all rights reserved
<http://www.phoenixcontact.com>

PHOENIX CONTACT GmbH & Co. KG
Flachsmarktstr. 8
32825 Blomberg
Germany
Tel. +49 5235 300
Fax +49 5235 3 41200
<http://www.phoenixcontact.com>

X-ON Electronics

Largest Supplier of Electrical and Electronic Components

Click to view similar products for [Time Delay & Timing Relays](#) category:

Click to view products by [Phoenix Contact](#) manufacturer:

Other Similar products are found below :

[5NO30](#) [614-11B-0A2](#) [614-11B-0A3](#) [614-11B-0A4](#) [614-11B-0A6](#) [614-11B-0A8](#) [614-11C-0A1](#) [614-11C-0A2](#) [614-11C-0A5](#) [614-11Q-0A3](#) [614-11Q-0A6](#) [614-11T-0A3](#) [614-11T-0A6](#) [614-11T-0A7](#) [614-12B-4A1](#) [614-12C-400](#) [614-12Q-400](#) [614-12T-600](#) [614-22T-4A1](#) [614-43B-400](#) [614-43C-100](#) [614-43F-200](#) [614-43Q-0A2](#) [614-43Q-100](#) [614-43Q-600](#) [614-43T-0A9](#) [614-43T-600](#) [614-43U-400](#) [614-43U-4A1](#) [614-43U-6A2](#) [615-21T-200](#) [655-11T-100](#) [655-11U-500](#) [655-12T-300](#) [655-22T-400](#) [655-22T-600](#) [CUA-41-30001](#) [CUA-41-30030](#) [CUA-41-70180](#) [CUA-41-71038](#) [CUA-42-30005](#) [CUA-42-30010](#) [CUA-42-30120](#) [CUA-42-70120](#) [CUA-99-72502](#) [CUC-41-30030](#) [CUF-42-30010](#) [CUH-41-31006](#) [7012AFX](#) [7012GD](#)