

Surge protection device - DT-UFB-485/BS - 2920612

Please be informed that the data shown in this PDF Document is generated from our Online Catalog. Please find the complete data in the user's documentation. Our General Terms of Use for Downloads are valid (<http://phoenixcontact.com/download>)




9-pos. D-SUB attachment plug with surge protection for RS-485 interfaces. Can alternatively be snapped onto DIN rails.

Your advantages

- Adapter type
- 9-pos. D-SUB connection
- DIN rail mounting possible by removing the cap



Key Commercial Data

Packing unit	1 pc
GTIN	 4 046356 155120
GTIN	4046356155120

Technical data

Dimensions

Height	108 mm
Width	25 mm
Depth	63 mm

Ambient conditions

Ambient temperature (operation)	-40 °C ... 85 °C
Degree of protection	IP20

General

Housing material	Zinc die-cast
Color	silver/black
Standards for clearances and creepage distances	IEC 60664-1
	VDE 0110-1
Mounting type	Connection-specific attachment plug and DIN rail, 35 mm

Surge protection device - DT-UFB-485/BS - 2920612

Technical data

General

Type	Attachment plug for DIN rail mounting
Number of positions	5
Direction of action	Line-Line & Line-Ground/Shield

Protective circuit

IEC test classification	B2
	C1
	C2
	C3
	D1
VDE requirement class	B2
	C1
	C2
	C3
	D1
Maximum continuous voltage U_C	12 V DC
Rated current	≤ 380 mA (25 °C)
Operating effective current I_C at U_C	≤ 1 μ A
Residual current I_{PE}	≤ 5 μ A
Nominal discharge current I_n (8/20) μ s (line-line)	≤ 5 kA
Nominal discharge current I_n (8/20) μ s (line-earth)	≤ 5 kA
Total discharge current I_{total} (8/20) μ s	10 kA
Output voltage limitation at 1 kV/ μ s (line-earth) spike	≤ 700 V
Output voltage limitation at 1 kV/ μ s (line-line) static	≤ 25 V
Output voltage limitation at 1 kV/ μ s (line-earth) static	≤ 700 V
Output voltage limitation at 1 kV/ μ s (line-signalground) static	≤ 25 V
Residual voltage at I_n (line-line)	≤ 25 V
Residual voltage at I_n (line-earth)	≤ 55 V
Residual voltage at I_n (line-signalground)	≤ 25 V
Voltage protection level U_p (line-line)	≤ 30 V (B2 - 100 A)
	≤ 30 V (C1 - 500 A)
	≤ 40 V (C2 - 5 kA)
Voltage protection level U_p (line-earth)	≤ 700 V (B2 - 100 A)
	≤ 700 V (C1 - 500 A)
	≤ 750 V (C2 - 5 kA)
Response time t_A (line-line)	≤ 100 ns
Response time t_A (line-earth)	≤ 100 ns
Input attenuation aE, sym.	typ. 0.3 dB (≤ 30 MHz)
	typ. 0.3 dB (≤ 7 MHz / 150 Ω)
	typ. 0.3 dB (≤ 2 MHz / 600 Ω)

Surge protection device - DT-UFB-485/BS - 2920612

Technical data

Protective circuit

Cut-off frequency f_g (3 dB), sym. in 100 Ohm system	typ. 50 MHz
Resistance per path	3.3 Ω 10 %
Surge protection fault message	none
Impulse durability (line-line)	C1 - 1 kV / 500 A C2 - 10 kV / 5 kA B2 - 4 kV / 100 A
Impulse durability (line-earth)	B2 - 4 kV / 100 A C1 - 1 kV / 500 A C2 - 10 kV / 5 kA D1 - 1 kA

Connection data

Connection method	D-SUB-9
Connection method IN	D-SUB-9 socket
Connection method OUT	D-SUB-9 connector

Connection, equipotential bonding

Connection method	Cable connection
-------------------	------------------

Standards and Regulations

Standards/regulations	IEC 61643-21 DIN EN 61643-21
Standards/specifications	DIN EN 61643-21 2002

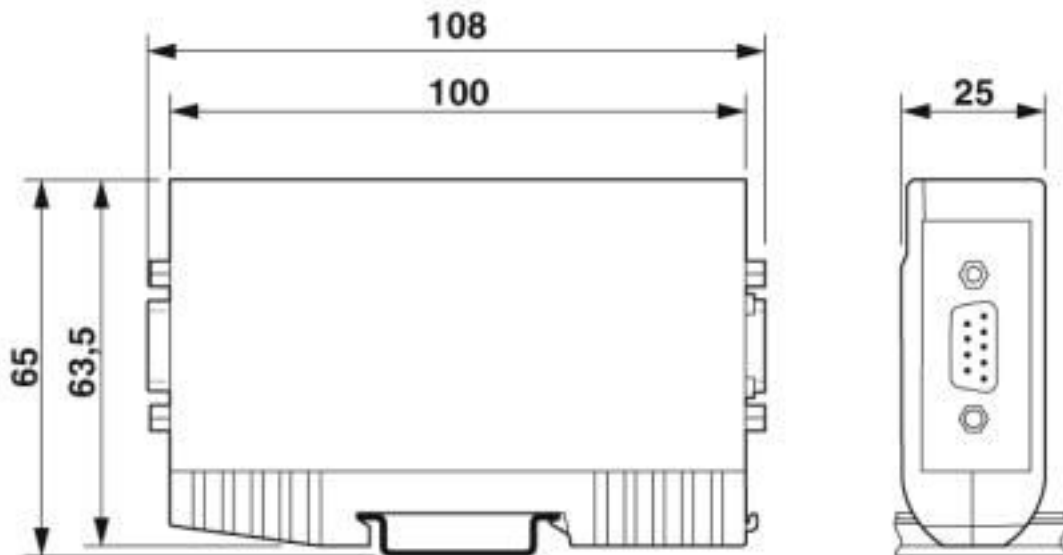
Environmental Product Compliance

REACH SVHC	Lead 7439-92-1
------------	----------------

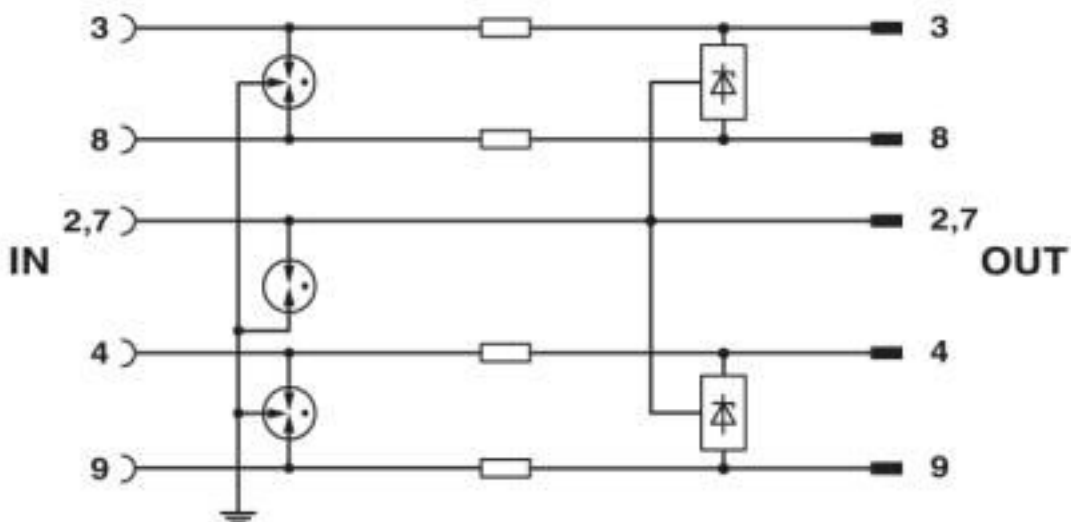
Drawings

Surge protection device - DT-UFB-485/BS - 2920612

Dimensional drawing



Circuit diagram



Classifications

eCl@ss

eCl@ss 10.0.1	27130807
eCl@ss 4.0	27130800
eCl@ss 4.1	27130800
eCl@ss 5.0	27130800
eCl@ss 5.1	27130800
eCl@ss 6.0	27130800
eCl@ss 7.0	27130807

Surge protection device - DT-UFB-485/BS - 2920612

Classifications

eCl@ss

eCl@ss 8.0	27130807
eCl@ss 9.0	27130807

ETIM

ETIM 2.0	EC000943
ETIM 3.0	EC000943
ETIM 4.0	EC000943
ETIM 5.0	EC000943
ETIM 6.0	EC000943
ETIM 7.0	EC000943

UNSPSC

UNSPSC 6.01	30212010
UNSPSC 7.0901	39121610
UNSPSC 11	39121610
UNSPSC 12.01	39121610
UNSPSC 13.2	39121620
UNSPSC 18.0	39121620
UNSPSC 19.0	39121620
UNSPSC 20.0	39121620
UNSPSC 21.0	39121620

Approvals

Approvals

Approvals

EAC / EAC

Ex Approvals

Approval details

EAC		EAC-Zulassung
-----	--	---------------

EAC		RU C- DE.*09.B.00169
-----	--	-------------------------

Surge protection device - DT-UFB-485/BS - 2920612

Accessories

Accessories

Data plug

D-SUB cable - VS-09-DSUB-20-LI-1,0 - 1656233



Assembled D-SUB cable, shielded, 9-pos., stranded (7-wire), cable color: RAL 7000 (gray), secured using 4-40 UNC thread, IP20 protection, head 1 with socket shell 1 and straight cable outlet, head 2 with pin shell 1 and straight cable outlet, length: 1 m

Phoenix Contact 2020 © - all rights reserved
<http://www.phoenixcontact.com>

PHOENIX CONTACT GmbH & Co. KG
Flachsmarktstr. 8
32825 Blomberg
Germany
Tel. +49 5235 300
Fax +49 5235 3 41200
<http://www.phoenixcontact.com>

X-ON Electronics

Largest Supplier of Electrical and Electronic Components

Click to view similar products for [Surge Suppressors](#) category:

Click to view products by [Phoenix Contact](#) manufacturer:

Other Similar products are found below :

[GUS1](#) [GUS12](#) [BSPM1A600D600LVR](#) [2800521](#) [29-2053](#) [GUS11](#) [GUS2](#) [GUS3](#) [GUS4](#) [30460](#) [SRA64C060X](#) [PC642C015](#) [1810-15-A3](#)
[2713175](#) [4B06B-EC1-150LF](#) [SRA6LC](#) [BPMA75D100LV](#) [CX06M](#) [CCTV1](#) [GUS13](#) [GUS14](#) [GUS5](#) [GUS6](#) [VAL-MS 320/3+0-FM](#) [VAL-US-](#)
[120/40/1+1-FM](#) [VAL-US-120/65/1+1-FM](#) [VAL-US-480D/30/3+0-FM](#) [VAL-US-120/40/1+0-FM](#) [STCHSP121BT1RU](#) [LP-BFDN-CW](#) [LP-](#)
[STRL-NFF](#) [LP-STRL-DFE](#) [GUS22](#) [0804111](#) [5053609](#) [5053201](#) [SPD2-150-1P0](#) [SPD2-550-1P0](#) [6720005416](#) [6720005417](#) [1-2191595-2](#)
[STC-CAT6-P0E-I](#) [SPD2-350-1P0](#) [FLT-CP-350-ST](#) [TTC-6P-3-HF-F-M-12DC-UT-I](#) [SMTPA200](#) [2800989](#) [2906776](#) [2906810](#) [2906847](#)