

Surge protection plug - PT 2X1-VF-230AC-ST - 2921365

Please be informed that the data shown in this PDF Document is generated from our Online Catalog. Please find the complete data in the user's documentation. Our General Terms of Use for Downloads are valid (<http://phoenixcontact.com/download>)




Protective connector with protective circuit free of leakage current for two floating signals. Connection in series, consisting of varistor and gas-filled surge arrester between signal wires and ground.

Your advantages

- ✔ Plugs can be checked with CHECKMASTER
- ✔ Maximum ease of maintenance thanks to the two-piece design
- ✔ Base element remains an integral part of the installation
- ✔ Consistent plug-in signal circuit protection
- ✔ Protective devices for use in telecommunications and signaling networks according to IEC 61643-21
- ✔ Impedance-neutral disconnection of plug for test and maintenance purposes



Key Commercial Data

Packing unit	10 pc
GTIN	 4 046356 286572
GTIN	4046356286572

Technical data

Dimensions

Height	44.8 mm
Width	17.5 mm
Depth	51.7 mm
Horizontal pitch	1 Div.
Complete module height	90 mm
Complete module width	17.7 mm
Complete module depth	65.5 mm

Ambient conditions

Ambient temperature (operation)	-40 °C ... 80 °C
Degree of protection	IP20

Surge protection plug - PT 2X1-VF-230AC-ST - 2921365

Technical data

General

Housing material	PA 6.6
Flammability rating according to UL 94	V-0
Color	black
Mounting type	on base element
Type	Male
Number of positions	2
Direction of action	Line-Line & Line-Earth Ground

Protective circuit

IEC test classification	C1
	C2
	C3
	D1
Nominal voltage U_N	230 V AC
Maximum continuous voltage U_C	250 V AC
Rated current	6 A
Operating effective current I_C at U_C	$\leq 2 \mu\text{A}$
Residual current I_{PE}	$\leq 2 \mu\text{A}$ (at U_N)
Nominal discharge current I_n (8/20) μs	3 kA
Pulse discharge current I_{imp} (10/350) μs	500 A
Total discharge current I_{total} (8/20) μs	8 kA
Total discharge current I_{total} (10/350) μs	1 kA
Max. discharge current I_{max} (8/20) μs	8 kA
Nominal pulse current I_{an} (10/1000) μs (line-earth)	100 A
Output voltage limitation at 1 kV/ μs (line-earth) static	$\leq 1.4 \text{ kV}$
Residual voltage at I_n (line-line)	$\leq 2 \text{ kV}$
Residual voltage at I_n (line-earth)	$\leq 1 \text{ kV}$
Residual voltage with I_{an} (10/1000) μs (line-line)	$\leq 1.4 \text{ kV}$
Residual voltage with I_{an} (10/1000) μs (line-earth)	$\leq 700 \text{ V}$
Energy absorption	150 J
Voltage protection level U_p (line-line)	$\leq 2.5 \text{ kV}$ (C2 - 4 kV / 2 kA)
	$\leq 1.8 \text{ kV}$ (C3 - 100 A)
	$\leq 2.6 \text{ kV}$ (D1 - 500 A)
Voltage protection level U_p (line-earth)	$\leq 1.1 \text{ kV}$ (C1 - 500 A)
	$\leq 1.5 \text{ kV}$ (C2 - 4 kV / 2 kA)
	$\leq 1.6 \text{ kV}$ (C3 - 100 A)
	$\leq 1.8 \text{ kV}$ (D1 - 500 A)
Response time t_A	$\leq 100 \text{ ns}$
Capacity (line-line)	typ. 1.5 pF
Capacity (line-earth)	typ. 3 pF

Surge protection plug - PT 2X1-VF-230AC-ST - 2921365

Technical data

Protective circuit

Resistance per path	0 Ω
Surge protection fault message	none
Max. required back-up fuse	6 A (gL / gG)
Impulse durability (line-earth)	C2 - 4 kV / 2 kA
	C3 - 100 A
	D1 - 500 A

Connection data

Connection method	Screw connection (in connection with the base element)
-------------------	--

Remote indication contact

Switching function	N/C contact
Maximum operating voltage U_{max} AC	250 V AC
Max. operating current I_{max}	1 A

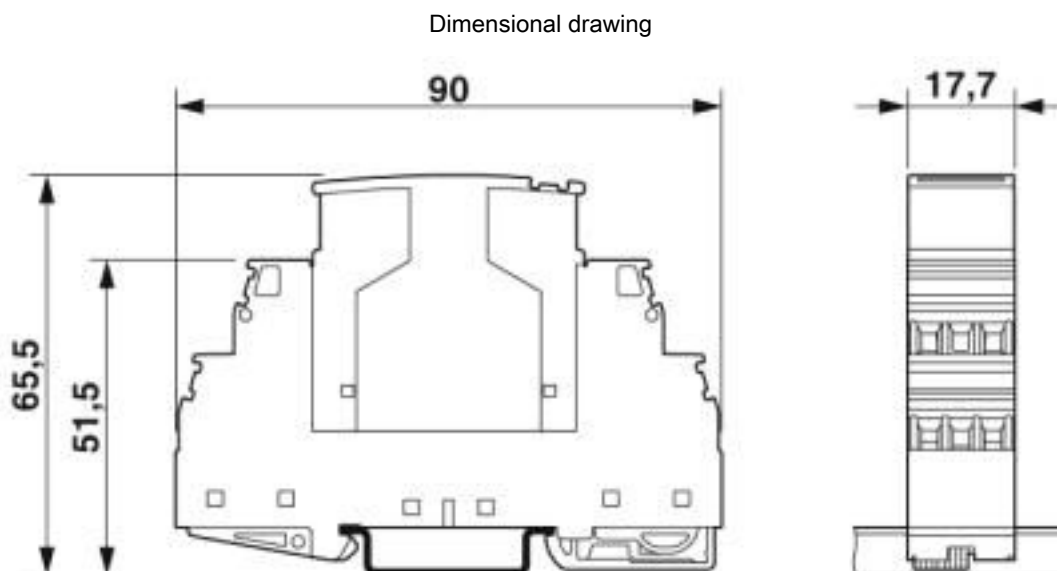
Standards and Regulations

Standards/specifications	EN 61643-21 2002
--------------------------	------------------

Environmental Product Compliance

China RoHS	Environmentally friendly use period: unlimited = EFUP-e
	No hazardous substances above threshold values

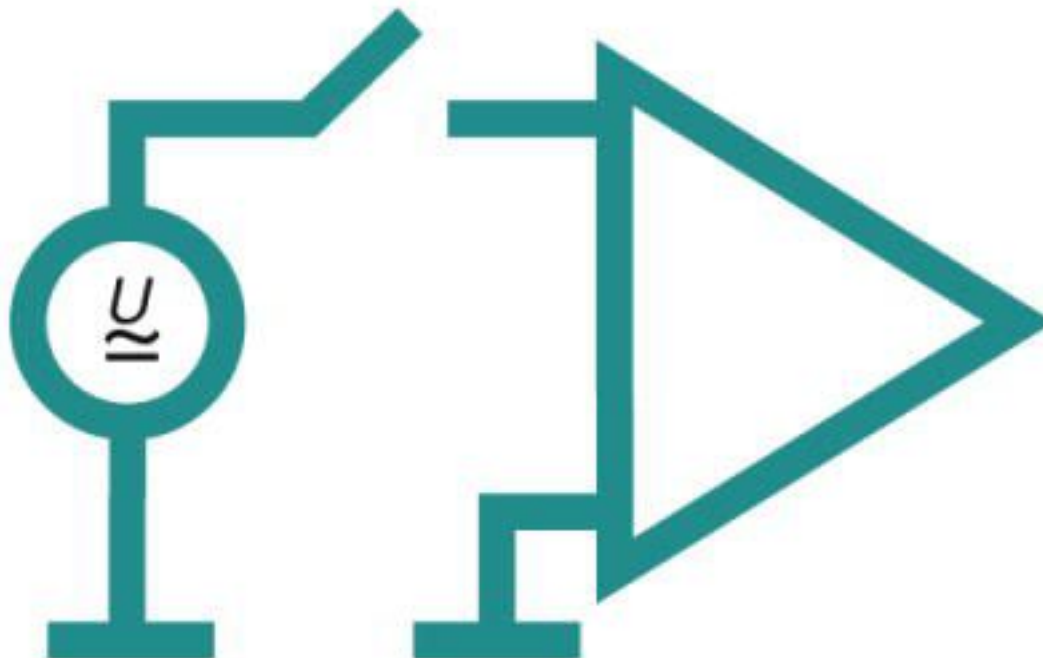
Drawings



The figure shows the complete module consisting of a base element and connector

Surge protection plug - PT 2X1-VF-230AC-ST - 2921365

Pictogram



Classifications

eCl@ss

eCl@ss 10.0.1	27130807
eCl@ss 4.0	27130800
eCl@ss 4.1	27130800
eCl@ss 5.0	27130800
eCl@ss 5.1	27130800
eCl@ss 6.0	27130800
eCl@ss 7.0	27130807
eCl@ss 8.0	27130807
eCl@ss 9.0	27130807

ETIM

ETIM 2.0	EC000943
ETIM 3.0	EC000943
ETIM 4.0	EC000943
ETIM 5.0	EC000943
ETIM 6.0	EC000943
ETIM 7.0	EC000943

UNSPSC

UNSPSC 6.01	30212010
UNSPSC 7.0901	39121610

Surge protection plug - PT 2X1-VF-230AC-ST - 2921365

Classifications

UNSPSC

UNSPSC 11	39121610
UNSPSC 12.01	39121610
UNSPSC 13.2	39121620
UNSPSC 18.0	39121620
UNSPSC 19.0	39121620
UNSPSC 20.0	39121620
UNSPSC 21.0	39121620

Approvals

Approvals

Approvals

EAC

Ex Approvals

Approval details

EAC		RU C- DE.*09.B.00169
-----	--	-------------------------

Accessories

Accessories

Device marking

Zack marker strip - ZBN 18:UNBEDRUCKT - 2809128



Zack marker strip, Strip, white, unlabeled, can be labeled with: CMS-P1-PLOTTER, PLOTMARK, mounting type: snap into tall marker groove, for terminal block width: 18 mm, lettering field size: 18 x 5 mm, Number of individual labels: 5

Labeled terminal marker

Surge protection plug - PT 2X1-VF-230AC-ST - 2921365

Accessories

Zack Marker strip, flat - ZBF 5,LGS:FORTL.ZAHLEN - 0808671



Zack Marker strip, flat, Strip, white, labeled, printed horizontally: consecutive numbers 1 ... 10, 11 ... 20, etc. up to 491 ... 500, mounting type: snap into flat marker groove, for terminal block width: 5 mm, lettering field size: 5.15 x 5.15 mm, Number of individual labels: 10

Zack Marker strip, flat - ZBF 5,LGS:GERADE ZAHLEN - 0810821



Zack Marker strip, flat, Strip, white, labeled, printed horizontally: consecutive numbers 2 ... 20, 22 ... 40, etc. up to 82 ... 100, mounting type: snap into flat marker groove, for terminal block width: 5 mm, lettering field size: 5.15 x 5.15 mm, Number of individual labels: 10

Zack Marker strip, flat - ZBF 5,LGS:UNGERADE ZAHLEN - 0810863



Zack Marker strip, flat, Strip, white, labeled, printed horizontally: Odd numbers 1 - 19, 21 - 39, etc. up to 81 - 99, mounting type: snap into flat marker groove, for terminal block width: 5 mm, lettering field size: 5.15 x 5.15 mm, Number of individual labels: 10

Zack Marker strip, flat - ZBF 5,QR:FORTL.ZAHLEN - 0808697



Zack Marker strip, flat, Strip, white, labeled, Printed vertically: consecutive numbers 1 ... 10, 11 ... 20, etc. up to 91 ... 100, mounting type: snap into flat marker groove, for terminal block width: 5 mm, lettering field size: 5.15 x 5.15 mm, Number of individual labels: 10

Marker pen

Marker pen - X-PEN 0,35 - 0811228



Marker pen without ink cartridge, for manual labeling of markers, labeling extremely wipe-proof, line thickness 0.35 mm

Terminal marking

Surge protection plug - PT 2X1-VF-230AC-ST - 2921365

Accessories

Zack Marker strip, flat - ZBF 5:UNBEDRUCKT - 0808642



Zack Marker strip, flat, Strip, white, unlabeled, can be labeled with: PLOTMARK, CMS-P1-PLOTTER, mounting type: snap into flat marker groove, for terminal block width: 5 mm, lettering field size: 5.1 x 5.2 mm, Number of individual labels: 10

Zack Marker strip, flat - ZBF 5/WH-100:UNBEDRUCKT - 0808668



Zack Marker strip, flat, Strip, white, unlabeled, can be labeled with: CMS-P1-PLOTTER, PLOTMARK, mounting type: snap into flat marker groove, for terminal block width: 5 mm, lettering field size: 5.15 x 5.15 mm, Number of individual labels: 10

Necessary add-on products

Type 3 surge protection base element - PT-BE/FM - 2839282



Base element for protective plug PT, for mounting on NS 35/7.5 and NS 35/15, housing width: 17.5 mm

Additional products

Shield connection - SSA 3-6 - 2839295



Shield fast connection for 3 ... 6 mm cable diameter. Potential connecting cable: 200 mm, 1 mm², color: black

Shield connection - SSA 5-10 - 2839512



Shield fast connection for 5 ... 10 mm cable diameter. Potential connecting cable: 200 mm, 1 mm², color: black

Phoenix Contact 2020 © - all rights reserved
<http://www.phoenixcontact.com>

PHOENIX CONTACT GmbH & Co. KG
Flachmarktstr. 8
32825 Blomberg
Germany
Tel. +49 5235 300
Fax +49 5235 3 41200
<http://www.phoenixcontact.com>

X-ON Electronics

Largest Supplier of Electrical and Electronic Components

Click to view similar products for [Surge Suppressors](#) category:

Click to view products by [Phoenix Contact](#) manufacturer:

Other Similar products are found below :

[GUS1](#) [GUS12](#) [BSPM1A600D600LVR](#) [2800521](#) [29-2053](#) [GUS11](#) [GUS2](#) [GUS3](#) [GUS4](#) [30460](#) [SRA64C060X](#) [PC642C015](#) [1810-15-A3](#)
[2713175](#) [4B06B-EC1-150LF](#) [SRA6LC](#) [BPMA75D100LV](#) [CX06M](#) [CCTV1](#) [GUS13](#) [GUS14](#) [GUS5](#) [GUS6](#) [VAL-MS 320/3+0-FM](#) [VAL-US-](#)
[120/40/1+1-FM](#) [VAL-US-120/65/1+1-FM](#) [VAL-US-480D/30/3+0-FM](#) [VAL-US-120/40/1+0-FM](#) [STCHSP121BT1RU](#) [LP-BFDN-CW](#) [LP-](#)
[STRL-NFF](#) [LP-STRL-DFE](#) [GUS22](#) [0804111](#) [5053609](#) [5053201](#) [SPD2-150-1P0](#) [SPD2-550-1P0](#) [6720005416](#) [6720005417](#) [1-2191595-2](#)
[STC-CAT6-P0E-I](#) [SPD2-350-1P0](#) [FLT-CP-350-ST](#) [TTC-6P-3-HF-F-M-12DC-UT-I](#) [SMTPA200](#) [2800989](#) [2906776](#) [2906810](#) [2906847](#)