

Power/input isolating amplifier - MACX MCR-EX-SL-RPSSI-I-SP - 2924016

Please be informed that the data shown in this PDF Document is generated from our Online Catalog. Please find the complete data in the user's documentation. Our General Terms of Use for Downloads are valid (<http://phoenixcontact.com/download>)



Ex i repeater power supply and input signal conditioner, HART. Transmits supplied or active 0/4 - 20 mA signals from the hazardous area to a load (active or passive) in the safe area. 3-way electrical isolation; SIL 2 according to IEC 61508, with push-in connection

Your advantages

- ✓ 0/4 mA ... 20 mA input, intrinsically safe, [Ex ia], powered and not powered
- ✓ Measuring transducer supply voltage > 16 V
- ✓ 0/4 mA ... 20 mA output, active up to 1000 Ω load or passive
- ✓ Bidirectional HART signal transmission
- ✓ Error indication according to NAMUR NE 43
- ✓ SIL 2 according to IEC 61508/EN 61508
- ✓ Installation in Ex zone 2 permitted
- ✓ 3-way electrical isolation
- ✓ Power supply possible via DIN rail connector
- ✓ Plug-in connection terminals, push-in connection technology
- ✓ Housing width: 12.5 mm
- ✓ Minimal power dissipation
- ✓ High transmission accuracy



Key Commercial Data

| | |
|--------------|---------------|
| Packing unit | 1 pc |
| GTIN | |
| GTIN | 4046356338066 |

Technical data

Note

| | |
|-------------------------|---|
| Utilization restriction | EMC: class A product, see manufacturer's declaration in the download area |
|-------------------------|---|

Power/input isolating amplifier - MACX MCR-EX-SL-RPSSI-I-SP - 2924016

Technical data

Dimensions

| | |
|--------|----------|
| Width | 12.5 mm |
| Height | 116.8 mm |
| Depth | 113.7 mm |

Ambient conditions

| | |
|---|---|
| Ambient temperature (operation) | -20 °C ... 60 °C (Any mounting position) |
| Ambient temperature (storage/transport) | -40 °C ... 80 °C |
| Maximum altitude | ≤ 2000 m |
| Permissible humidity (operation) | 10 % ... 95 % (non-condensing) |
| Degree of protection | IP20 (not assessed by UL) |
| Noise immunity | EN 61000-6-2 When being exposed to interference, there may be minimal deviations. |

Input data

| | |
|-----------------------------------|--|
| Signal input | Active current input, intrinsically safe |
| Current input signal | 4 mA ... 20 mA |
| Transmitter supply voltage | > 16 V (20 mA) |
| | > 15.3 V (22.5 mA) |
| Underload/overload signal range | 0 mA ... 24 mA (Extended transmission range for diagnostics) |
| Polarization and surge protection | Yes |
| Signal input | Passive current input, intrinsically safe |
| Current input signal | 0 mA ... 20 mA |
| | 4 mA ... 20 mA |
| Voltage drop | < 3.5 V (in input isolating amplifier operation) |
| Underload/overload signal range | 0 mA ... 24 mA (Extended transmission range for diagnostics) |

Output data

| | |
|--|--|
| Signal output | Current output (active and passive) |
| Current output signal | 4 mA ... 20 mA (active) |
| | 4 mA ... 20 mA (14 ... 26 V ext. source voltage) |
| Transmission Behavior | 1:1 to input signal |
| Load/output load current output | < 1000 Ω (20 mA) |
| | < 825 Ω (24 mA) |
| Output ripple | < 20 mV _{rms} |
| Output behavior in the event of an error | 0 mA (Cable break in the input) |
| | ≥ 22.5 mA (Cable short-circuit in the input) |
| Signal output | Current output (active and passive) |
| Current output signal | 0 mA ... 20 mA (active) |
| | 4 mA ... 20 mA (active) |
| | 0 mA ... 20 mA (14 ... 26 V ext. source voltage) |
| | 4 mA ... 20 mA (14 ... 26 V ext. source voltage) |

Power/input isolating amplifier - MACX MCR-EX-SL-RPSSI-I-SP - 2924016

Technical data

Output data

| | |
|--|---|
| Transmission Behavior | 1:1 to input signal |
| Load/output load current output | < 1000 Ω (20 mA) |
| | < 825 Ω (24 mA) |
| Output ripple | < 20 mV _{rms} |
| Output behavior in the event of an error | 0 mA (Cable break in the input) |
| | 0 mA (Cable short-circuit in the input) |

Power supply

| | |
|--------------------------|---|
| Designation | Repeater power supply operation |
| Nominal supply voltage | 24 V DC |
| Supply voltage range | 19.2 V DC ... 30 V DC (24 V DC -20%...+25%) |
| Max. current consumption | < 76 mA (24 V DC / 20 mA / 1000 Ω) |
| Power dissipation | < 1.1 W (24 V DC / 20 mA / 1000 Ω) |
| Power consumption | < 1.8 W (20 mA / 1000 Ω) |
| Designation | Signal conditioner operation |
| Nominal supply voltage | 24 V DC |
| Supply voltage range | 19.2 V DC ... 30 V DC (24 V DC -20%...+25%) |
| Max. current consumption | < 44 mA (24 V DC / 20 mA / 1000 Ω) |
| Power dissipation | < 0.75 W (24 V DC / 20 mA / 1000 Ω) |

Connection data

| | |
|----------------------------------|---|
| Connection method | Push-in connection |
| Stripping length | 8 mm |
| Conductor cross section solid | 0.2 mm ² ... 1.5 mm ² |
| Conductor cross section flexible | 0.2 mm ² ... 1.5 mm ² |
| Conductor cross section AWG | 24 ... 16 |

Connection data 2

| | |
|-----------------|-------------|
| Connection name | Test socket |
| Max. diameter | 2 mm |

General

| | |
|----------------------------------|--|
| No. of channels | 1 |
| Maximum transmission error | < 0.1 % (of final value) |
| Transmission error, typical | < 0.05 % (of final value) |
| Maximum temperature coefficient | < 0.01 %/K |
| Temperature coefficient, typical | < 0.004 %/K |
| Step response (10-90%) | < 200 μs (for jump 4 mA ... 20 mA, load 600 Ω) |
| | < 600 μs (for jump 0 mA ... 20 mA, load 600 Ω) |
| Status display | Green LED (supply voltage) |
| Degree of pollution | 2 |
| Overvoltage category | II |

Power/input isolating amplifier - MACX MCR-EX-SL-RPSSI-I-SP - 2924016

Technical data

General

| | |
|-------------------------------|---|
| Electromagnetic compatibility | Conformance with EMC directive |
| Interference emission | EN 61000-6-4 |
| Housing material | PA 6.6-FR |
| Color | gray |
| Designation | Input/output/power supply |
| | Input/output |
| Electrical isolation | 375 V (Peak value in accordance with IEC/EN 60079-11) |
| Designation | Input/power supply |
| Electrical isolation | 375 V (Peak value in accordance with IEC/EN 60079-11) |

Data communication (bypass)

| | |
|---------------------|------|
| HART function | Yes |
| Protocols supported | HART |

Safety characteristic data

| | |
|--|--|
| Integrity requirement | IEC 61508 - Low demand |
| Equipment type | Type A |
| Safety Integrity Level (SIL) | 2 |
| Safe Failure Fraction (SFF) | 90.7 % |
| λ_{SU} | 4.867×10^{-7} (486.7 FIT) |
| λ_{SD} | 0 |
| λ_{DU} | 5×10^{-8} (50 FIT) |
| λ_{DD} | 0 |
| Probability of a hazardous failure on demand (PFD _{AVG}) | 2.40×10^{-4} (1 year) |
| | 4.76×10^{-4} (2 years) |
| | 7.13×10^{-4} (3 years) |
| | 9.50×10^{-4} (4 years) |
| | 11.9×10^{-4} (5 years) |
| Diagnostic coverage (DC) | DC _S =0 %, DC _D =0 % |
| Integrity requirement | IEC 61508 - High demand |
| Equipment type | Type A |
| Safety Integrity Level (SIL) | 2 |
| Safe Failure Fraction (SFF) | 90.7 % |
| λ_{SU} | 4.867×10^{-7} (486.7 FIT) |
| λ_{DU} | 5×10^{-8} (50 FIT) |
| λ_{DD} | 0 |
| Probability of a hazardous failure per hour (PFH _D) | $4,99 \times 10^{-8}$ |
| Diagnostic coverage (DC) | DC _S =0 %, DC _D =0 % |

Power/input isolating amplifier - MACX MCR-EX-SL-RPSSI-I-SP - 2924016

Technical data

Safety data

| | |
|--------------------------------------|---------------------------------|
| Operation | Repeater power supply operation |
| Max. output voltage U_o | 25.2 V |
| Max. output current I_o | 93 mA |
| Max. output power P_o | 587 mW |
| Group | IIC |
| Max. external inductivity L_o | 2 mH |
| Max. external capacitance C_o | 107 nF |
| Additional text | simple circuit |
| Group | IIB |
| Max. external inductivity L_o | 4 mH |
| Max. external capacitance C_o | 820 nF |
| Additional text | simple circuit |
| Safety-related maximum voltage U_m | 253 V AC (125 V DC) |
| Operation | Signal conditioner operation |
| Input voltage U_i | ≤ 30 V |
| Input current I_i | ≤ 150 mA |
| Max. internal inductance L_i | negligible |
| Max. internal capacitance C_i | negligible |
| Safety-related maximum voltage U_m | 253 V AC (125 V DC) |

EMC data

| | |
|--|--------------------------|
| Designation | Electromagnetic RF field |
| Standards/regulations | EN 61000-4-3 |
| Typical deviation from the measuring range final value | 1 % |
| Designation | Fast transients (burst) |
| Standards/regulations | EN 61000-4-4 |
| Typical deviation from the measuring range final value | 1 % |
| Designation | Conducted interferences |
| Standards/regulations | EN 61000-4-6 |
| Typical deviation from the measuring range final value | 1 % |

Standards and Regulations

| | |
|-------------------------------|-------------------------------------|
| Electromagnetic compatibility | Conformance with EMC directive |
| Noise emission | EN 61000-6-4 |
| Designation | Electromagnetic RF field |
| Standards/regulations | EN 61000-4-3 |
| | EN 61000-4-4 |
| Designation | Conducted interferences |
| Standards/regulations | EN 61000-4-6 |
| Conformance | CE-compliant, additionally EN 61326 |

Power/input isolating amplifier - MACX MCR-EX-SL-RPSSI-I-SP - 2924016

Technical data

Standards and Regulations

| | |
|--------------------|---|
| ATEX | # II (1) G [Ex ia Ga] IIC |
| | # II (1) D [Ex ia Da] IIIC |
| | # II 3 (1) G Ex nA [ia Ga] IIC T4 Gc |
| | # I (M1) [Ex ia Ma] I |
| IECEX | [Ex ia Ga] IIC |
| | [Ex ia Da] IIIC |
| | Ex nA [ia Ga] IIC T4 Gc |
| | [Ex ia Ma] I |
| UL, USA/Canada | UL 61010 Listed |
| | Class I Div 2; IS for Class I, II, III Div 1 |
| DNV GL-Temperature | B |
| DNV GL-Humidity | B |
| DNV GL-Vibration | A |
| DNV GL-EMC | A |
| DNV GL-Enclosure | Required protection according to the Rules shall be provided upon installation on board |
| Group | IIC |
| | IIB |

Conformance/approvals

| | |
|-----------------|---|
| Designation | CE |
| Identification | CE-compliant |
| Additional text | and EN 61326 |
| Designation | ATEX |
| Identification | # II (1) G [Ex ia Ga] IIC |
| | # II (1) D [Ex ia Da] IIIC |
| | # II 3 (1) G Ex nA [ia Ga] IIC T4 Gc |
| | # I (M1) [Ex ia Ma] I |
| Certificate | BVS 08 ATEX E 054X |
| Designation | IECEX |
| Identification | [Ex ia Ga] IIC |
| | [Ex ia Da] IIIC |
| | Ex nA [ia Ga] IIC T4 Gc |
| | [Ex ia Ma] I |
| Certificate | IECEX BVS 08.0016X |
| Designation | UL, USA/Canada |
| Identification | UL 61010 Listed |
| | Class I, Div. 2, Groups A, B, C, D T4 |
| | Class I, Div. 2, Groups IIC, IIB, IIA T4 |
| | Associated apparatus for use in Class I, Division 1, Groups A,B,C,D |

Power/input isolating amplifier - MACX MCR-EX-SL-RPSSI-I-SP - 2924016

Technical data

Conformance/approvals

| | |
|----------------|---|
| | Associated apparatus for use in Class II, Div.1 Groups E,F,D |
| | Associated apparatus for use in Class III, Division 1 |
| | Associated apparatus for use in Class I, Zone 0,1,2, Groups IIC,IIB,IIA |
| Certificate | #, C.D.-No 83104549 |
| Designation | UL, USA/Canada |
| Identification | UL 61010 Listed |
| | Class I Div 2; IS for Class I, II, III Div 1 |
| Certificate | #, C.D.-No 83104549 |
| Designation | Shipbuilding approval |
| Certificate | DNV GL TAA000020C |
| Designation | Safety Integrity Level (SIL, IEC 61508) |
| Identification | 2 |
| Certificate | BVS PB 03/08-2 |
| Designation | KC-s |
| Identification | [Ex ia] IIC/IIB |
| Certificate | 17-KA4BO-0400X |
| Designation | EAC Ex |
| Identification | # [Ex ia Ga] IIC |
| | # [Ex ia Da] IIIC |
| Certificate | RU C-DE.AB72.B.00093/19 |
| Designation | INMETRO |
| Identification | [Ex ia Ga] IIC/IIB |
| | [Ex ia Da] IIIC |
| | Ex nA [ia Ga] IIC/IIB T4 Gc |
| | [Ex ia Ma] I |
| Certificate | DNV 18.0136 X |
| Temperature | B |
| Humidity | B |
| Vibration | A |
| EMC | A |
| Enclosure | Required protection according to the Rules shall be provided upon installation on board |

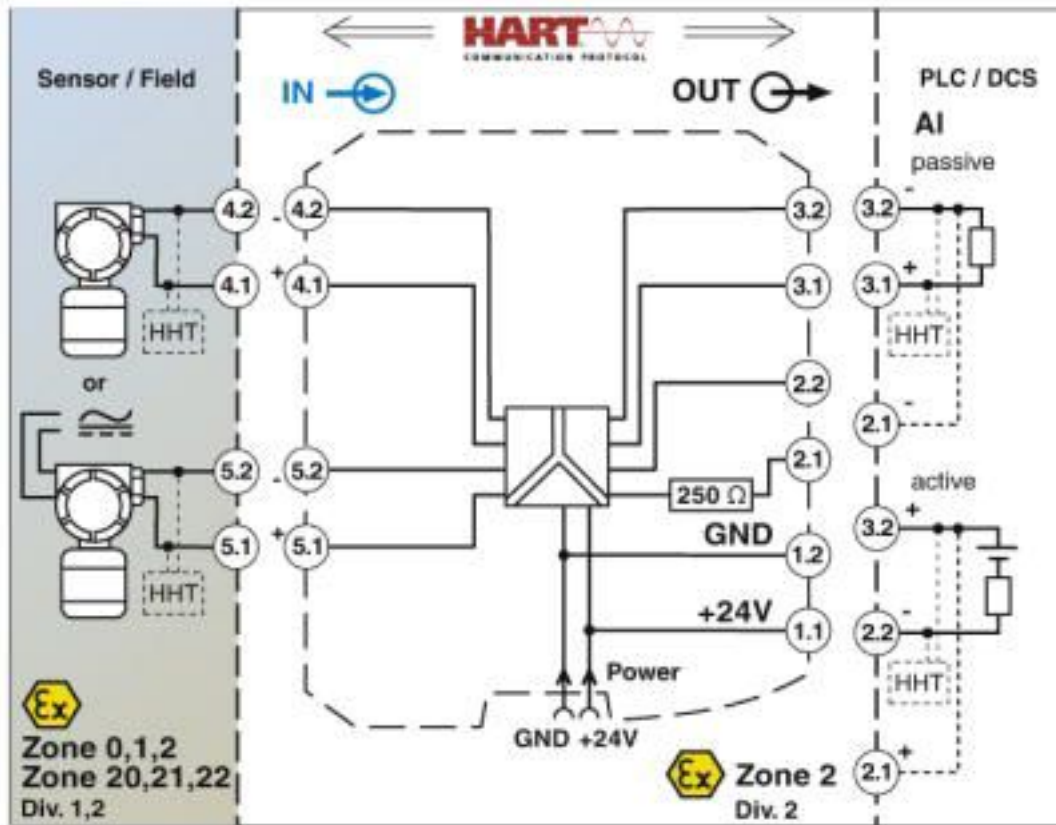
Environmental Product Compliance

| | |
|------------|---|
| REACH SVHC | Lead 7439-92-1 |
| China RoHS | Environmentally Friendly Use Period = 50 years |
| | For details about hazardous substances go to tab "Downloads", Category "Manufacturer's declaration" |

Drawings

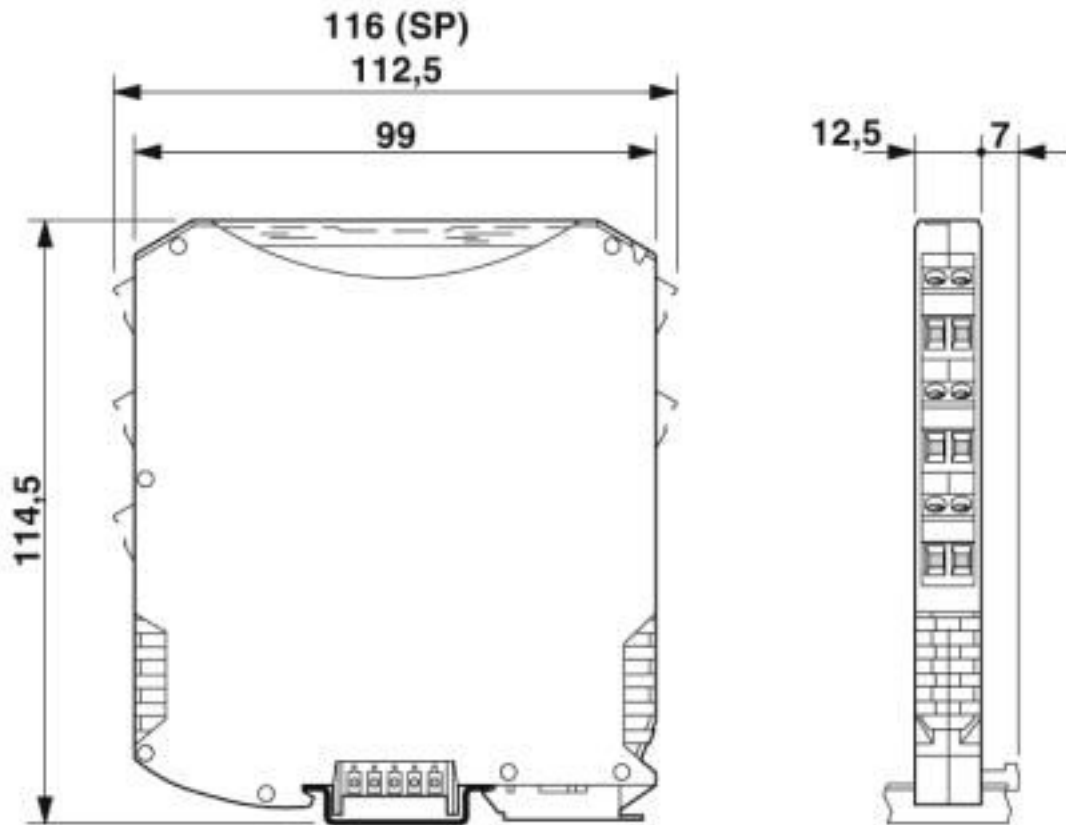
Power/input isolating amplifier - MACX MCR-EX-SL-RPSSI-I-SP - 2924016

Block diagram

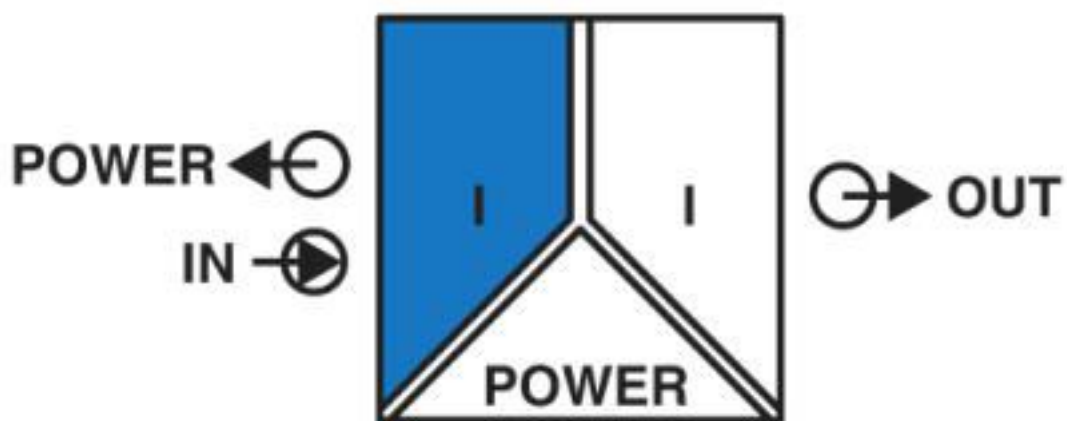


Power/input isolating amplifier - MACX MCR-EX-SL-RPSSI-I-SP - 2924016

Dimensional drawing



Pictogram



Classifications

eCl@ss

| | |
|---------------|----------|
| eCl@ss 10.0.1 | 27210120 |
|---------------|----------|

Power/input isolating amplifier - MACX MCR-EX-SL-RPSSI-I-SP - 2924016

Classifications

eCl@ss

| | |
|------------|----------|
| eCl@ss 4.0 | 27210100 |
| eCl@ss 4.1 | 27210100 |
| eCl@ss 5.0 | 27210100 |
| eCl@ss 5.1 | 27210100 |
| eCl@ss 6.0 | 27210100 |
| eCl@ss 7.0 | 27210120 |
| eCl@ss 8.0 | 27210120 |
| eCl@ss 9.0 | 27210120 |

ETIM

| | |
|----------|----------|
| ETIM 4.0 | EC002653 |
| ETIM 5.0 | EC002653 |
| ETIM 6.0 | EC002653 |
| ETIM 7.0 | EC002653 |

UNSPSC

| | |
|---------------|----------|
| UNSPSC 6.01 | 30211506 |
| UNSPSC 7.0901 | 39121008 |
| UNSPSC 11 | 39121008 |
| UNSPSC 12.01 | 39121008 |
| UNSPSC 13.2 | 39121008 |
| UNSPSC 18.0 | 39121008 |
| UNSPSC 19.0 | 39121008 |
| UNSPSC 20.0 | 39121008 |
| UNSPSC 21.0 | 39121008 |

Approvals

Approvals

Approvals

BV / UL Listed / cUL Listed / Functional Safety / DNV GL / cULus Listed

Ex Approvals

KC-s / IECEx / ATEX / UL Listed / cUL Listed / EAC Ex / cULus Listed

Approval details

Power/input isolating amplifier - MACX MCR-EX-SL-RPSSI-I-SP - 2924016

Approvals

| | | | |
|----|--|---|-------------|
| BV | | http://www.veristar.com/portal/veristarinfo/generalinfo/approved/approvedProducts/equipmentAndMaterials | 39933/B0_BV |
|----|--|---|-------------|

| | | | |
|-----------|--|---|---------------|
| UL Listed | | http://database.ul.com/cgi-bin/XYV/template/LISEXT/1FRAME/index.htm | FILE E 330267 |
|-----------|--|---|---------------|

| | | | |
|------------|--|---|---------------|
| cUL Listed | | http://database.ul.com/cgi-bin/XYV/template/LISEXT/1FRAME/index.htm | FILE E 330267 |
|------------|--|---|---------------|

| | | | |
|-------------------|--|--|--------------|
| Functional Safety | | | BVS Pb 03/08 |
|-------------------|--|--|--------------|

| | | | |
|--------|--|---|------------|
| DNV GL | | https://approvalfinder.dnvgl.com/ | TAA000020C |
|--------|--|---|------------|

| | | | |
|--------------|--|--|--|
| cULus Listed | | | |
|--------------|--|--|--|

Accessories

Accessories

Device marking

Plastic label - UC-EMLP (11X9) - 0819291



Plastic label, Sheet, white, unlabeled, can be labeled with: BLUEMARK ID COLOR, BLUEMARK ID, BLUEMARK CLED, PLOTMARK, CMS-P1-PLOTTER, mounting type: adhesive, lettering field size: 11 x 9 mm, Number of individual labels: 10

Plastic label - UC-EMLP (11X9) YE - 0822602



Plastic label, Sheet, yellow, unlabeled, can be labeled with: BLUEMARK ID COLOR, BLUEMARK ID, BLUEMARK CLED, PLOTMARK, CMS-P1-PLOTTER, mounting type: adhesive, lettering field size: 11 x 9 mm, Number of individual labels: 10

Power/input isolating amplifier - MACX MCR-EX-SL-RPSSI-I-SP - 2924016

Accessories

Plastic label - UC-EMLP (11X9) SR - 0828094



Plastic label, Sheet, silver, unlabeled, can be labeled with: BLUEMARK ID COLOR, BLUEMARK ID, BLUEMARK CLED, PLOTMARK, CMS-P1-PLOTTER, mounting type: adhesive, lettering field size: 11 x 9 mm, Number of individual labels: 10

Plastic label - US-EMLP (11X9) - 0828789



Plastic label, Card, white, unlabeled, can be labeled with: BLUEMARK ID COLOR, BLUEMARK ID, THERMOMARK PRIME, THERMOMARK CARD 2.0, THERMOMARK CARD, mounting type: adhesive, lettering field size: 11 x 9 mm, Number of individual labels: 135

Plastic label - US-EMLP (11X9) YE - 0828871



Plastic label, Card, yellow, unlabeled, can be labeled with: BLUEMARK ID COLOR, BLUEMARK ID, THERMOMARK PRIME, THERMOMARK CARD 2.0, THERMOMARK CARD, mounting type: adhesive, lettering field size: 11 x 9 mm, Number of individual labels: 135

Plastic label - US-EMLP (11X9) SR - 0828872



Plastic label, Card, silver, unlabeled, can be labeled with: BLUEMARK ID COLOR, BLUEMARK ID, THERMOMARK PRIME, THERMOMARK CARD 2.0, THERMOMARK CARD, mounting type: adhesive, lettering field size: 11 x 9 mm, Number of individual labels: 135

Device marker - LS-EMLP (11X9) WH - 0831678



Device marker, Sheet, white, unlabeled, can be labeled with: TOPMARK NEO, TOPMARK LASER, mounting type: adhesive, lettering field size: 11 x 9 mm, Number of individual labels: 255

Power/input isolating amplifier - MACX MCR-EX-SL-RPSSI-I-SP - 2924016

Accessories

Device marker - LS-EMLP (11X9) YE - 0831732

Device marker, Sheet, yellow, unlabeled, can be labeled with: TOPMARK NEO, TOPMARK LASER, mounting type: adhesive, lettering field size: 11 x 9 mm, Number of individual labels: 255



Device marker - LS-EMLP (11X9) SR - 0831705

Device marker, Sheet, silver, unlabeled, can be labeled with: TOPMARK NEO, TOPMARK LASER, mounting type: adhesive, lettering field size: 11 x 9 mm, Number of individual labels: 255



DIN rail connector

DIN rail bus connectors - ME 6,2 TBUS-2 1,5/5-ST-3,81 GN - 2869728

DIN rail connector for DIN rail mounting. Universal for TBUS housing. Gold-plated contacts, 5-pos.



Insulating sleeve

Insulating sleeve - MPS-IH BK - 0201731

Insulating sleeve, color: black



Insulating sleeve - MPS-IH GY - 0201728

Insulating sleeve, color: gray



Power/input isolating amplifier - MACX MCR-EX-SL-RPSSI-I-SP - 2924016

Accessories

Insulating sleeve - MPS-IH GN - 0201702

Insulating sleeve, color: green



Insulating sleeve - MPS-IH YE - 0201692

Insulating sleeve, color: yellow



Insulating sleeve - MPS-IH BU - 0201689

Insulating sleeve, color: blue



Insulating sleeve - MPS-IH RD - 0201676

Insulating sleeve, color: red



Insulating sleeve - MPS-IH WH - 0201663

Insulating sleeve, color: white



Labeled device marker

Power/input isolating amplifier - MACX MCR-EX-SL-RPSSI-I-SP - 2924016

Accessories

Plastic label - UC-EMLP (11X9) CUS - 0824547



Plastic label, can be ordered: by sheet, white, labeled according to customer specifications, mounting type: adhesive, lettering field size: 11 x 9 mm

Plastic label - UC-EMLP (11X9) YE CUS - 0824548



Plastic label, can be ordered: by sheet, yellow, labeled according to customer specifications, mounting type: adhesive, lettering field size: 11 x 9 mm

Plastic label - UC-EMLP (11X9) SR CUS - 0828098



Plastic label, can be ordered: by sheet, silver, labeled according to customer specifications, mounting type: adhesive, lettering field size: 11 x 9 mm, Number of individual labels: 10

Module carrier

Module carrier - TC-D37SUB-ADIO16-EX-P-UNI - 2924854



Universal termination carrier for connecting 16 MACX Analog Ex i signal conditioners to digital or analog I/O cards, via D-SUB connector, 37-pos. (1:1 connection)

Module carrier - TC-D37SUB-AIO16-EX-PS-UNI - 2902932



Universal termination carrier for connecting 16 MACX Analog Ex i signal conditioners to digital or analog I/O cards, via D-SUB connector, 37-pos. (1:1 connection), with HART multiplexer connection

Power module

Power/input isolating amplifier - MACX MCR-EX-SL-RPSSI-I-SP - 2924016

Accessories

Power and error message module - MACX MCR-PTB - 2865625



Power and fault signaling module with screw connection, including corresponding ME 17,5 TBUS 1,5/ 5-ST-3,81 GY DIN rail connector

Power and error message module - MACX MCR-PTB-SP - 2924184



Power and fault signaling module with Push-in connection, including corresponding ME 17,5 TBUS 1,5/ 5-ST-3,81 GY DIN rail connector

Programming cable

Cable adapter - GW HART USB MODEM - 1003824



USB HART modem cable for communication between a PC and HART devices, cable length: 1m.

Test plug terminal block

Test plugs - MPS-MT - 0201744



Test plugs, with solder connection up to 1 mm² conductor cross section, color: gray

X-ON Electronics

Largest Supplier of Electrical and Electronic Components

Click to view similar products for [DIN Rail Terminal Blocks](#) category:

Click to view products by [Phoenix Contact](#) manufacturer:

Other Similar products are found below :

[00110420202](#) [8WA1011-1BH23](#) [8WA1011-1EF20](#) [91.010](#) [9102100000](#) [91.040](#) [9123140000](#) [9123140001](#) [RBO 5-T-B-HEX](#) [1333564](#) [DP25-GY-ND](#) [1431306](#) [1433306](#) [90.070](#) [91.020](#) [912314](#) [260-301_NR](#) [2757571](#) [280-331](#) [280-560](#) [280-564](#) [281-611/281-542](#) [281-673/281-411](#) [281-994](#) [283-317](#) [283-607](#) [2909798](#) [264-724](#) [264-726](#) [280-530](#) [280-555](#) [280-619](#) [281-610](#) [281-622/281-417](#) [284-317](#) [284-601](#) [2907033](#) [3048496](#) [5542152](#) [35956](#) [USK 10](#) [102510](#) [1025100000](#) [5520682](#) [5607102](#) [EMH 25-ZE30](#) [591620-2](#) [UM 45-SEFE M.NUT BK](#) [1-591651-1](#) [8671050000](#)