

Display module - EMG 22-LED 7S/24 - 2952305

Please be informed that the data shown in this PDF Document is generated from our Online Catalog. Please find the complete data in the user's documentation. Our General Terms of Use for Downloads are valid (<http://phoenixcontact.com/download>)



Indicator module, with 7 red LEDs and common return line, input voltage 24 V DC



Key Commercial Data

Packing unit	10 pc
GTIN	
GTIN	4017918084400

Technical data

Dimensions

Width	22.5 mm
Height	75 mm
Depth	47.5 mm

Ambient conditions

Ambient temperature (operation)	-20 °C ... 45 °C
Ambient temperature (storage/transport)	-40 °C ... 60 °C

General

Input voltage	24 V DC
Current required per light indicator	approx. 3 mA
Status display	7 red LEDs and shared return line
Mounting position	any
Assembly instructions	In rows with zero spacing

Connection data

Connection method	Screw connection
Stripping length	8 mm
Screw thread	M3

Display module - EMG 22-LED 7S/24 - 2952305

Technical data

Connection data

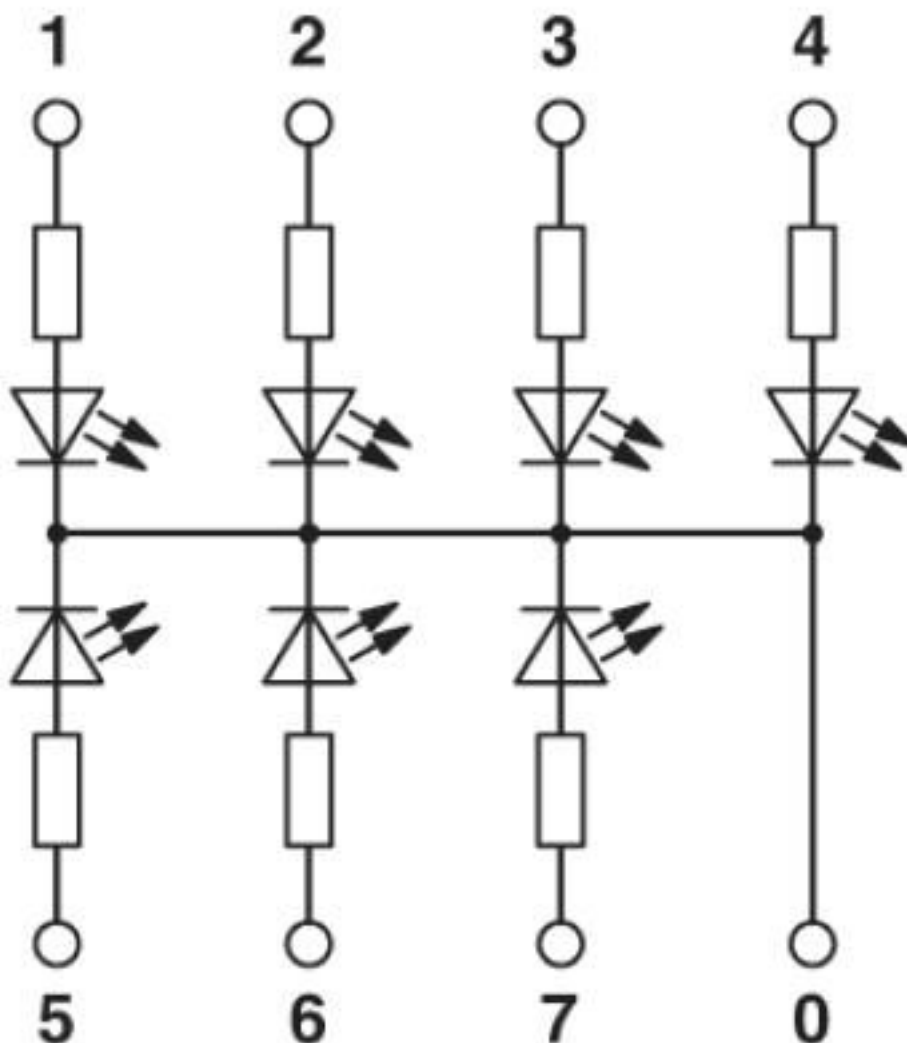
Conductor cross section solid	0.2 mm ² ... 4 mm ²
Conductor cross section flexible	0.2 mm ² ... 2.5 mm ²
Conductor cross section AWG	24 ... 12

Environmental Product Compliance

REACH SVHC	Lead 7439-92-1
China RoHS	Environmentally Friendly Use Period = 50 years
	For details about hazardous substances go to tab "Downloads", Category "Manufacturer's declaration"

Drawings

Circuit diagram



Display module - EMG 22-LED 7S/24 - 2952305

Classifications

eCl@ss

eCl@ss 10.0.1	27110635
eCl@ss 4.0	27210300
eCl@ss 4.1	27210300
eCl@ss 5.0	27110600
eCl@ss 5.1	27210300
eCl@ss 6.0	27110600
eCl@ss 7.0	27110635
eCl@ss 8.0	27110635
eCl@ss 9.0	27110635

ETIM

ETIM 4.0	EC000996
ETIM 5.0	EC000996
ETIM 6.0	EC000996
ETIM 7.0	EC000996

UNSPSC

UNSPSC 6.01	30211506
UNSPSC 7.0901	39121008
UNSPSC 11	39121008
UNSPSC 12.01	39121008
UNSPSC 13.2	39121008
UNSPSC 18.0	39101628
UNSPSC 19.0	39101628
UNSPSC 20.0	39101628
UNSPSC 21.0	39101628

Approvals

Approvals

Approvals


EAC

Ex Approvals

Approval details

Display module - EMG 22-LED 7S/24 - 2952305

Approvals

EAC		RU*DE*08.B.01841/19
-----	---	---------------------

Accessories

Accessories

Marking material - EMG-GKS 12 - 2947035



Device marking label, width: 12 mm, area: 12 x 8 mm, e.g. for EML(10x7) R adhesive marking material

Phoenix Contact 2020 © - all rights reserved
<http://www.phoenixcontact.com>

PHOENIX CONTACT GmbH & Co. KG
Flachsmarktstr. 8
32825 Blomberg
Germany
Tel. +49 5235 300
Fax +49 5235 3 41200
<http://www.phoenixcontact.com>

X-ON Electronics

Largest Supplier of Electrical and Electronic Components

Click to view similar products for [I/O Modules](#) category:

Click to view products by [Phoenix Contact](#) manufacturer:

Other Similar products are found below :

[70L-IDC5S](#) [70L-OAC-L](#) [70Z3289-4](#) [G21960000700](#) [G21960002700](#) [G34960002700](#) [G88104401](#) [OACU](#) [C4SWOUT](#) [PB16H](#)
[G34960001700](#) [G3TA-OA101SZ-1](#) [DC24](#) [G77-S](#) [G78-16-E](#) [5607189](#) [DA5](#) [ODC-24A](#) [IDC5P](#) [FC6A-N16B1](#) [6421](#) [70MRCQ32-HL](#)
[G3TAOD201SDC24](#) [C200H-LK201-V1](#) [G3TA-OA202SZ-US](#) [DC12](#) [GT1-OD16](#) [GT1-AD04CST](#) [B7AM-6BS](#) [70GRCQ24-HS](#) [6422](#)
[84110410](#) [GT1-OD16MX](#) [G7VC-OC16-B7](#) [70MRCK24-DIN](#) [6202](#) [6402](#) [PI/NI-2D/24](#) [FC6A-J2C1](#) [FC6A-KC1C](#) [FC6A-R081](#) [FC6A-](#)
[J8CU1](#) [GP32900003700](#) [641-480-5022](#) [PB16H](#) [84145010](#) [84110210](#) [FRUSB1601](#) [PCL-720+-BE](#) [FRRJ451601](#) [AP24MX3DB25F](#) [ADAM-](#)
[5053S-AE](#)