

Active module - UM-16 RELS/KSR-G24/21/E/MT/PLC - 2962379

Please be informed that the data shown in this PDF Document is generated from our Online Catalog. Please find the complete data in the user's documentation. Our General Terms of Use for Downloads are valid (<http://phoenixcontact.com/download>)




VARIOFACE output extension module, with plug-in bases for 16 miniature relays, 1 PDT each, for 24 V DC, with knife disconnect terminal blocks in the output (without relays)

Your advantages

- LED status indicator and freewheeling diode per signal path
- Polarity protection diode
- Supply voltage indicator (LED)
- Plug-in miniature relays



Key Commercial Data

Packing unit	1 pc
GTIN	 4 017918 087142
GTIN	4017918087142

Technical data

Note

Utilization restriction	EMC: class A product, see manufacturer's declaration in the download area
-------------------------	---

Dimensions

Width	267 mm
Height	112 mm
Depth	52 mm

Ambient conditions

Ambient temperature (operation)	-20 °C ... 50 °C
Ambient temperature (storage/transport)	-20 °C ... 70 °C
Degree of protection	IP00

Input data

Active module - UM-16 RELS/KSR-G24/21/E/MT/PLC - 2962379

Technical data

Input data

Nominal input voltage U_N	24 V DC
Type of protection	Free-wheeling diode
Protective circuit/component	Damping diode
Operating voltage display	Green LED
Status display/channel	Yellow LED

Output data

Contact type	1 PDT
Maximum switching voltage	250 V AC/DC
Limiting continuous current	5 A

General

No. of channels	16
Compatible components	Miniature relay, REL-MR- 24DC/21HC
With components	no
Mechanical service life	3×10^7 cycles
Operating mode	100% operating factor
Mounting position	any
Assembly instructions	In rows with zero spacing
Color	green

Connection data

Connection name	Controller level
Connection method	IDC/FLK pin strip
Number of connections	1
Number of positions	20
Pitch	2.54 mm

Connection data 2

Connection name	Field level
Connection method	Screw connection with disconnect knife
Stripping length	8 mm
Screw thread	M3
Number of connections	48
Conductor cross section solid	0.2 mm ² ... 4 mm ²
Conductor cross section flexible	0.2 mm ² ... 2.5 mm ²
Conductor cross section AWG	24 ... 12

Connection data 3

Connection name	Supply
Connection method	Screw connection with disconnect knife
Stripping length	8 mm
Screw thread	M3

Active module - UM-16 RELS/KSR-G24/21/E/MT/PLC - 2962379

Technical data

Connection data 3

Number of connections	4
Conductor cross section solid	0.2 mm ² ... 4 mm ²
Conductor cross section flexible	0.2 mm ² ... 2.5 mm ²
Conductor cross section AWG	24 ... 12

Connection data 4

Connection name	Connection for basic module
Connection method	IDC/FLK pin strip
Number of connections	1
Number of positions	20
Pitch	2.54 mm

Supported controller

Controller	ALLEN-BRADLEY PLC 5
- suitable I/O card	1771 OBN
Controller	GE-FANUC RX3i
- suitable I/O card	IC694MDL754
Controller	HONEYWELL Experion PKS C200
- suitable I/O card	TC-ODD 321
Controller	MITSUBISHI MELSEC L
- suitable I/O card	LY41PT1P
	LY42PT1P
Controller	MITSUBISHI MELSEC Q
- suitable I/O card	QY82P
Controller	SIEMENS S7-1500
- suitable I/O card	6ES7 522-1BL00-0AB0
	6ES7 522-1BL01-0AB0

Standards and Regulations

Standards/regulations	DIN EN 50178
	IEC 60664
Rated insulation voltage	260 V AC
Rated surge voltage	4 kV (Basic insulation between output contact current paths)
	6 kV (Safe isolation and reinforced insulation between input circuit and output contact paths)
Pollution degree	2
Overvoltage category	III

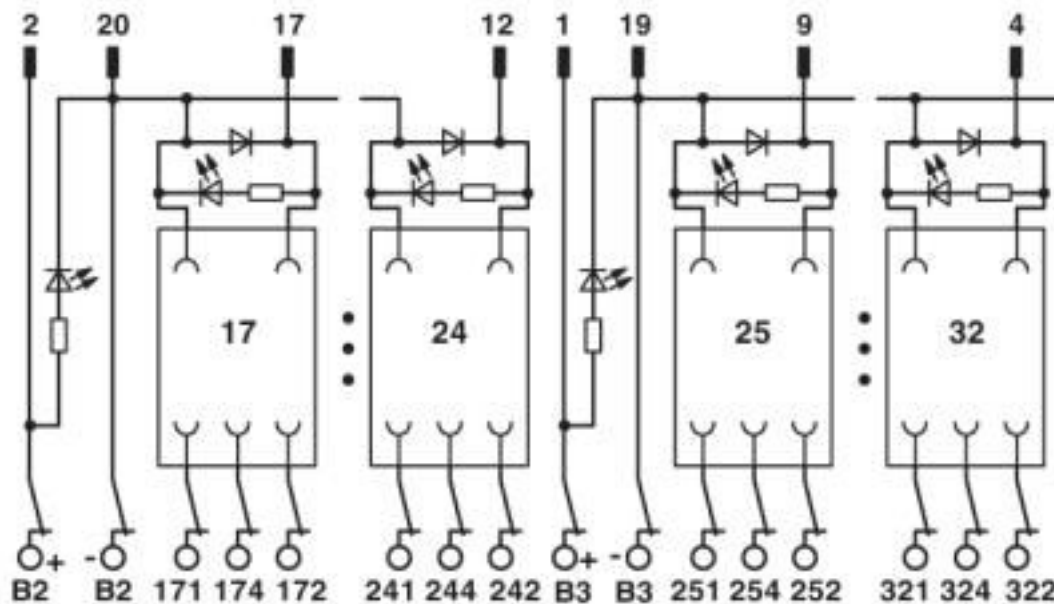
Environmental Product Compliance

REACH SVHC	Lead 7439-92-1
China RoHS	Environmentally Friendly Use Period = 50 years
	For details about hazardous substances go to tab "Downloads", Category "Manufacturer's declaration"

Active module - UM-16 RELS/KSR-G24/21/E/MT/PLC - 2962379

Drawings

Circuit diagram



Classifications

eCl@ss

eCl@ss 10.0.1	27141152
eCl@ss 4.0	27371100
eCl@ss 4.1	27371100
eCl@ss 5.0	27371600
eCl@ss 5.1	27371000
eCl@ss 6.0	27371600
eCl@ss 7.0	27141152
eCl@ss 8.0	27141152
eCl@ss 9.0	27141152

ETIM

ETIM 5.0	EC002780
ETIM 6.0	EC002780
ETIM 7.0	EC002780

UNSPSC

UNSPSC 6.01	30211916
UNSPSC 7.0901	39121515
UNSPSC 11	39121515
UNSPSC 12.01	39121515
UNSPSC 13.2	39122326

Active module - UM-16 RELS/KSR-G24/21/E/MT/PLC - 2962379

Classifications

UNSPSC

UNSPSC 18.0	39121432
UNSPSC 19.0	39121432
UNSPSC 20.0	39121432
UNSPSC 21.0	39121432

Approvals

Approvals

Approvals

EAC

Ex Approvals

Approval details

EAC		RU*DE*08.B.01841/19
-----	--	---------------------

Accessories

Accessories

Retaining bracket

Retaining bracket - SIM-ERSN-HB-MR - 2271471



Retainer, for miniature relay

Single relay

Single relay - REL-MR- 24DC/21HC - 2961312



Plug-in miniature power relay, with power contact for high continuous currents, 1 PDT, input voltage 24 V DC

Active module - UM-16 RELS/KSR-G24/21/E/MT/PLC - 2962379

Accessories

Necessary add-on products

Active module - UM-16 RELS/KSR-G24/21/MT/PLC - 2962382



VARIOFACE output module, with plug-in bases for 16 miniature relays, 1 PDT each, for 24 V DC, with knife disconnect terminal blocks in the output (without relays)

Phoenix Contact 2020 © - all rights reserved
<http://www.phoenixcontact.com>

PHOENIX CONTACT GmbH & Co. KG
Flachsmarktstr. 8
32825 Blomberg
Germany
Tel. +49 5235 300
Fax +49 5235 3 41200
<http://www.phoenixcontact.com>

X-ON Electronics

Largest Supplier of Electrical and Electronic Components

Click to view similar products for [Terminal Block Interface Modules](#) category:

Click to view products by [Phoenix Contact](#) manufacturer:

Other Similar products are found below :

[73-551-6002I](#) [GCN1MX25B](#) [DIN-50P-01](#) [DIN-68H-01](#) [DIN-96DI-01](#) [2291901](#) [2295185](#) [2907794](#) [2M10FCL](#) [FLKM-2I/O](#) [FLKM-4I/O](#)
[2281759](#) [2906251](#) [2907808](#) [5601749](#) [5541962](#) [1776613-1](#) [GCN1-004A](#) [ADAM-3920R-AE](#) [060-6827-06](#) [2311030](#) [2287708](#) [XW2C-20G6-](#)
[IO16](#) [GCN1-T](#) [MACX](#) [MCR-VAC](#) [5775235](#) [ADAM-3956-BE](#) [XW6T-COM2.5X20YL](#) [XW6T-COM1.5X8BL](#) [XW6T-COM1.5X16BL](#)
[XW6T-COM1.5X20YL](#) [XW6T-COM1.5X16YL](#) [XW6T-COM1.5X20RD](#) [XW6T-COM1.5X20BL](#) [XW6T-COM2.5X8BL](#) [1976610000](#) [UM](#)
[45-D50SUB/B/ZFKDS](#) [5541234](#) [410-261](#) [902056](#) [2906243](#) [2906915](#) [2907706](#) [ADAM-3909-AE](#) [ADAM-3920-AE](#) [ADAM-3925-AE](#)
[ADAM-3937-BE](#) [ADAM-3950-AE](#) [ADAM-3951-BE](#) [ADAM-3968-AE](#)