

Active module - UM 45-16RM/MR-G24/1/PLC - 2962913

Please be informed that the data shown in this PDF Document is generated from our Online Catalog. Please find the complete data in the user's documentation. Our General Terms of Use for Downloads are valid (<http://phoenixcontact.com/download>)




VARIOFACE COMPACT LINE, output module with 16 miniature relays, 1 N/O contact each, plugged, for 24 V DC (incl. relay)

Your advantages

- ✓ Low depth of just 45 mm
- ✓ Universal applications from 1 mA to 3 A continuous current thanks to 2-layer double contact with hard gold plating
- ✓ Freewheeling and polarity protection diode for each signal path
- ✓ Plug-in miniature relays each with an N/O contact



Key Commercial Data

| | |
|--------------|---|
| Packing unit | 1 pc |
| GTIN |  4 017918 087517 |
| GTIN | 4017918087517 |

Technical data

Note

| | |
|-------------------------|---|
| Utilization restriction | EMC: class A product, see manufacturer's declaration in the download area |
|-------------------------|---|

Dimensions

| | |
|--------|---------|
| Width | 214 mm |
| Height | 45 mm |
| Depth | 50.5 mm |

Ambient conditions

| | |
|---|------------------|
| Ambient temperature (operation) | -20 °C ... 50 °C |
| Ambient temperature (storage/transport) | -20 °C ... 70 °C |
| Degree of protection | IP00 |

Input data

Active module - UM 45-16RM/MR-G24/1/PLC - 2962913

Technical data

Input data

| | |
|---|-----------------------------|
| Nominal input voltage U_N | 24 V DC |
| Input voltage range in reference to U_N | 0.8 ... 1.1 |
| Typical input current at U_N | 6.5 mA |
| Typical response time | 5 ms |
| Typical release time | 15 ms |
| Type of protection | Free-wheeling diode |
| Protective circuit/component | Damping diode |
| Type of protection | Reverse polarity protection |
| Protective circuit/component | Polarity protection diode |
| Operating voltage display | Green LED |
| Status display/channel | Yellow LED |

Output data

| | |
|---------------------------------------|----------------------------------|
| Contact type | 1 N/O contact |
| Contact material | AgNi, 5 μ m hard gold-plated |
| Maximum switching voltage | 250 V AC |
| | 125 V DC |
| Minimum switching voltage | 5 V |
| Limiting continuous current | 3 A |
| Maximum inrush current | 5 A |
| Min. switching current | 1 mA |
| Interrupting rating (ohmic load) max. | 72 W (24 V DC) |
| | 60 W (48 V DC) |
| | 50 W (60 V DC) |
| | 50 W (110 V DC) |
| | 750 VA (250 V AC) |

General

| | |
|-------------------------|--------------------------------|
| No. of channels | 16 |
| | 32 |
| Compatible components | Miniature relay, REL-MR-G 24/1 |
| With components | yes |
| Mechanical service life | 2×10^7 cycles |
| Operating mode | 100% operating factor |
| Mounting position | any |
| Assembly instructions | In rows with zero spacing |
| Color | green |

Connection data

| | |
|-----------------------|-------------------|
| Connection name | Controller level |
| Connection method | IDC/FLK pin strip |
| Number of connections | 1 |

Active module - UM 45-16RM/MR-G24/1/PLC - 2962913

Technical data

Connection data

| | |
|---------------------|---------|
| Number of positions | 50 |
| Pitch | 2.54 mm |

Connection data 2

| | |
|----------------------------------|--|
| Connection name | Field level |
| Connection method | Screw connection |
| Stripping length | 8 mm |
| Screw thread | M3 |
| Number of connections | 36 |
| Number of positions | 3 |
| Conductor cross section solid | 0.14 mm ² ... 1.5 mm ² |
| Conductor cross section flexible | 0.14 mm ² ... 1.5 mm ² |
| Conductor cross section AWG | 26 ... 14 |

Connection data 3

| | |
|----------------------------------|--|
| Connection name | Supply |
| Connection method | Screw connection |
| Stripping length | 6 mm |
| Screw thread | M3 |
| Number of connections | 2 |
| Number of positions | 2 |
| Conductor cross section solid | 0.14 mm ² ... 1.5 mm ² |
| Conductor cross section flexible | 0.14 mm ² ... 1.5 mm ² |
| Conductor cross section AWG | 26 ... 16 |

Connection data 4

| | |
|-----------------------|-----------------------------|
| Connection name | Connection for basic module |
| Connection method | IDC/FLK pin strip |
| Number of connections | 1 |
| Number of positions | 20 |
| Pitch | 2.54 mm |

Supported controller

| | |
|---------------------|-----------------------------|
| Controller | SIEMENS S7-400 |
| - suitable I/O card | 6ES7 422-1BL00-0AA0 |
| | 6ES7 422-7BL00-0AB0 |
| Controller | ALLEN-BRADLEY ControlLogix |
| - suitable I/O card | 1756-OB32 |
| Controller | ALLEN-BRADLEY PLC 5 |
| - suitable I/O card | 1771 OBN |
| Controller | HONEYWELL Experion PKS C200 |
| - suitable I/O card | TC-ODD 321 |
| Controller | MITSUBISHI MELSEC L |

Active module - UM 45-16RM/MR-G24/1/PLC - 2962913

Technical data

Supported controller

| | |
|---------------------|--|
| - suitable I/O card | LY41PT1P |
| | LY42PT1P |
| Controller | MITSUBISHI MELSEC Q |
| - suitable I/O card | QY81P |
| | QY82P |
| Controller | Schneider Electric Modicon TSX QUANTUM |
| - suitable I/O card | DDO 353 |
| Controller | SIEMENS S7-300 / ET 200 M |
| - suitable I/O card | 6ES7 322-1BL00-0AA0 |
| Controller | GE-FANUC RX3i |
| - suitable I/O card | IC694MDL754 |

Standards and Regulations

| | |
|--------------------------|-------------------------|
| Standards/regulations | DIN EN 50178 |
| | IEC 60664 |
| Rated insulation voltage | 260 V AC |
| Rated surge voltage | 4 kV (basic insulation) |
| Pollution degree | 2 |
| Overvoltage category | III |

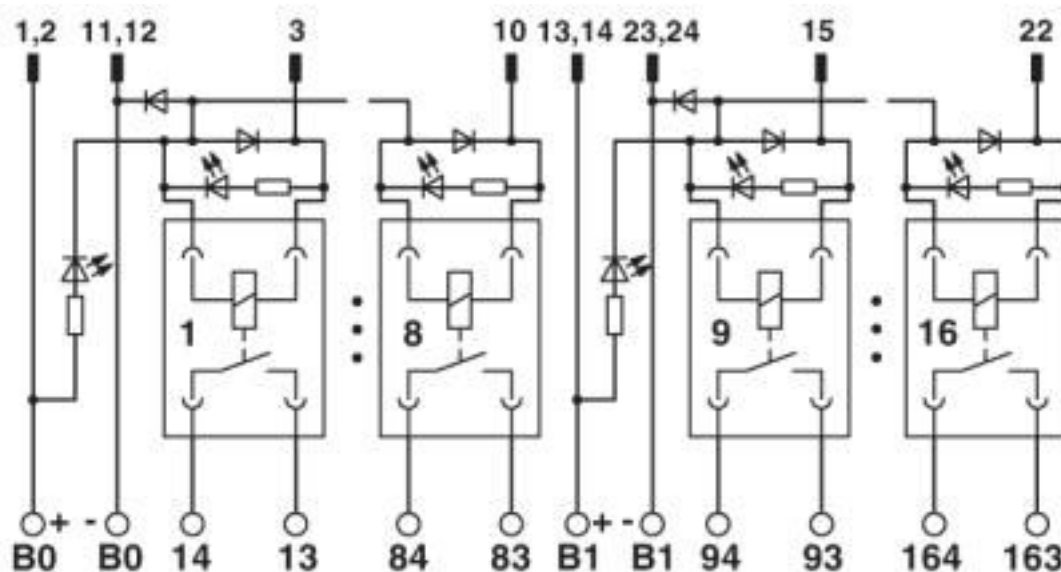
Environmental Product Compliance

| | |
|------------|---|
| REACH SVHC | Cadmium oxide 1306-19-0 |
| China RoHS | Environmentally Friendly Use Period = 50 years |
| | For details about hazardous substances go to tab "Downloads", Category "Manufacturer's declaration" |

Drawings

Active module - UM 45-16RM/MR-G24/1/PLC - 2962913

Circuit diagram



Classifications

eCl@ss

| | |
|---------------|----------|
| eCl@ss 10.0.1 | 27141152 |
| eCl@ss 4.0 | 27371100 |
| eCl@ss 4.1 | 27371100 |
| eCl@ss 5.0 | 27371600 |
| eCl@ss 5.1 | 27371600 |
| eCl@ss 6.0 | 27371600 |
| eCl@ss 7.0 | 27141152 |
| eCl@ss 8.0 | 27141152 |
| eCl@ss 9.0 | 27141152 |

ETIM

| | |
|----------|----------|
| ETIM 5.0 | EC002780 |
| ETIM 6.0 | EC002780 |
| ETIM 7.0 | EC002780 |

UNSPSC

| | |
|---------------|----------|
| UNSPSC 6.01 | 30211916 |
| UNSPSC 7.0901 | 39121515 |
| UNSPSC 11 | 39121515 |
| UNSPSC 12.01 | 39121515 |
| UNSPSC 13.2 | 39122334 |
| UNSPSC 18.0 | 39121432 |
| UNSPSC 19.0 | 39121432 |
| UNSPSC 20.0 | 39121432 |

Active module - UM 45-16RM/MR-G24/1/PLC - 2962913

Classifications

UNSPSC

| | |
|-------------|----------|
| UNSPSC 21.0 | 39121432 |
|-------------|----------|

Approvals

Approvals

Approvals

EAC

Ex Approvals

Approval details

| | | |
|-----|--|---------------------|
| EAC | | RU*DE*08.B.01841/19 |
|-----|--|---------------------|

Accessories

Accessories

Single relay

Single relay - REL-MR-G 24/1 - 2961037



Pluggable replacement miniature relay, 1 N/O contact, input voltage 24 V DC

Additional products

Active module - UM 45-16RM/MR-G24/1/E/PLC - 2962926



VARIOFACE COMPACT LINE, output extension module with 16 miniature relays, 1 N/O contact each, plugged, for 24 V DC (incl. relay)

Phoenix Contact 2020 © - all rights reserved
<http://www.phoenixcontact.com>

PHOENIX CONTACT GmbH & Co. KG
Flachsmarktstr. 8
32825 Blomberg
Germany
Tel. +49 5235 300
Fax +49 5235 3 41200
<http://www.phoenixcontact.com>

X-ON Electronics

Largest Supplier of Electrical and Electronic Components

Click to view similar products for [I/O Modules](#) category:

Click to view products by [Phoenix Contact](#) manufacturer:

Other Similar products are found below :

[70L-IDC5S](#) [70L-OAC-L](#) [70Z3289-4](#) [G21960000700](#) [G21960002700](#) [G34960002700](#) [G88104401](#) [OACU](#) [C4SWOUT](#) [PB16H](#)
[G34960001700](#) [G3TA-OA101SZ-1](#) [DC24](#) [G77-S](#) [G78-16-E](#) [5607189](#) [DA5](#) [ODC-24A](#) [IDC5P](#) [FC6A-N16B1](#) [6421](#) [70MRCQ32-HL](#)
[G3TAOD201SDC24](#) [C200H-LK201-V1](#) [G3TA-OA202SZ-US](#) [DC12](#) [GT1-OD16](#) [GT1-AD04CST](#) [B7AM-6BS](#) [70GRCQ24-HS](#) [6422](#)
[84110410](#) [GT1-OD16MX](#) [G7VC-OC16-B7](#) [70MRCK24-DIN](#) [6202](#) [6402](#) [PI/NI-2D/24](#) [FC6A-J2C1](#) [FC6A-KC1C](#) [FC6A-R081](#) [FC6A-](#)
[J8CU1](#) [GP32900003700](#) [641-480-5022](#) [PB16H](#) [84145010](#) [84110210](#) [FRUSB1601](#) [PCL-720+-BE](#) [FRRJ451601](#) [AP24MX3DB25F](#) [ADAM-](#)
[5053S-AE](#)