

## Active module - UM 45-16RM/MR-G24/1/E/PLC - 2962926

Please be informed that the data shown in this PDF Document is generated from our Online Catalog. Please find the complete data in the user's documentation. Our General Terms of Use for Downloads are valid (<http://phoenixcontact.com/download>)




VARIOFACE COMPACT LINE, output extension module with 16 miniature relays, 1 N/O contact each, plugged, for 24 V DC (incl. relay)

### Your advantages

- ✓ Low depth of just 45 mm
- ✓ Universal applications from 1 mA to 3 A continuous current thanks to 2-layer double contact with hard gold plating
- ✓ Freewheeling and polarity protection diode for each signal path
- ✓ LED status indicator per signal path and supply voltage
- ✓ Plug-in miniature relays each with an N/O contact



### Key Commercial Data

Packing unit	1 pc
GTIN	 4 017918 087524
GTIN	4017918087524

### Technical data

#### Note

Utilization restriction	EMC: class A product, see manufacturer's declaration in the download area
-------------------------	---

#### Dimensions

Width	199 mm
Height	45 mm
Depth	48.5 mm

#### Ambient conditions

Ambient temperature (operation)	-20 °C ... 50 °C
Ambient temperature (storage/transport)	-20 °C ... 70 °C
Degree of protection	IP00

# Active module - UM 45-16RM/MR-G24/1/E/PLC - 2962926

## Technical data

### Input data

Nominal input voltage $U_N$	24 V DC
Input voltage range in reference to $U_N$	0.8 ... 1.1
Typical input current at $U_N$	6.5 mA
Typical response time	5 ms
Typical release time	15 ms
Type of protection	Free-wheeling diode
Protective circuit/component	Damping diode
Type of protection	Reverse polarity protection
Protective circuit/component	Polarity protection diode
Operating voltage display	Green LED
Status display/channel	Yellow LED

### Output data

Contact type	1 N/O contact
Contact material	AgNi, 5 $\mu$ m hard gold-plated
Maximum switching voltage	250 V AC
	125 V DC
Minimum switching voltage	5 V
Limiting continuous current	3 A
Maximum inrush current	5 A
Min. switching current	1 mA
Interrupting rating (ohmic load) max.	72 W (24 V DC)
	60 W (48 V DC)
	50 W (60 V DC)
	50 W (110 V DC)
	750 VA (250 V AC)
Status display	Yes

### General

No. of channels	16
Compatible components	Miniature relay, REL-MR-G 24/1
With components	yes
Mechanical service life	$2 \times 10^7$ cycles
Operating mode	100% operating factor
Mounting position	any
Assembly instructions	In rows with zero spacing
Color	green

### Connection data

Connection name	Controller level
Connection method	IDC/FLK pin strip
Number of connections	1

# Active module - UM 45-16RM/MR-G24/1/E/PLC - 2962926

## Technical data

### Connection data

Number of positions	20
Pitch	2.54 mm

### Connection data 2

Connection name	Field level
Connection method	Screw connection
Stripping length	6 mm
Screw thread	M3
Number of connections	32
Conductor cross section solid	0.14 mm <sup>2</sup> ... 1.5 mm <sup>2</sup>
Conductor cross section flexible	0.14 mm <sup>2</sup> ... 1.5 mm <sup>2</sup>
Conductor cross section AWG	26 ... 14

### Connection data 3

Connection name	Supply
Connection method	Screw connection
Stripping length	6 mm
Screw thread	M3
Number of connections	2
Number of positions	2
Conductor cross section solid	0.14 mm <sup>2</sup> ... 1.5 mm <sup>2</sup>
Conductor cross section flexible	0.14 mm <sup>2</sup> ... 1.5 mm <sup>2</sup>
Conductor cross section AWG	26 ... 14

### Supported controller

Controller	ALLEN-BRADLEY ControlLogix
- suitable I/O card	1756-OB32
Controller	ALLEN-BRADLEY PLC 5
- suitable I/O card	1771 OBN
Controller	GE-FANUC RX3i
- suitable I/O card	IC694MDL754
Controller	HONEYWELL Experion PKS C200
- suitable I/O card	TC-ODD 321
Controller	MITSUBISHI MELSEC L
- suitable I/O card	LY41PT1P
	LY42PT1P
Controller	MITSUBISHI MELSEC Q
- suitable I/O card	QY82P

### Standards and Regulations

Standards/regulations	DIN EN 50178
	IEC 60664
Rated insulation voltage	260 V AC

# Active module - UM 45-16RM/MR-G24/1/E/PLC - 2962926

## Technical data

### Standards and Regulations

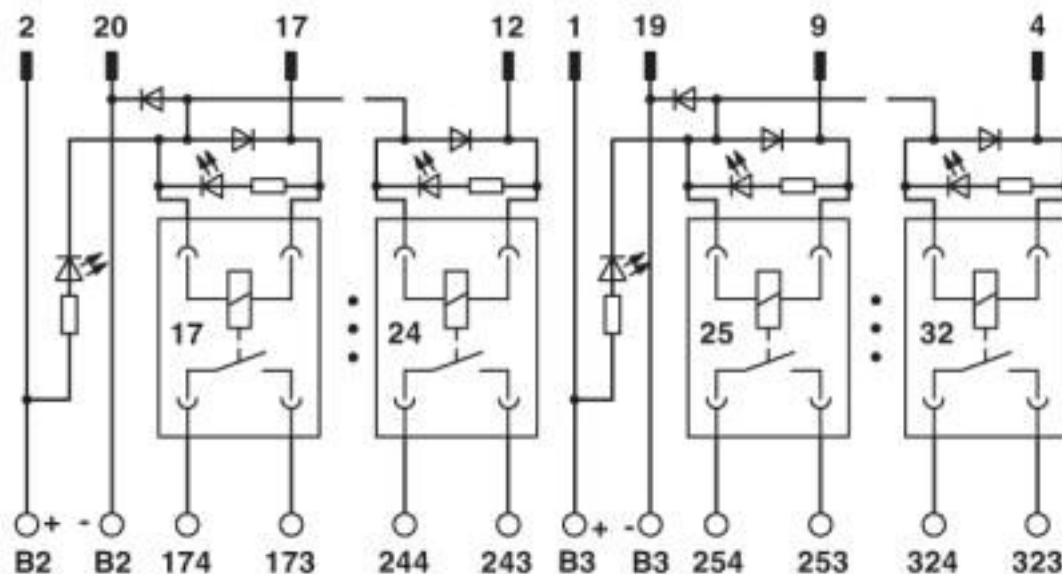
Rated surge voltage	4 kV (basic insulation)
Pollution degree	2
Overvoltage category	III

### Environmental Product Compliance

REACH SVHC	Cadmium oxide 1306-19-0
China RoHS	Environmentally Friendly Use Period = 50 years
	For details about hazardous substances go to tab "Downloads", Category "Manufacturer's declaration"

## Drawings

Circuit diagram



## Classifications

eCl@ss

eCl@ss 10.0.1	27141152
eCl@ss 4.0	27371100
eCl@ss 4.1	27371100
eCl@ss 5.0	27371600
eCl@ss 5.1	27371600
eCl@ss 6.0	27371600
eCl@ss 7.0	27141152
eCl@ss 8.0	27141152
eCl@ss 9.0	27141152

# Active module - UM 45-16RM/MR-G24/1/E/PLC - 2962926

## Classifications

### ETIM

ETIM 5.0	EC002780
ETIM 6.0	EC002780
ETIM 7.0	EC002780

### UNSPSC

UNSPSC 6.01	30211916
UNSPSC 7.0901	39121515
UNSPSC 11	39121515
UNSPSC 12.01	39121515
UNSPSC 13.2	39122334
UNSPSC 18.0	39121432
UNSPSC 19.0	39121432
UNSPSC 20.0	39121432
UNSPSC 21.0	39121432

## Approvals

### Approvals

Approvals

EAC

Ex Approvals

### Approval details

EAC		RU*DE*08.B.01841/19
-----	--	---------------------

## Accessories

### Accessories

#### Single relay

Single relay - REL-MR-G 24/1 - 2961037



Pluggable replacement miniature relay, 1 N/O contact, input voltage 24 V DC

## Active module - UM 45-16RM/MR-G24/1/E/PLC - 2962926

### Accessories

---

#### Necessary add-on products

Active module - UM 45-16RM/MR-G24/1/PLC - 2962913



VARIOFACE COMPACT LINE, output module with 16 miniature relays, 1 N/O contact each, plugged, for 24 V DC (incl. relay)

---

Phoenix Contact 2020 © - all rights reserved  
<http://www.phoenixcontact.com>

PHOENIX CONTACT GmbH & Co. KG  
Flachsmarktstr. 8  
32825 Blomberg  
Germany  
Tel. +49 5235 300  
Fax +49 5235 3 41200  
<http://www.phoenixcontact.com>

## X-ON Electronics

Largest Supplier of Electrical and Electronic Components

*Click to view similar products for [Terminal Block Interface Modules](#) category:*

*Click to view products by [Phoenix Contact](#) manufacturer:*

Other Similar products are found below :

[73-551-6002I](#) [GCN1MX25B](#) [DIN-50P-01](#) [DIN-68H-01](#) [DIN-96DI-01](#) [2291901](#) [2295185](#) [2907794](#) [2M10FCL](#) [FLKM-2I/O](#) [FLKM-4I/O](#)  
[2281759](#) [2906251](#) [2907808](#) [5601749](#) [5541962](#) [1776613-1](#) [GCN1-004A](#) [ADAM-3920R-AE](#) [060-6827-06](#) [2311030](#) [2287708](#) [XW2C-20G6-](#)  
[IO16](#) [GCN1-T](#) [MACX](#) [MCR-VAC](#) [5775235](#) [ADAM-3956-BE](#) [XW6T-COM2.5X20YL](#) [XW6T-COM1.5X8BL](#) [XW6T-COM1.5X16BL](#)  
[XW6T-COM1.5X20YL](#) [XW6T-COM1.5X16YL](#) [XW6T-COM1.5X20RD](#) [XW6T-COM1.5X20BL](#) [XW6T-COM2.5X8BL](#) [1976610000](#) [UM](#)  
[45-D50SUB/B/ZFKDS](#) [5541234](#) [410-261](#) [2906243](#) [2906915](#) [2907706](#) [ADAM-3909-AE](#) [ADAM-3920-AE](#) [ADAM-3925-AE](#) [ADAM-3937-](#)  
[BE](#) [ADAM-3950-AE](#) [ADAM-3951-BE](#) [ADAM-3968-AE](#) [ADAM-3968/50-AE](#)