

Socket - SD-D/SC/LA/YE - 2963404


Please be informed that the data shown in this PDF Document is generated from our Online Catalog. Please find the complete data in the user's documentation. Our General Terms of Use for Downloads are valid (<http://phoenixcontact.com/download>)



Control cabinet socket, for mounting on DIN rails and in the service interface, with LED, housing color: yellow, with screw connection, national version: Germany, housing width 45 mm



Key Commercial Data

Packing unit	5 pc
GTIN	 4 017918 574222
GTIN	4017918574222

Technical data

Dimensions

Width	45 mm
Height	75 mm
Depth	65.2 mm

Ambient conditions

Ambient temperature (operation)	-20 °C ... 60 °C
Ambient temperature (storage/transport)	-20 °C ... 60 °C

General

Nominal voltage U_N	250 V AC
Nominal current I_N	16 A
Status display	Glow lamp or LED with preresistor
Contact material	CuZn37
For country-specific use in	D
Color	yellow
Insulating material	PA
Standards/regulations	IEC 83
	DIN 49440-1

Socket - SD-D/SC/LA/YE - 2963404

Technical data

Connection data

Conductor cross section solid min.	0.2 mm ²
Conductor cross section solid max.	4 mm ²
Conductor cross section flexible min.	0.2 mm ²
Conductor cross section flexible max.	2.5 mm ²
Conductor cross section AWG min.	24
Conductor cross section AWG max.	12
Connection method	Screw connection
Stripping length	8 mm
Screw thread	M3

Standards and Regulations

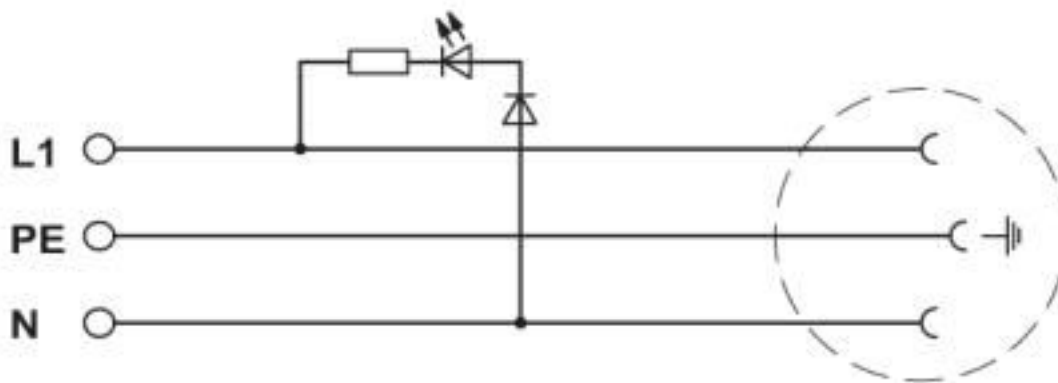
Standards/regulations	IEC 83
	DIN 49440-1

Environmental Product Compliance

China RoHS	Environmentally Friendly Use Period = 50 years
	For details about hazardous substances go to tab "Downloads", Category "Manufacturer's declaration"

Drawings

Circuit diagram



Classifications

eCl@ss

eCl@ss 4.0	27142300
eCl@ss 4.1	27142300
eCl@ss 5.0	27142300
eCl@ss 5.1	27142300
eCl@ss 6.0	27142300
eCl@ss 7.0	27142305

Socket - SD-D/SC/LA/YE - 2963404

Classifications

eCl@ss

eCl@ss 8.0	27142305
eCl@ss 9.0	27142305

ETIM

ETIM 2.0	EC001325
ETIM 3.0	EC001325
ETIM 4.0	EC001663
ETIM 5.0	EC001663
ETIM 6.0	EC001663
ETIM 7.0	EC001663

UNSPSC

UNSPSC 6.01	30211806
UNSPSC 7.0901	39121406
UNSPSC 11	39121406
UNSPSC 12.01	39121406
UNSPSC 13.2	39121406
UNSPSC 19.0	39121406

Phoenix Contact 2020 © - all rights reserved
<http://www.phoenixcontact.com>

PHOENIX CONTACT GmbH & Co. KG
Flachsmarktstr. 8
32825 Blomberg
Germany
Tel. +49 5235 300
Fax +49 5235 3 41200
<http://www.phoenixcontact.com>

X-ON Electronics

Largest Supplier of Electrical and Electronic Components

Click to view similar products for [DIN Rail Terminal Blocks](#) category:

Click to view products by [Phoenix Contact](#) manufacturer:

Other Similar products are found below :

[00110420202](#) [8WA1011-1BH23](#) [8WA1011-1EF20](#) [91.010](#) [9102100000](#) [91.040](#) [9123140000](#) [9123140001](#) [RBO 5-T-B-HEX](#) [1333564](#) [DP25-GY-ND](#) [1431306](#) [1433306](#) [90.070](#) [91.020](#) [912314](#) [260-301_NR](#) [2757571](#) [280-331](#) [280-560](#) [280-564](#) [281-611/281-542](#) [281-673/281-411](#) [281-994](#) [283-317](#) [283-607](#) [2909798](#) [264-724](#) [264-726](#) [280-530](#) [280-555](#) [280-619](#) [281-610](#) [281-622/281-417](#) [284-317](#) [284-601](#) [2907033](#) [3048496](#) [5542152](#) [35956](#) [USK 10](#) [102510](#) [1025100000](#) [5520682](#) [5607102](#) [EMH 25-ZE30](#) [591620-2](#) [UM 45-SEFE M.NUT BK](#) [1-591651-1](#) [8671050000](#)