

# Safety relays - PSR-SPP- 24UC/ESA2/4X1/1X2/B - 2963954

Please be informed that the data shown in this PDF Document is generated from our Online Catalog. Please find the complete data in the user's documentation. Our General Terms of Use for Downloads are valid (<http://phoenixcontact.com/download>)



Safety relay for emergency stop and safety door up to SIL 1, SIL CL 1, Cat. 1, PL c, depending on the application up to SIL 3, SIL CL 3, Cat. 4, PL e, single-channel operation, 4 enabling current paths,  $U_s = 24\text{ V AC/DC}$ , pluggable Push-in terminal block


The figure shows a version with a screw connection

## Your advantages

- Up to Cat. 1/PL c according to ISO 13849-1, SILCL 1 according to IEC 62061, SIL 1 according to IEC 61508
- Depending on the application, up to Cat. 4/PL e according to ISO 13849-1, SILCL 3 according to IEC 62061, SIL 3 according to IEC 61508
- Single-channel control
- Basic insulation



## Key Commercial Data

Packing unit	1 pc
GTIN	 4 017918 904821
GTIN	4017918904821

## Technical data

### Note

Utilization restriction	EMC: class A product, see manufacturer's declaration in the download area
-------------------------	---

### Dimensions

Width	22.5 mm
Height	112 mm
Depth	114.5 mm

### Ambient conditions

Ambient temperature (operation)	-20 °C ... 65 °C (observe derating)
Ambient temperature (storage/transport)	-40 °C ... 70 °C
Max. permissible relative humidity (operation)	75 % (on average, 85% infrequently, non-condensing)

# Safety relays - PSR-SPP- 24UC/ESA2/4X1/1X2/B - 2963954

## Technical data

### Ambient conditions

Max. permissible humidity (storage/transport)	75 % (on average, 85% infrequently, non-condensing)
Maximum altitude	≤ 2000 m (Above sea level)

### Input data

Rated control circuit supply voltage $U_s$	24 V AC/DC -15 % / +10 %
Rated control supply current $I_s$	typ. 140 mA AC
	typ. 65 mA DC
Power consumption at $U_s$	typ. 3.36 W (AC)
	typ. 1.56 W (DC)
Inrush current	2 A ( $\Delta t = 10$ ms at $U_s$ )
	< 40 mA (with $U_s/I_x$ to S34)
Current consumption	< 50 mA (with $U_s/I_x$ to S12)
	0 mA (with $U_s/I_x$ to S34)
Voltage at input/start and feedback circuit	24 V DC -15 % / +10 %
Typical response time	< 65 ms (automatic start)
	< 40 ms (manual start)
Typ. starting time with $U_s$	< 65 ms (when controlled via A1)
Typical release time	< 45 ms (when controlled via S12)
	< 200 ms (when controlled via A1)
Recovery time	< 1 s
Operating voltage display	1 x green LED
Status display	2 x green LEDs
Protective circuit	Surge protection Suppressor diode
	Protection against polarity reversal for rated control circuit supply voltage
Maximum switching frequency	1 Hz
Max. permissible overall conductor resistance	approx. 22 $\Omega$ (Input and start circuits at $U_s$ )
Filter time	2 ms (at A1 in the event of voltage dips at $U_s$ )
	max. 1.5 ms (at S12; test pulse width)
	7.5 ms (at S12; test pulse rate)
	Test pulse rate = 5 x Test pulse width

### Output data

Contact type	4 enabling current paths
	1 signaling current path
Contact material	AgSnO <sub>2</sub>
Maximum switching voltage	250 V AC/DC (Observe the load curve)
Minimum switching voltage	5 V AC/DC
Limiting continuous current	6 A (N/O contact, pay attention to the derating)
	6 A (N/C contact)
Maximum inrush current	20 A ( $\Delta t \# 100$ ms)
Inrush current, minimum	10 mA

## Safety relays - PSR-SPP- 24UC/ESA2/4X1/1X2/B - 2963954

### Technical data

#### Output data

Sq. Total current	72 A <sup>2</sup> (observe derating)
Interrupting rating (ohmic load) max.	144 W (24 V DC, τ = 0 ms)
	288 W (48 V DC, τ = 0 ms)
	110 W (110 V DC, τ = 0 ms)
	88 W (220 V DC, τ = 0 ms)
Maximum interrupting rating (inductive load)	1500 VA (250 V AC, τ = 0 ms)
	42 W (24 V DC, τ = 40 ms)
	42 W (48 V DC, τ = 40 ms)
	42 W (110 V DC, τ = 40 ms)
Switching capacity min.	42 W (220 V DC, τ = 40 ms)
	50 mW
	10x 10 <sup>6</sup> cycles
	4 A (24 V DC)
Switching capacity (360/h cycles)	4 A (230 V AC)
	10 A gL/gG (N/O contact)
Output fuse	6 A gL/gG (N/C contact)

#### General

Relay type	Electromechanical relay with force-guided contacts in accordance with IEC/EN 61810-3
Nominal operating mode	100% operating factor
Net weight	194.38 g
Mounting position	vertical or horizontal
Mounting type	DIN rail mounting
Assembly instructions	See derating curve
Degree of protection	IP20
Min. degree of protection of inst. location	IP54
Housing material	PBT
Housing color	yellow

#### Connection data

Connection method	Push-in connection
pluggable	Yes
Conductor cross section solid	0.2 mm <sup>2</sup> ... 1.5 mm <sup>2</sup>
Conductor cross section flexible	0.2 mm <sup>2</sup> ... 1.5 mm <sup>2</sup>
Conductor cross-section AWG	24 ... 16
Conductor cross-section flexible with ferrule without plastic sleeve	0.25 mm <sup>2</sup> ... 1.5 mm <sup>2</sup> (only together with CRIMPFOX 6)
Conductor cross-section flexible with ferrule and plastic sleeve	0.25 mm <sup>2</sup> ... 1.5 mm <sup>2</sup> (only together with CRIMPFOX 6)
Stripping length	8 mm

#### Safety-related characteristic data

Stop category	0
---------------	---

## Safety relays - PSR-SPP- 24UC/ESA2/4X1/1X2/B - 2963954

### Technical data

#### Safety-related characteristic data

Designation	IEC 61508 - High demand
Safety Integrity Level (SIL)	1 (up to SIL 3 depending on the application)
Designation	IEC 61508 - Low demand
Safety Integrity Level (SIL)	1 (up to SIL 3 depending on the application)
Designation	EN ISO 13849
Performance level (PL)	c (up to PL e depending on the application)
Category	1 (up to Cat. 4 depending on the application)
Designation	EN 62061
Safety Integrity Level Claim Limit (SIL CL)	1 (up to SILCL 3 depending on the application)

#### Standards and Regulations

Designation	Air clearances and creepage distances between the power circuits
Standards/regulations	DIN EN 50178/VDE 0160
Rated insulation voltage	250 V AC
Rated surge voltage/insulation	Basic insulation 4 kV: between all current paths and housing Safe isolation, reinforced insulation 6 kV: between A1/A2 and 13/14, 23/24, 33/34, 43/44 between S11/S12/S33/S34 and 13/14, 23/24, 33/34, 43/44 between 51/52 and 13/14, 23/24, 33/34, 43/44
Degree of pollution	2
Overvoltage category	III
Shock	15g
Vibration (operation)	10 Hz ... 150 Hz, 2g
Conformance	CE-compliant

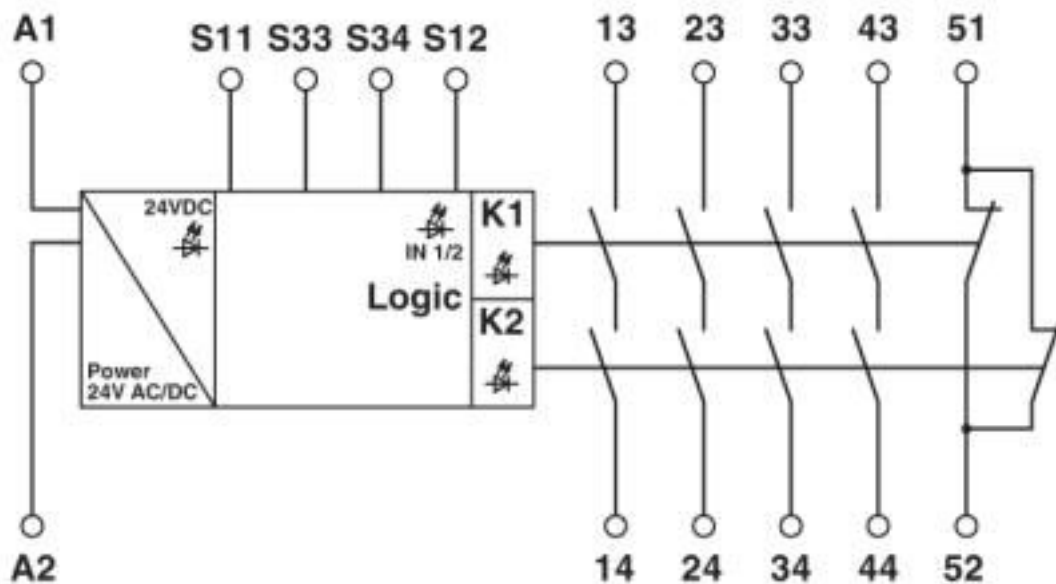
#### Environmental Product Compliance

China RoHS	Environmentally Friendly Use Period = 50 years
	For details about hazardous substances go to tab "Downloads", Category "Manufacturer's declaration"

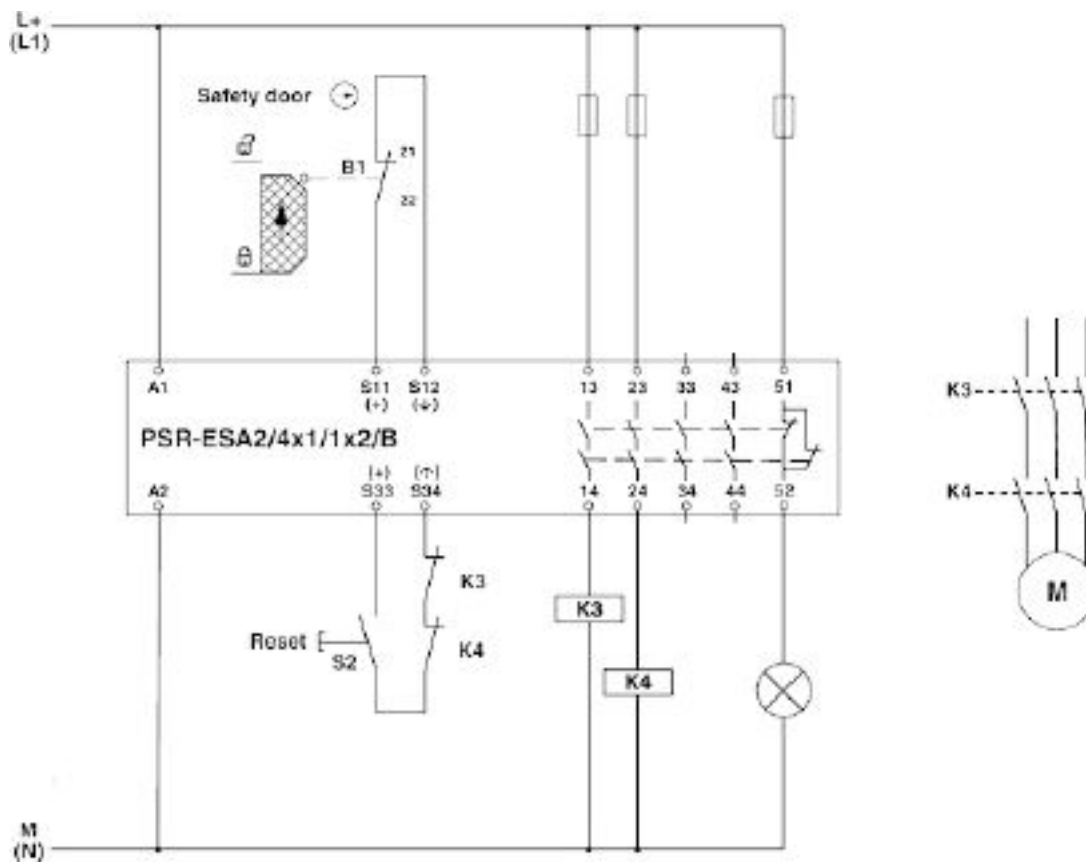
### Drawings

# Safety relays - PSR-SPP- 24UC/ESA2/4X1/1X2/B - 2963954

Circuit diagram



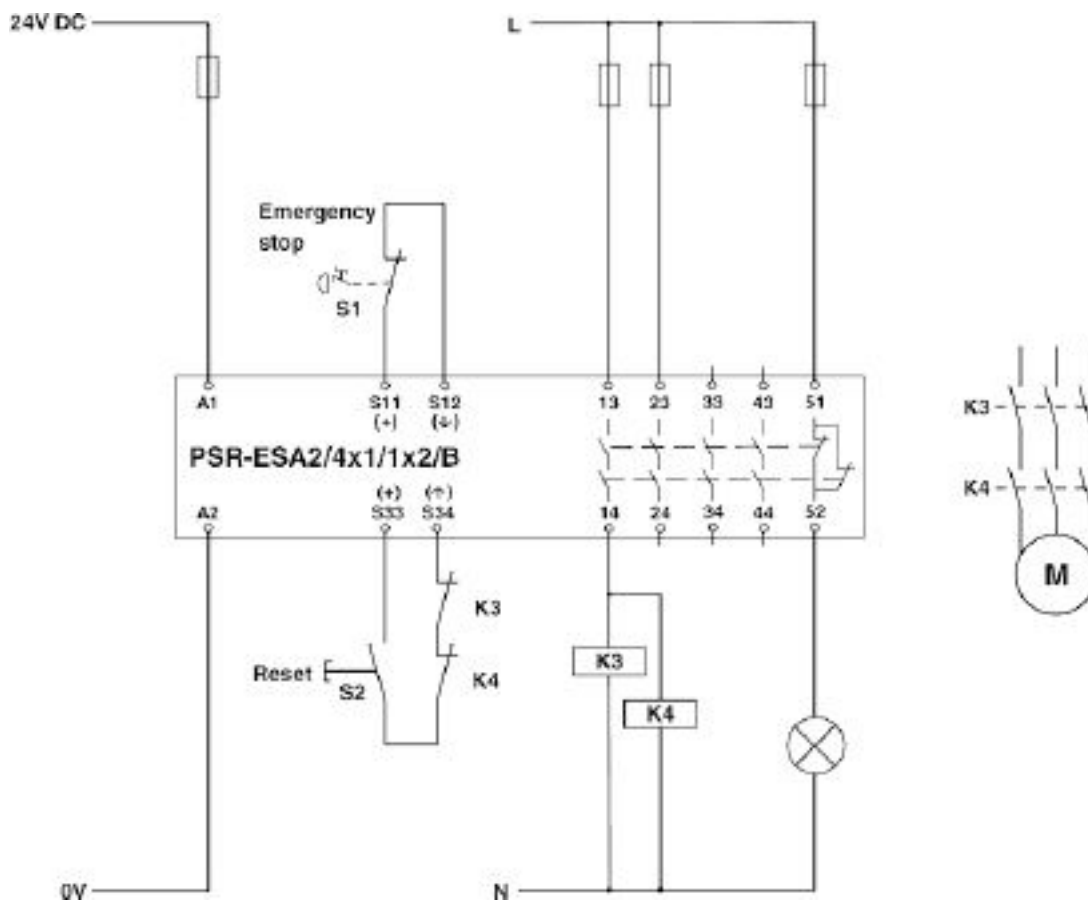
Circuit diagram



Single-channel safety door monitoring

# Safety relays - PSR-SPP- 24UC/ESA2/4X1/1X2/B - 2963954

Circuit diagram



Single-channel emergency stop monitoring

## Classifications

eCl@ss

eCl@ss 10.0.1	27371819
eCl@ss 4.0	40020600
eCl@ss 4.1	40020600
eCl@ss 5.0	27371900
eCl@ss 5.1	27371900
eCl@ss 6.0	27371800
eCl@ss 7.0	27371819
eCl@ss 8.0	27371819
eCl@ss 9.0	27371819

ETIM

ETIM 2.0	EC000196
ETIM 3.0	EC001449
ETIM 4.0	EC001449

# Safety relays - PSR-SPP- 24UC/ESA2/4X1/1X2/B - 2963954

## Classifications

### ETIM

ETIM 5.0	EC001449
ETIM 6.0	EC001449
ETIM 7.0	EC001449

### UNSPSC

UNSPSC 6.01	30211901
UNSPSC 7.0901	39121501
UNSPSC 11	39121501
UNSPSC 12.01	39121501
UNSPSC 13.2	39121501
UNSPSC 18.0	39122205
UNSPSC 19.0	39122205
UNSPSC 20.0	39122205
UNSPSC 21.0	39122205

## Approvals

### Approvals

#### Approvals

UL Listed / cUL Listed / Functional Safety / EAC / EAC / cULus Listed

#### Ex Approvals

### Approval details


UL Listed		<a href="http://database.ul.com/cgi-bin/XYV/template/LISEXT/1FRAME/index.htm">http://database.ul.com/cgi-bin/XYV/template/LISEXT/1FRAME/index.htm</a>	FILE E 140324
-----------	--	---	---------------

cUL Listed		<a href="http://database.ul.com/cgi-bin/XYV/template/LISEXT/1FRAME/index.htm">http://database.ul.com/cgi-bin/XYV/template/LISEXT/1FRAME/index.htm</a>	FILE E 140324
------------	--	---	---------------


Functional Safety			01/205/0653.01/15
-------------------	--	--	-------------------

## Safety relays - PSR-SPP- 24UC/ESA2/4X1/1X2/B - 2963954

### Approvals

EAC		EAC-Zulassung
-----	---	---------------

EAC		RU C- DE.A*30.B.01082
-----	---	--------------------------

cULus Listed		
--------------	---	--

Phoenix Contact 2020 © - all rights reserved  
<http://www.phoenixcontact.com>

PHOENIX CONTACT GmbH & Co. KG  
Flachsmarktstr. 8  
32825 Blomberg  
Germany  
Tel. +49 5235 300  
Fax +49 5235 3 41200  
<http://www.phoenixcontact.com>



## X-ON Electronics

Largest Supplier of Electrical and Electronic Components

*Click to view similar products for [Safety Relays](#) category:*

*Click to view products by [Phoenix Contact](#) manufacturer:*

Other Similar products are found below :

[7-1618103-5](#) [1351-1X](#) [1618082-4](#) [1618111-1](#) [C200HDA003](#) [C200HMR432](#) [C200HMR832](#) [C200HMR833](#) [C28PEDRA](#) [20-050-36X](#)  
[C500ETL01](#) [C500OD415CN](#) [2-1618068-0](#) [9-1618103-2](#) [SP10-ETL01](#) [22-060X](#) [C200HNC112](#) [C200HOD214](#) [C500CN812N](#) [4NK0AQY](#)  
[1100X](#) [1100-42X](#) [V23050A1012A551](#) [6-1618082-4](#) [7-1618103-6](#) [WTD-101X](#) [SP16DRD](#) [SP16DRA](#) [C500-CE243](#) [C500-IDS02-V1](#)  
[607.5111.020](#) [DOLD 48173](#) [CS AR-02V024](#) [CS AR-22V024](#) [CS AR-22V230](#) [CS AR-46V024](#) [750136](#) [PSR-MS21-1NO-1DO-24DC-SC](#)  
[600PSR-165/300-CU](#) [J73KN-AM-22](#) [SR6V6K18](#) [SR4M4005](#) [BPS 36-1](#) [BP34 - 101057553](#) [2TLA010033R3000](#) [2TLA010033R2000](#)  
[2TLA010033R0000](#) [2TLA010028R1000](#) [2TLA010017R0100](#) [2TLA010026R0400](#)